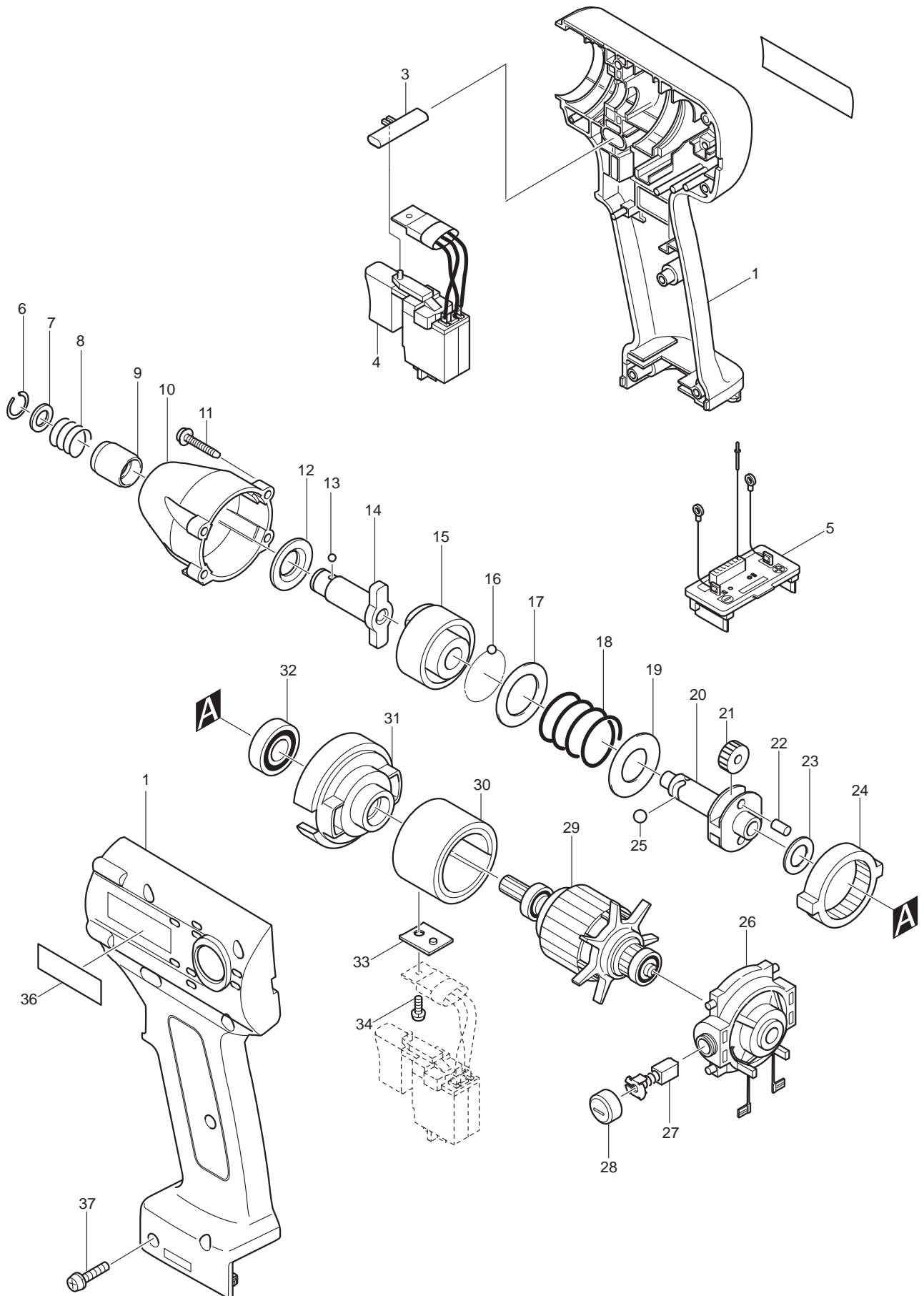




12 - 2010  
BTD040Z  
9.6V IMPACT DRIVER



Item No.	Type	Sub	Part No.	Description	Qty	Unit
1			183256-1	HOUSING SET	1	SET
3			417283-9	F/R CHANGE LEVER	1	PC.
4			650532-3	SWITCH C3LA-1A-SS	1	PC.
5			638016-1	TERMINAL UNIT	1	PC.
		INC.	654037-5	INSULATED TERM. FK1.25-M3	2	PC.
6			231965-7	RING SPRING 10	1	PC.
7			267143-3	FLAT WASHER 11	1	PC.
8			233005-7	COMPRESSION SPRING 13	1	PC.
9			162218-2	SLEEVE	1	PC.
10			152660-5	HAMMER CASE COMPLETE	1	PC.
11	1		911138-5	PAN HEAD SCREW M4X20	4	PC.
	2		911536-3	PAN HEAD SCREW M4X20	4	PC.
12			261117-6	NYLON WASHER 12	1	PC.
13			216019-1	STEEL BALL 3	2	PC.
14			324054-6	ANVIL M	1	PC.
15			324032-6	HAMMER A	1	PC.
16			216019-1	STEEL BALL 3	28	PC.
17			267175-0	FLAT WASHER 24	1	PC.
18			233290-2	COMPRESSION SPRING 24	1	PC.
19			344907-3	SPRING HOLDER	1	PC.
20			324050-4	SPINDLE A	1	PC.
21			227009-9	SPUR GEAR 16	2	PC.
22			268064-2	PIN 3.5	2	PC.
23			267104-3	FLAT WASHER 12	1	PC.
24	1		152772-4	INTERNAL GEAR CASE COM.-N/L/A	1	PC.
		INC.		Item No. 31		
	2		227107-9	INTERNAL GEAR 39 (Use with Item 31 Type 2)	1	PC.
25			216002-8	STEEL BALL 4.8	2	PC.
26			638104-4	ENDBELL COMPLETE	1	PC.
		INC.	654069-2	RECEPTACLE	2	PC.
27			195020-8	CARBON BRUSH CB-434 2PC/SET (W/ ORIGIN)	1	SET
28			643933-2	BRUSH HOLDER CAP	2	PC.
29			619058-4	ARMATURE	1	PC.
30			632966-2	YOKE UNIT	1	PC.
31	1		152772-4	INTERNAL GEAR CASE COM - N/L/A	1	PC.
		INC.		Item No. 24		
	2		417346-1	INTERNAL GEAR CASE (Use with Item 24 Type 2)	1	PC.
32			211136-2	BALL BEARING 6801LLB	1	PC.
33			689096-0	FET SPACER	1	PC.
34			266170-7	TAPPING SCREW ST3X8	1	PC.
36			819063-3	MAKITA LABEL	1	PC.
37	1		911038-9	PAN HEAD SCREW M3X20	6	PC.
	2		265095-2	PAN HEAD SCREW M3X20	6	PC.
E01	1		810220-6	CAUTION LABEL (SP & FR) - N/L/A	1	PC.
	2		892900-6	CAUTION LABEL (SP & FR)	1	PC.

### **ACCESSORIES**

A01			DC14SA	CHARGER DC14SA - N/L/A	1	PC.
			DC24SA	CHARGER DC24SA - N/L/A	1	PC.
			DC24SC	CHARGER DC24SC	1	PC.
A02			193176-1	9.6V NI-MH BATTERY B9017A (BULK) - N/L/A	1	PC.
			193301-4	9.6V NI-MH BATTERY B9017A (PKG) - N/L/A	1	PC.
			193531-7	9.6V NI-MH BATTERY BH9020A	1	PC.
			193536-7	9.6V NI-MH BATTERY BH9033A	1	PC.
A03			193205-0	ADAPTOR ADP01 - N/L/A	1	PC.
			193949-2	ADAPTOR ADP04	1	PC.
A04			193681-8	REFRESHING ADAPTOR ADP03	1	PC.

<b>Item No.</b>	<b>Type</b>	<b>Sub</b>	<b>Part No.</b>	<b>Description</b>	<b>Qty</b>	<b>Unit</b>
A05			417349-5	RUBBER PROTECTOR (CLEAR)	1	PC.
			417834-8	RUBBER PROTECTOR (RED)	1	PC.
			417835-6	RUBBER PROTECTOR (BLUE)	1	PC.