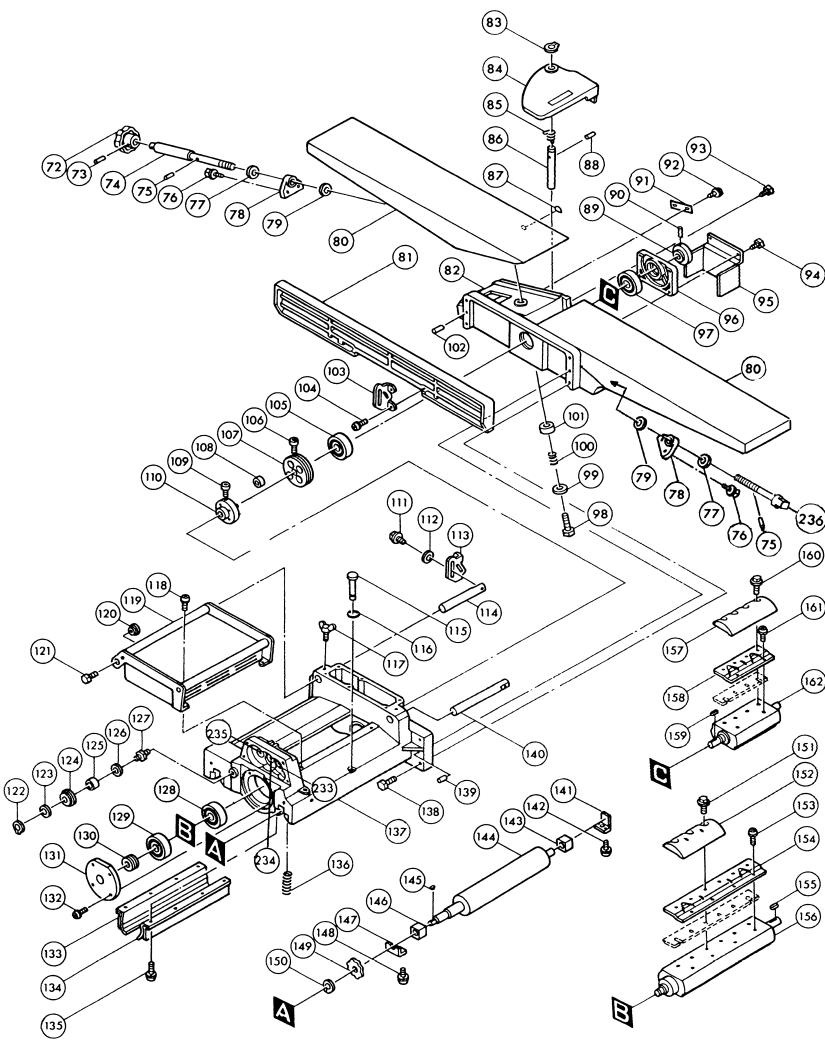


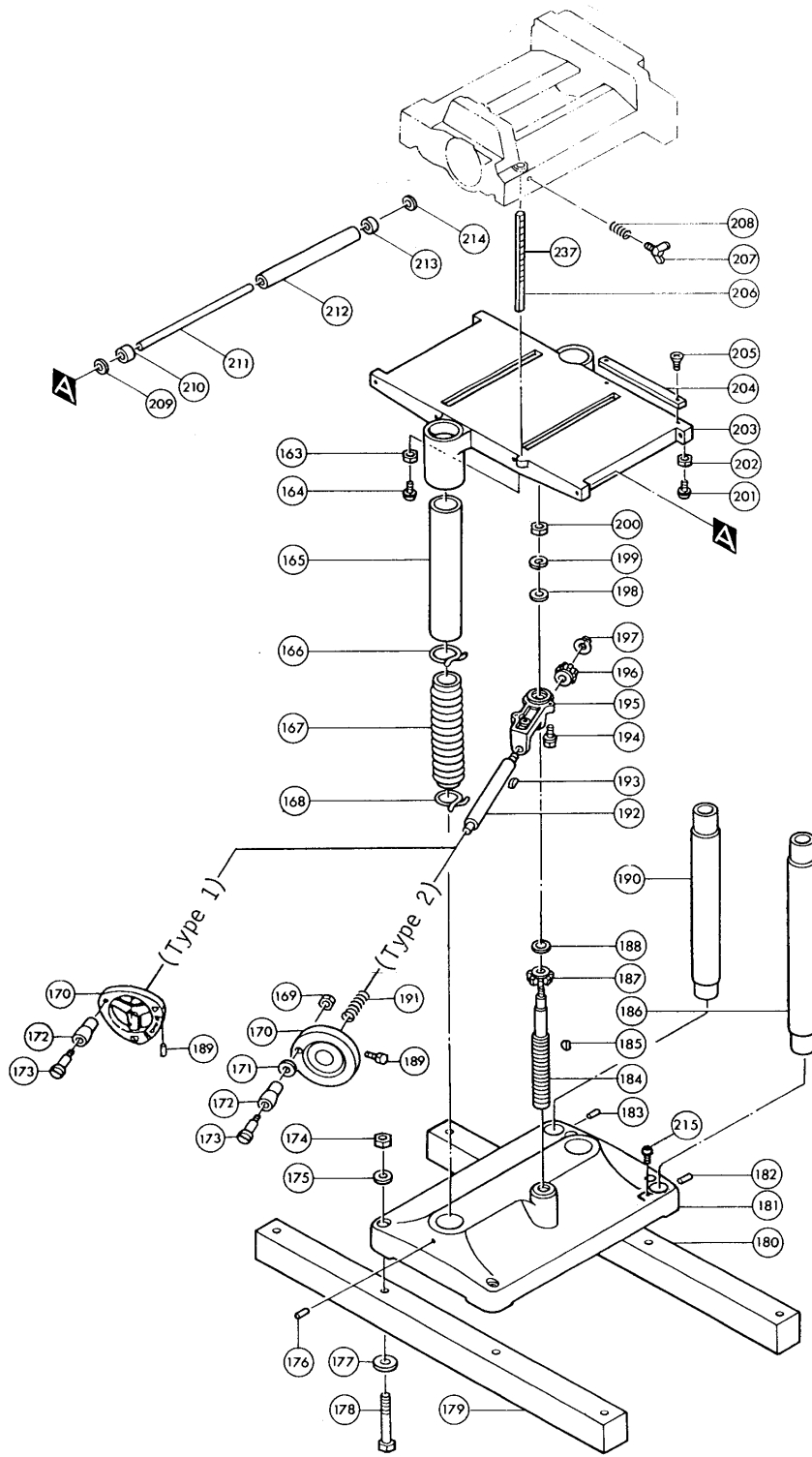
Item No.	Part No.	No. Used	Description
20	225043-3	1	Poly V-Belt 3-285
21	951119-7	1	Spring Pin 4-24
22	156424-9	1	Gear Housing Cover (With Items 225 - 227)
23	911256-9	4	P.H. Screw M5X35 (With Washer)
24	343302-4	1	Chain Cover (A)
25	911211-1	2	P.H. Screw M5X12 (With Washer)
26	225508-5	1	Chain 35-76
27	164459-6	1	Chain Cover (B)
28	911261-6	1	P.H. Screw M5X40 (With Washer)
29	654502-4	2	Solderless Connector P-2
30	911241-2	3	P.H. Screw M5X25 (With Washer)
31	911211-1	2	P.H. Screw M5X12 (With Washer)
32	343303-2	1	Belt Cover
33	225044-1	1	Poly V-Belt 9-563
34	222061-2	1	V-Pulley 9-30
35	312934-8	1	Bracket
36	263005-3	1	Rubber Pin 6
37	211106-1	1	Ball Bearing 6201LLB
38	213102-5	1	Dust Seal 12
39	<b>241514-2</b>	1	Fan 92
40	614546-6	1	Armature Assy 115V (Includes Items 37-39, 42 & 43)
	614548-2	1	Armature Assy 220V (Includes Items 37-39, 42 & 43)
41	<b>911942-2</b>	2	P.H. Screw M5X95 (With Washer & Bond) (Old 911910-5)
42	213051-6	1	Dust Seal 10
43	211066-7	1	Ball Bearing 6200LLB
44	624496-7	1	Field Assy 115V (With Items 10 & 29)
	624498-3	1	Field Assy 115V (With Items 10 & 29)
45	*	1	Motor Housing (With Items 36, 228 & 229) **
46	921451-3	4	Hex Bolt M8X30 (With Washer)
47	911211-1	2	P.H. Screw M5X12 (With Washer)
48	284043-2	1	Rear Cover
49	681002-1	2	Insulation Washer
50	<b>181047-4</b>	2	Carbon Brush CB-154
	181048-2	2	Auto Cut-Off Carbon Brush CB-155 (Optional)
51	643650-4	2	Brush Holder Cap
52	253759-0	1	Flat Washer 12
53	226036-3	1	Gear 13-25
54	253759-0	1	Flat Washer 12
55	253760-5	1	Flat Washer 14
56	221631-4	1	Helical Gear 59
57	254001-2	1	Woodruff Key 4
58	254001-2	1	Woodruff Key 4
59	325533-7	1	Driving Shaft
60	253760-5	1	Flat Washer 14
61	163112-1	1	Tensioner
62	231745-1	1	Tension Spring 9
63	961110-7	1	Retaining Ring S-30
64	221503-3	1	Sprocket 15
65	961052-5	1	Retaining Ring S-12
66	253758-2	1	Flat Washer 10
67	226035-5	1	Gear 11-61
68	253758-2	1	Flat Washer 10
69	211031-6	1	Ball Bearing 608LLB
70	221630-6	1	Helical Gear 12
71	211031-6	1	Ball Bearing 608LLB
222	652103-2	2	Hex Nut M12
223	652061-2	2	Toothed Lock Washer 12
224	652101-6	2	Hex Nut M12
225	214052-7	1	Plane Bearing 10
226	214103-6	1	Plane Bearing 12
227	214156-5	1	Plane Bearing 14
228	643653-8	2	Brush Holder
229	913206-0	2	Set Screw M5X8
230	341713-7	1	Switch Cover
231	341714-5	1	Key
232	232064-8	1	Leaf Spring

Item No.	Part No.	No. Used	Description
1	341710-3	1	Switch Protector (Old 342186-7)
2	911116-5	6	P.H. Screw M4X12 (With Washer)
3	155236-7	1	Switch Plate
4	651750-6	1	Switch
5	817615-4	1	Caution Label (English)
	817628-5	1	Caution Label (French)
7	911116-5	1	P.H. Screw M4X12 (With Washer)
8	687639-2	1	Strain Relief
9	953206-8	2	Rivet 2-5
10	654020-2	2	Garter Spring
11	231226-5	1	Compression Spring 11
12	911116-5	2	P.H. Screw M4X12 (With Washer)
13	*	1	Strain Relief
14	664723-0	1	Cord With Plug 3P-16-2.5M SJ (115V)
	664124-2	1	Cord 3P-18-2.5 (220V) (Cut Down Original Plug and connect to Certified Plug for 220V)
15	682505-8	1	Cord Guard (115V)
	682503-2	1	Cord Guard (220V)
16	687601-7	1	Strain Relief
17	911116-5	2	P.H. Screw M4X12 (With Washer)
18	323667-0	1	Stopper Pin
19	222060-4	1	V-Pulley 3-30



Item No .	Part No.	No. Used	Description
103	342512-0	1	Ruler Holder (R)
104	911221-8	4	P.H. Screw M5X16 (With Washer)
105	211256-2	1	Ball Bearing 6203LLB
106	*	1	Bolt
107	222062-0	1	V-Pulley 9-63
108	262506-8	4	Sleeve 10
109	*	1	Bolt
110	152131-2	1	Coupling (With Items 109 & 220)
111	251644-1	4	Hex Flange Head Bolt M8X20
112	941201-0	4	Flat Washer 8
113	342513-8	1	Ruler Holder (L)
114	*	1	Ruler Bar (S)
115	323666-2	1	Stopper
116	213009-5	1	O Ring 4
117	924321-5	2	Thumb Screw M6X18
118	911206-4	2	P.H. Screw M5X10 (With Washer)
119	152138-8	1	Chip Cover Com.(Roller only (N/A)
120	323674-3	1	Nut M8X25
121	921421-2	1	Hex Bolt M8X16 (With Washer)
122	961052-5	1	Retaining Ring S-12
123	253759-0	1	Flat Washer 12
124	323407-6	1	Tension Roller
125	212104-8	1	Needle Bearing 1212
126	253759-0	1	Flat Washer 12
127	333125-8	1	Tension Core
128	211261-9	1	Ball Bearing 6303LLB
129	211261-9	1	Ball Bearing 6303LLB
130	222059-9	1	V-Pulley 3-25
131	311413-3	1	Bearing Box
132	911221-8	4	P.H. Screw M5X16 (With Washer)
133	*	1	Pressure Plate
134	*	1	Chip Breaker
135	*	8	P.H. Screw M5X16 (With Washer)
136	231242-7	4	Compression Spring 14
137	*	1	Main Frame (With Items 230 - 232)
138	921571-3	4	Hex Bolt M10X50 (With Washer)
139	951325-4	1	Spring Pin 10-50
140	*	1	Ruler Bar (L)
141	342251-2	2	Metal Cover (A) (Type 1)
	<b>341685-6</b>	2	Metal Cover (A) (Type 2)
			Above parts are completely interchangeable
142	911221-8	4	P.H. Screw M5X16 (With Washer)
143	214152-3	2	Plane Bearing 14
144	162090-2	2	Roller 50-284
145	254001-2	2	Woodruff Key 4
146	214152-3	2	Plane Bearing 14
147	342252-0	2	Metal Cover (B) (Type 1)(NLA)
	341686-4	2	Metal Cover (B) (Type 2)
	<b>343844-8</b>	2	Metal Cover (B) (Type 3)
			Above parts are completely interchangeable
148	911221-8	4	P.H. Screw M5X16 (With Washer)
149	221503-3	2	Sprocket 15
150	961052-5	2	Retaining Ring S-21
151	251690-4	12	Hex Flange Head Bolt M8X30
152	345146-8	4	Drum Cover 300
153	911211-1	8	P.H. Screw M5X12 (With Washer)
154	342505-7	2	Blade Holder 300
155	254218-7	1	Key 5
156	161057-7	1	Main Drum
157	345144-2	2	Drum Cover 155
158	342504-9	2	Blade Holder 155
159	254218-7	1	Key 5
160	251690-4	8	Hex Flange Head Bolt M8X30
161	911211-1	4	P.H. Screw M5X12(With Washer)
162	161058-5	1	Sub Drum
233	214052-7	1	Plane Bearing 10
234	214103-6	1	Plane Bearing 12
235	214154-9	1	Plane Bearing 14
236	322277-0	1	Adjust Screw *

Item No .	Part No.	No. Used	Description
72	271211-6	1	Knob 70
73	951169-2	1	Spring Pin 5-28
74	323668-8	1	Adjust Pole
75	951213-5	2	Spring Pin 6-24*
76	921451-3	4	Hex Bolt M8X30 (With Washer )*
77	941352-9	2	Flat Washer 14 *
78	311271-7	2	Bar Holder *
79	941352-9	2	Flat Washer 14 *
80	311408-6	2	Adjust Bed *
81	311417-5	1	Fence
82	*	1	Fix Bed/Sub Frame
83	961052-5	1	Retaining Ring S-12
84	155209-0	1	Drum Cover Com.
85	231521-3	1	Torsion Spring 14
86	256921-6	1	Rod 12-125
87	812074-7	1	Indication Label
88	951119-7	1	Spring Pin 4-24
89	271234-4	1	Knob 40
90	951119-7	1	Spring Pin 4-24
91	812120-6	1	Scale Plate
92	911106-8	2	P.H. Screw M4X8 (With Washer)
93	<b>921312-7</b>	1	Hex Bolt M6X12 (Old 924321-5)
94	921341-0	4	Hex Bolt M6X25 (With Washer)
95	342506-5	1	Chip Guide
96	311412-5	1	Bearing Cover
97	211256-2	1	Ball Bearing 6203LLB
98	921682-4	2	Hex Bolt M12X60
99	941301-6	2	Flat Washer 12 *
100	231048-3	2	Compression Spring 13 *
101	253922-5	2	Cup Washer 12 *
102	951325-4	1	Spring Pin 10-50



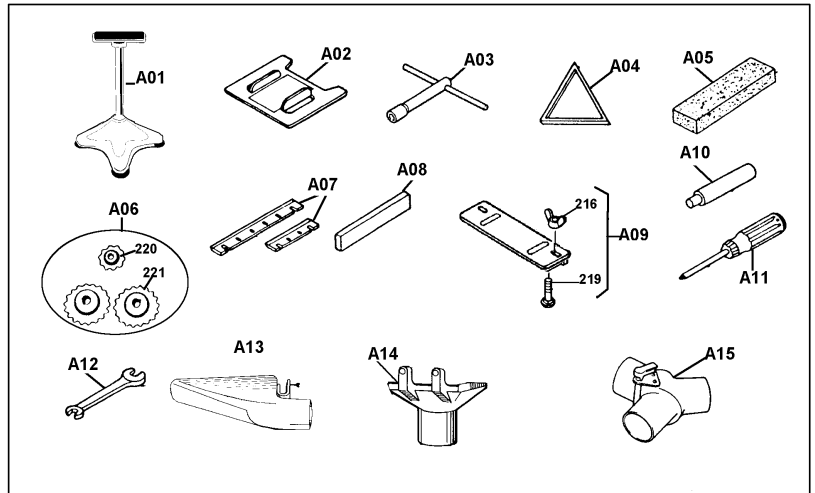
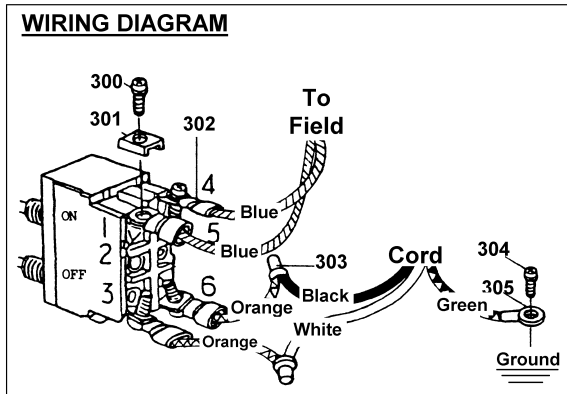
Item No.	Part No.	No. Used	Description
171	941251-5	1	Flat Washer 10 (Type 2)
172	273420-3	1	Grip 30
173	251904-1	1	Bolt M10
174	252038-3	4	Hex Nut M10-17
175	941251-5	4	Flat Washer 10
176	951293-1	4	Spring Pin 8-90
177	253134-0	4	Flat Washer 11
178	251665-3	4	Hex Bolt M10X120
179	441020-9	1	Stable Base
180	441019-4	1	Stable Base
181	311411-7	1	Base
182	951213-5	2	Spring Pin 6-24
183	951213-5	2	Spring Pin 6-24
184	325534-5	1	Screw M24
185	254001-2	1	Woodruff Key 4
186	*	1	Pipe 4
187	221317-0	1	Straight Bevel Gear 16
188	212211-7	1	Thrust Needle Bearing 1528
189	951166-8	1	Spring Pin 5-24 (Type 1)
	921432-7	1	Hex Bolt M8X20 (Type 2)
190	333121-6	1	Pipe 42-465
191	231267-1	1	Compression Spring 19 Type 2)
192	325535-3	1	Handle Shaft
193	254001-2	1	Woodruff Key 4
194	921351-7	5	Hex Bolt M6X30 (With Washer)
195	311410-9	1	Handle Supporter
196	221317-0	1	Straight Bevel Gear 16
197	961055-9	1	Retaining Ring S-15
198	253843-1	1	Flat Washer 12
199	942301-9	1	Spring Washer 12
200	931601-2	1	Hex Nut M12
201	911352-3	4	P.H. Screw M6X30
202	931302-2	4	Hex Nut M6
203	311409-4	1	Main Bed
204	331089-0	1	Ruler
205	912226-1	2	Countersunk Head Screw M5X18 (With Washer)
206	155298-5	1	Scale Bar With [Item 237 (Type 1)]
	<b>331088-2</b>	1	Scale Bar only (Type 2)
207	924321-5	1	Thumb Screw M6X18
208	231005-1	1	Compression Spring 7
209	941251-5	4	Flat Washer 10
210	214054-3	4	Plane Bearing 10
211	321057-1	4	Rod 10-315
212	333123-2	4	Roller 26-265
213	214054-3	4	Plane Bearing 10
214	941251-5	4	Flat Washer 10
215	911831-1	1	Screw M5X10 (Type 1 only)
216	934301-3	2	Wing Nut M6
219	251920-3	2	Countersunk Square Neck Bolt M6X30
220	221515-6	1	Sprocket 10
221	221516-4	2	Sprocket 18
237	<b>816613-5</b>	1	Scale Label
300	652008-6	4	P.H. Screw M3.5X7 (With Washer)
301	652250-4	4	Clamp Washer
302	654037-5	4	Insulated Eye Terminal FV1.25-M3
303	654510-5	2	Closed End Connector 5.5SD(115V)
	654509-0	2	Closed End Connector 2-SD(220V)
304	652012-5	1	Grounding Screw M4X8
305	654002-4	1	Solderless Eye Terminal 1.25-M4

Item No.	Part No.	No. Used	Description
163	931302-2	4	Hex Nut M6
164	911362-0	4	P.H. Screw M6X40
165	333120-8	2	Column
166	321293-9	2	Snap Ring 65
167	411783-1	2	Bellows
168	321294-7	2	Snap Ring 55
169	931501-6	1	Hex Nut M10 (Type 2)
170	271022-9	1	Handle (Type 1) (Grey Metal) (No Longer Available)
	155336-3	1	Handle (Type 2) (Black Plastic)

**Accessories**

A01	122106-5	1	Auxilliary Roller Stand
A02	155193-9	1	Leveller
A03	782213-2	1	Socket Wrench 13
A04	762001-3	1	Triangle
A05	794060-9	1	Dressing Stone
A06	191440-4	1	Sprocket Set (Speed Reducer)
A07	-----	2	Planer Blades (See Catalogue for Details)
A08	441021-7	2	Wooden Leveller
A09	123006-2	1	Sharpening Holder Assy (Assembled Items 216 & 219)

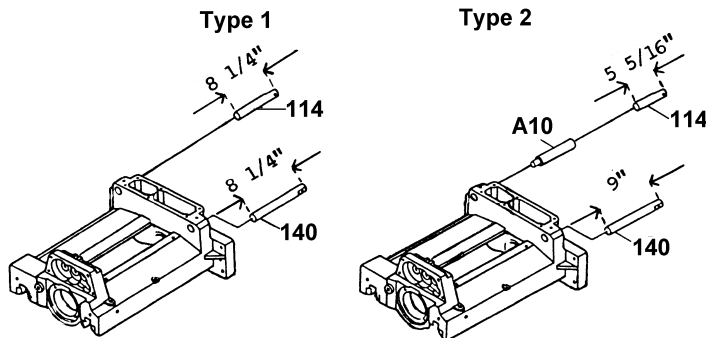
\* SERVICE CHANGES



Item No.	Part No.	No. Used	Description	Item No.	Part No.	No. Used	Description
A10	*	1	Extension Guide	A14	191777-9	1	Hood Set (For Jointer Feed Side) (Connect to Model 410 - Dust Collector)
A11	783002-8	1	Screwdriver 2	A15	122342-3	1	Y-Joint Assy (Connect to Model 410 - Dust Collector)
A12	781202-4	1	Wrench 10-13				
A13	191720-8	1	Hood Set (Connect to Model 410 -Dust Collector)				

**SERVICE CHANGES**

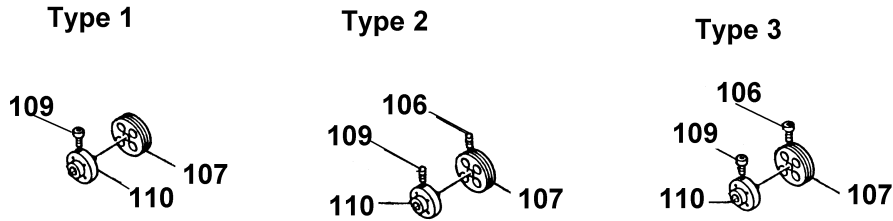
**1. Change on Ruler Bars.**



Item No.	Description	Type 1	Type 2
114	Ruler Bar	324009-1(No Longer Available)	324011-4 (S)
140	Ruler Bar	324009-1(No Longer Available)	324010-6 (L)
A10	Extension Guide	-----	323707-4 (Added)

Above parts are completely interchangeable as a set.

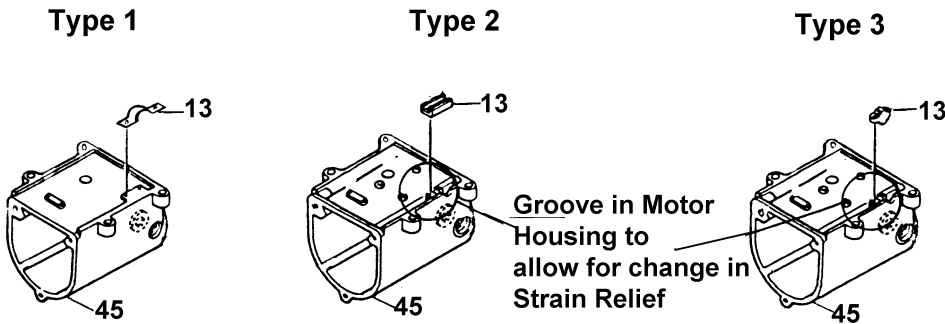
**2. Change on Bolt for V-Pulley and Coupling.**



Item No.	Description	Type 1	Type 2	Type 3
106	Bolt	-----	251961-9	922212-4
107	V-Pulley 9-63	222062-0		
		No Screw Hole for Item 106 (Discontinued)	Has 6mm Screw Hole to accept Item 106(Discontinued)	<b>Has 5mm Screw Hole to accept Item 106</b>
109	Bolt	922222-1	251961-9	922212-4
110	Coupling	152131-2		
		Has 5mm Screw Hole To accept Item 109 (D iscontinued)	Has 6mm Screw Hole to Accept Item 109 (Discontinued)	<b>Has 5mm Screw Hole to accept Item 109</b>

Above parts are completely interchangeable as a set.  
When replacing either V-Pulley or Coupling, replace them with complete set of Type 3 parts.

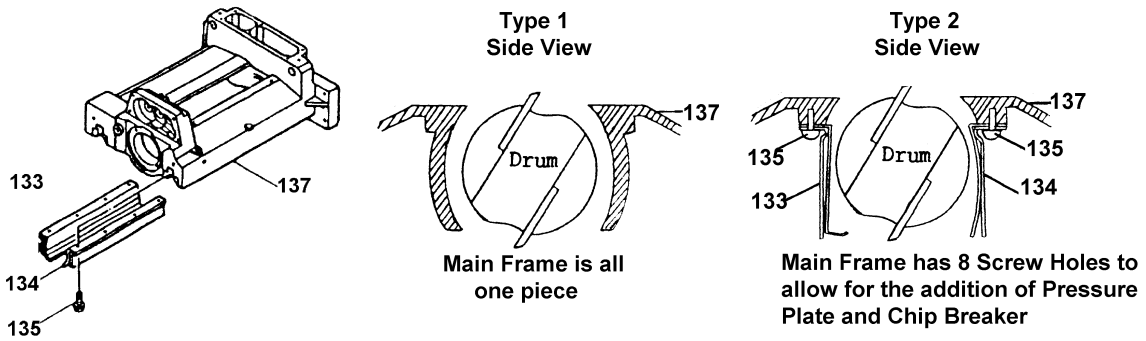
**3. Change on Motor Housing and Strain Relief.**



Item No.	Description	Type 1	Type 2	Type 3
13	Strain Relief	687628-7	687600-9	687001-1
45	Motor Housing	156453-2 (No Longer Available)	156422-3	

Above parts are completely interchangeable as a set.

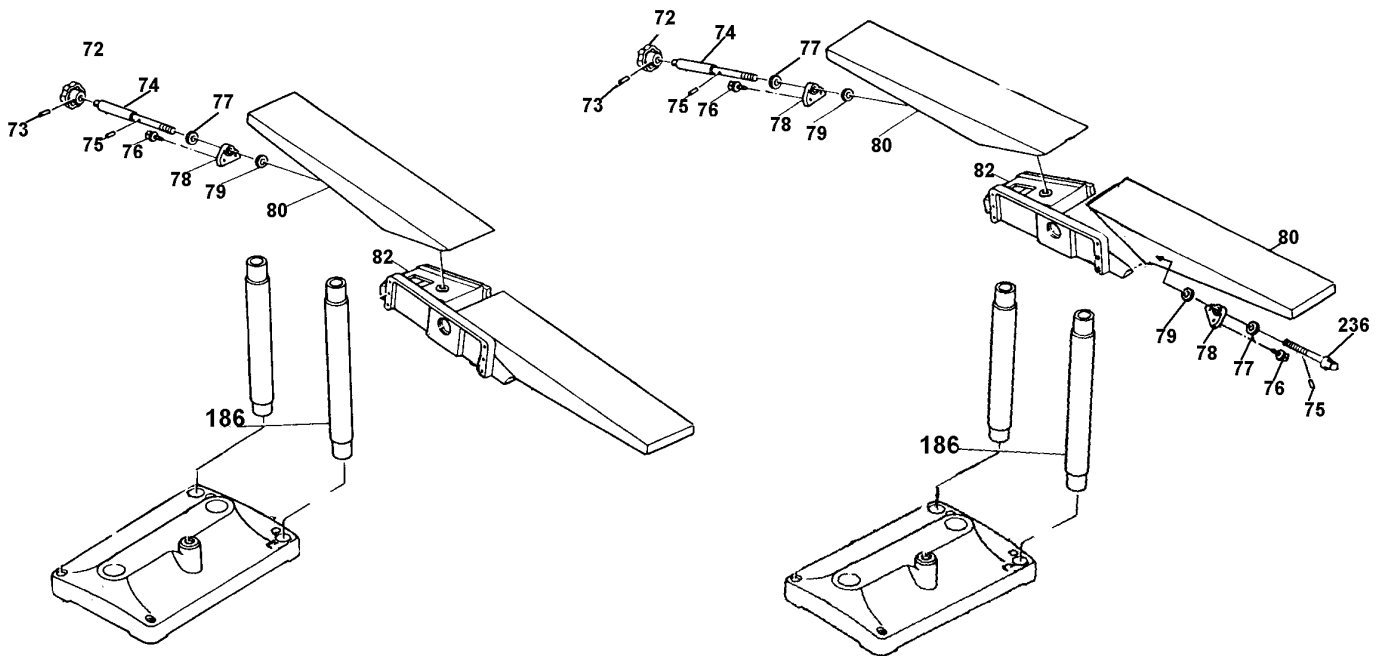
**4. Change on Main Frame, Pressure Plate and add Chip Breaker.**



Item No.	Description	Type 1	Type 2
133	Pressure Plate	-----	164506-3 (Added)
134	Chip Breaker	-----	164505-5 (Added)
135	P.H. Screw M5X16	-----	911221-8 (8pcs Added)
137	Main Frame	156423-1 (No Longer Available)	156423-1A
	Serial No.	~ 2285E	2286E ~

Above parts are completely interchangeable as a set.  
When replacing Type 1 parts, replace it with complete set of Type 2 parts.

**5. Change on Fix Bed, Adjust Bed, Pipe etc..**



Item No.	Description	Type 1	Type 2
75	Spring Pin 6-24	951213-5	
		1 piece	2 pieces
76	Hex Bolt M8X30 (With Washer)	921451-3	
		2 pieces	4 pieces
77	Flat Washer 14	941352-9	
		1 piece	2 pieces
78	Bar Holder	311271-7	
		1 piece	2 pieces
79	Flat Washer 14	941352-9	
		1 piece	2 pieces
80	Adjust Bed	311408-6	
		1 piece	2 pieces
82	Fix Bed/ Sub Frame	311407-8 (Fix Bed)	311845-4 (Sub Frame)
98	Hex Bolt M12X60	921682-4	
		1 piece	2 pieces
99	Flat Washer 12	941301-6	
		1 piece	2 pieces
100	Compression Spring 13	231048-3	
		1 piece	2 pieces
101	Cup Washer 12	253922-5	
		1 piece	2 pieces
186	Pipe	333122-4 (42-530)	331346-6 (42-505)
236	Adjust Screw	-----	<b>322277-0</b>

Above parts are completely interchangeable as a set.