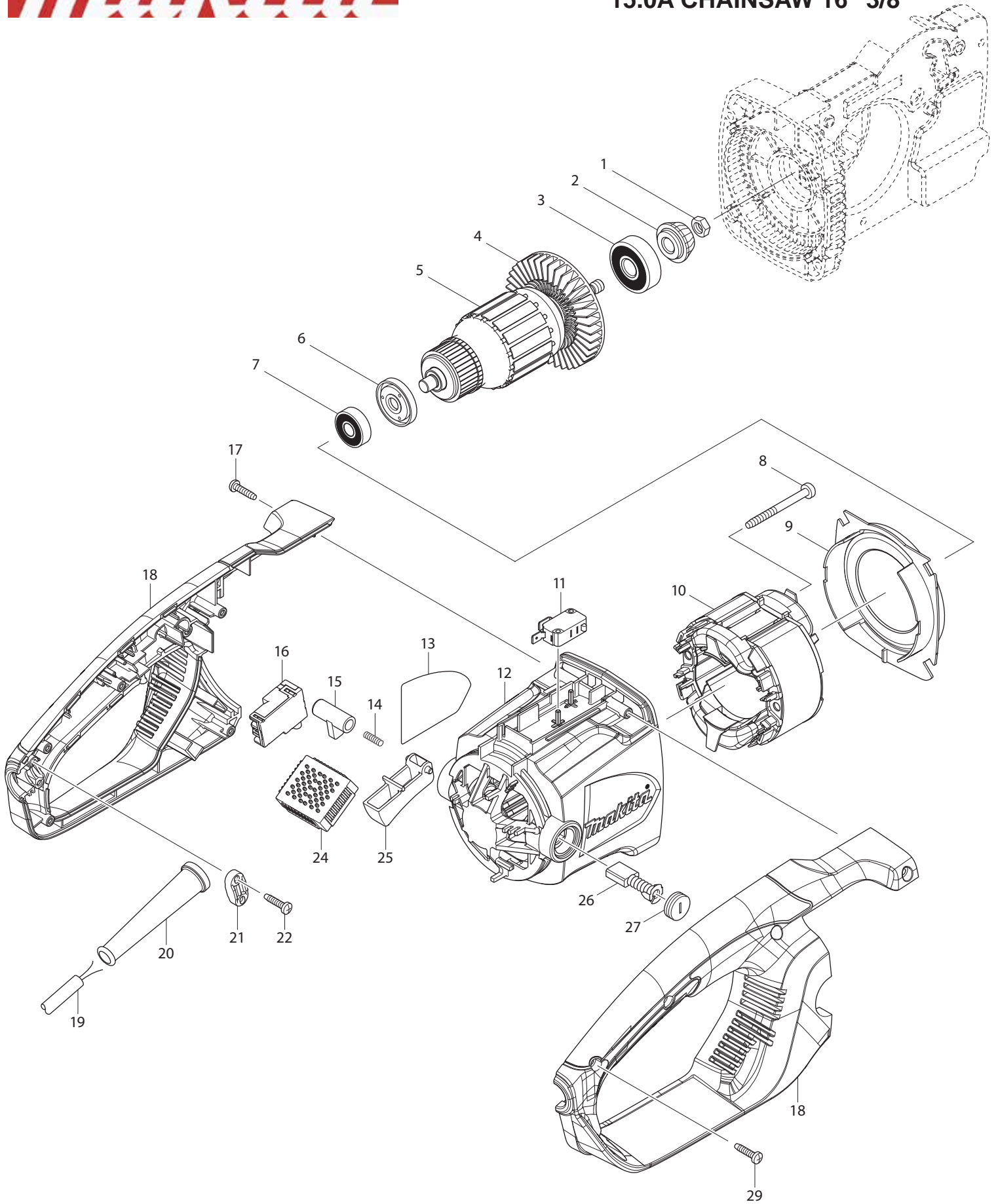
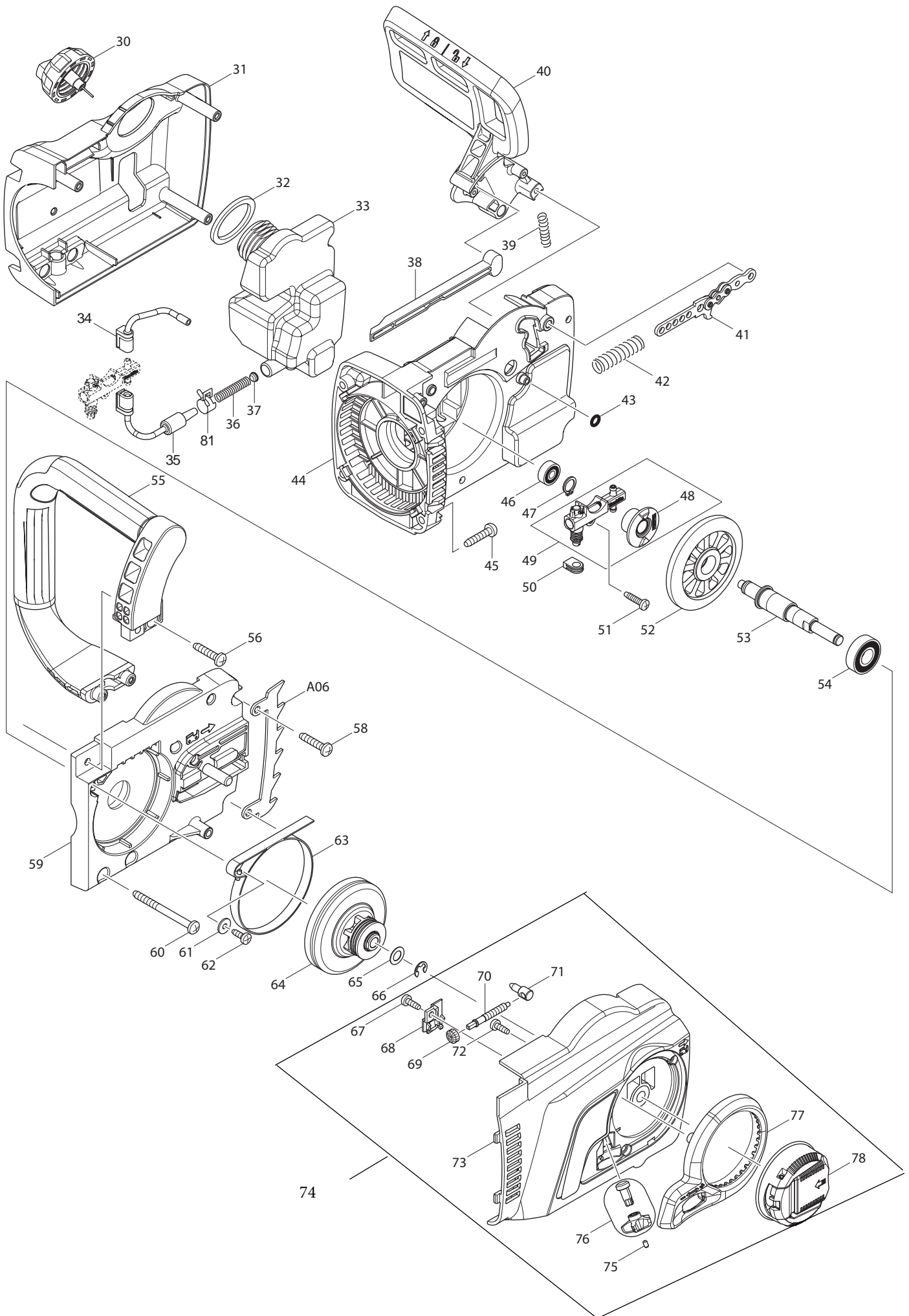




04 - 2014
UC4051A
15.0A CHAINSAW 16" 3/8"





Item No.	Type	Sub	Part No.	Description	Qty	Unit
001			931403-6	HEX. NUT M8	1	PC.
002			227626-5	SPIRAL BEVEL GEAR 12	1	PC.
003			211111-8	BALL BEARING 6301LLB	1	PC.
004			240003-4	FAN 80	1	PC.
005			517901-0	ARMATURE ASS'Y 115V	1	PC.
005		INC.		Item No. 3,4,6,7		
006			681666-1	INSULATION WASHER	1	PC.
007			210084-2	BALL BEARING 629ZZ	1	PC.
008			266095-5	TAPPING SCREW 5X55	2	PC.
009			419410-4	BAFFLE PLATE	1	PC.
010	1		636386-2	FIELD 115V	1	PC.
	2		596386-3	FIELD 115V	1	PC.
	2	INC.	654020-2	RING TERMINAL	1	PC.
	2	INC.	654485-8	PARALLEL SPLICE	1	PC.
011			650577-1	SWITCH SD-006-BB2AA-AA	1	PC.
012			142348-5	MOTOR HOUSING COMPLETE	1	PC.
		INC.	643653-8	BRUSH HOLDER 6.5-13.5	2	PC.
013			815G07-3	NAME PLATE F/ UC4051A	1	PC.
014	2		233194-8	COMPRESSION SPRING 4	1	PC.
015			416178-3	LOCK-OFF BUTTON	1	PC.
016			650717-1	SWITCH TGC30B	1	PC.
017			265995-6	TAPPING SCREW 4X18	1	PC.
018			187915-9	HANDLE SET	1	PC.
		INC.	802G48-8	CAUTION LABEL	1	PC.
019			664980-0	CORD W/PLUG 2P-14-0.3M	1	PC.
020			682574-9	CORD GUARD 10-90	1	PC.
021			687124-5	STRAIN RELIEF	1	PC.
022			265995-6	TAPPING SCREW 4X18	2	PC.
024			631720-1	CONTROLLER	1	PC.
025			419411-2	SWITCH LEVER	1	PC.
026			194986-9	CARBON BRUSH CB-154 2PC/SET W/ ORIGIN	1	SET
027			643650-4	BRUSH HOLDER CAP 6.5-13.5	2	PC.
029			265995-6	TAPPING SCREW 4X18	6	PC.
030			142282-9	TANK CAP COMPLETE	1	PC.
031			142452-0	GEAR HOUSING COVER COMPLETE	1	PC.
		INC.	802G49-6	CAUTION LABEL	1	PC.
032			421959-2	SPONGE SEAL	1	PC.
033			454826-6	OIL TANK	1	PC.
034			424611-1	CONNECTOR B	1	PC.
035			424610-3	CONNECTOR A	1	PC.
036			231975-4	SPRING	1	PC.
037			416274-7	CAP	1	PC.
038			454825-8	ROD	1	PC.
039			233174-4	COMPRESSION SPRING 6	1	PC.
040			142449-9	FRONT HAND GUARD COMPLETE	1	PC.
040		INC.	802G47-0	INDICATION LABEL	1	PC.
041			158044-5	LINK PLATE COMPLETE	1	PC.
042			234005-0	COMPRESSION SPRING 9	1	PC.
043			213017-6	O RING 6	1	PC.
044			454821-6	GEAR HOUSING	1	PC.
045			266041-8	TAPPING SCREW 5X25	4	PC.
046	2		210206-4	BALL BEARING 606ZZ	1	PC.
047			961006-2	RETAINING RING S-10	1	PC.
048			221427-3	WORM GEAR	1	PC.
049	2		142156-4	* OIL PUMP COMPLETE	1	PC.

Item No.	Type	Sub	Part No.	Description	Qty	Unit
050			424612-9	GROMMET	1	PC.
051			265995-6	TAPPING SCREW 4X18	1	PC.
052			227627-3	SPIRAL BEVEL GEAR 37	1	PC.
053			326373-6	SPINDLE	1	PC.
054	2		210205-6	BALL BEARING 6001ZZ	1	PC.
055			454823-2	FRONT HANDLE	1	PC.
056			266041-8	TAPPING SCREW 5X25	2	PC.
058			266041-8	TAPPING SCREW 5X25	2	PC.
059			319091-3	BEARING HOUSING	1	PC.
060			266044-2	TAPPING SCREW 5X60	2	PC.
061			267195-4	FLAT WASHER 4	1	PC.
062			266026-4	TAPPING SCREW BIND CT 4X12	1	PC.
063			168426-3	BRAKE BAND	1	PC.
064	2		123886-6	BRAKE DRUM ASSEMBLY	1	PC.
065			253215-0	FLAT WASHER 8	1	PC.
066			259033-4	RETAINING RING E TYPE 6	1	PC.
067			266427-6	TAPPING SCREW 4X12	1	PC.
068			454818-5	COVER	1	PC.
069			227496-2	STRAIGHT BEVEL GEAR 14	1	PC.
070			326372-8	ADJUST SCREW	1	PC.
071			326310-0	ADJUST PIN	1	PC.
072			266427-6	TAPPING SCREW 4X12	3	PC.
073			142342-7	SPROCKET COVER COMPLETE	1	PC.
074			183B54-5	SPROCKET COVER SET	1	PC.
		INC.		Item No. 67-73, 75-78		
075			263002-9	RUBBER PIN 4	1	PC.
076			142665-3	DRIVE GEAR COMPLETE	1	PC.
077			454819-3	NUT COVER	1	PC.
078			142235-8	NUT COMPLETE	1	PC.
081			324685-1	HOSE CLAMP	1	PC.
C01			875588-7	CARTON	1	PC.
D01			654509-0	CONNECTOR 2-SD	1	PC.
D02			654020-2	RING TERMINAL	2	PC.
D03			654501-6	CONNECTOR P-1.25	2	PC.
D04			654207-6	RECEPTACLE	1	PC.
ACCESSORIES				- See Catalogue or visit www.makita.ca for more accessories -		
A01			158024-1	HOOK COMPLETE	1	PC.
A02	1		165202-6	16" SPROCKET NOSE BAR 3/8" 50G	1	PC.
A02	2		191G25-8	16" SPROCKET NOSE BAR 3/8" 50G	1	PC.
A03			419242-9	CHAIN COVER F/16"	1	PC.
A04	2		196208-3	3/8" LOW KICKBACK SAFETY CHAIN 50G 16"	1	PC.
A04	3		191H12-3	3/8" CHAIN 50G 16"	1	PC.
A04	Opt.		T-01600	3/8" PROFESSIONAL CHAIN 50G 16"	1	PC.
A05	1		182229-1	CHAIN OIL SUPPLY 100 CC W/O ORIGIN	1	PC.
A06			345651-5	SPIKE BUMPER	1	PC.

SERVICE CHANGES

1. Changes on Oil Pump

(TI#A5303)

Item No.	Description	Type 1	Type 2
49	Oil Pump Set > Oil Pump Complete	196419-0 (with item No. 48)	142156-4 (without item No. 48)
48	Worm Gear		221427-3