

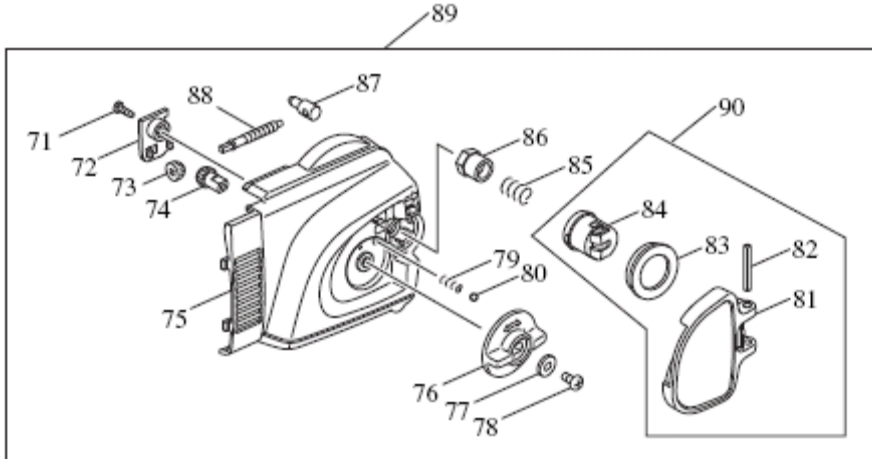
Item No	Type	Part No	Description	Qty	Unit
1		226743-8	STRAIGHT BEVEL GEAR 14	1	PC.
2		419410-4	BAFFLE PLATE	1	PC.
3		211111-8	BALL BEARING 6301LLB	1	PC.
4		240001-8	FAN 80	1	PC.
5		616966-0	ARMATURE 115V	1	PC.
6		681666-1	RESIN WASHER	1	PC.
7		210081-8	BALL BEARING 629ZZ	1	PC.
8		639532-6	FIELD 115V	1	PC.
9		266095-5	TAPPING SCREW 5X55	2	PC.
10		265995-6	TAPPING SCREW 4X18	1	PC.
11		188820-3	HANDLE SET	1	SET
	INC.	810199-1	CAUTION LABEL	1	PC.
13		867109-9	UC3530A NAME PLATE	1	PC.
14		650577-1	SWITCH SD-006-BB2AA-AA	1	PC.
15		631720-1	CONTROLLER	1	PC.
16		682574-9	CORD GUARD 10-90	1	PC.
17		664980-0	CORD W/PLUG 2P-14-0.3M	1	PC.
18		687124-5	STRAIN RELIEF	1	PC.
19		265995-6	TAPPING SCREW 4X18	2	PC.
20		416178-3	LOCK-OFF BUTTON	1	PC.
21		233173-6	COMPRESSION SPRING 4	1	PC.
22		419411-2	SWITCH LEVER	1	PC.
24		651923-1	SWITCH TG70B SINGLE W/O LOCK	1	PC.
25		643650-4	BRUSH HOLDER CAP 6.5-13.5	2	PC.
26		194986-9	CARBON BRUSH CB-153	1	SET
27		154867-9	MOTOR HOUSING COMPLETE	1	PC.
	INC.	643653-8	BRUSH HOLDER 6.5-13.5	2	PC.
28		188820-3	HANDLE SET	1	SET
	INC.	810199-1	CAUTION LABEL	1	PC.
29		265995-6	TAPPING SCREW 4X18	1	PC.
30		265995-6	TAPPING SCREW 4X18	5	PC.
32		154870-0	TANK CAP COMPLETE	1	PC.
33		158050-0	GEAR HOUSING COVER COMPLETE	1	PC.
	INC.	810891-9	CAUTION LABEL	1	PC.
34	1	140089-7	OIL PUMP COMPLETE	1	PC.
	2	142002-1	OIL PUMP COMPLETE	1	PC.
35		213039-6	O RING 6	1	PC.
36		421959-2	SPONGE SEAL	1	PC.
37		419407-3	OIL TANK	1	PC.
38		416274-7	CAP	1	PC.
39		231975-4	SPRING	1	PC.
40		421958-4	OIL TUBE	1	PC.
41		419408-1	GEAR HOUSING	1	PC.
42		419413-8	ROD	1	PC.
43		233174-4	COMPRESSION SPRING 6	1	PC.
44		451130-4	FRONT HAND GUARD	1	PC.
45		158044-5	LINK PLATE COMPLETE	1	PC.
46		234005-0	COMPRESSION SPRING 9	1	PC.
47		213039-6	O RING 6	1	PC.
48		211012-0	BALL BEARING 606ZZ	1	PC.
49		450230-7	CRANK	1	PC.
50		417405-1	CAM	1	PC.
51		259034-2	RETAINING RING E TYPE 10	1	PC.
52	1	266095-5	* TAPPING SCREW 5X55	2	PC.
	2	266044-2	* TAPPING SCREW 5X60	2	PC.
53		266173-1	TAPPING SCREW 5X30	4	PC.
54		226741-2	STRAIGHT BEVEL GEAR 43	1	PC.
55		324662-3	SPINDLE	1	PC.
56		211107-9	BALL BEARING 6201ZZ	1	PC.
57	1	419409-9	* FRONT HANDLE	1	PC.
	2	455487-5	* FRONT HANDLE	1	PC.

Item No	Type	Part No	Description	Qty	Unit
58		266173-1	TAPPING SCREW 5X30	2	PC.
59		921452-1	HEX. BOLT M8X30	1	PC.
60		318013-0	BEARING HOUSING	1	PC.
63		345651-5	SPIKE BUMPER	1	PC.
64		266173-1	TAPPING SCREW 5X30	2	PC.
65		168426-3	BRAKE BAND	1	PC.
66		267195-4	FLAT WASHER 4	1	PC.
67		266026-4	TAPPING SCREW BIND CT 4X12	1	PC.
68		125331-7	BRAKE DRUM ASSEMBLY	1	PC.
69		253215-0	FLAT WASHER 8	1	PC.
70		259033-4	RETAINING RING E TYPE 6	1	PC.
71		266007-8	TAPPING SCREW BIND PT 3X10	1	PC.
72		419241-1	COVER	1	PC.
73		227496-2	STRAIGHT BEVEL GEAR 14	1	PC.
74		227495-4	STRAIGHT BEVEL GEAR 14	1	PC.
75		154869-5	SPROCKET COVER	1	PC.
76		419233-0	DIAL 40	1	PC.
77		253874-0	FLAT WASHER 4	1	PC.
78		915106-0	BINDING HEAD SCREW M4X8	1	PC.
79		233033-2	COMPRESSION SPRING 4	1	PC.
80		216008-6	STEEL BALL 4	1	PC.
81		154763-1	LEVER COMPLETE	1	PC.
82		951122-8	SPRING PIN 4-28	1	PC.
83		419271-2	CUP WASHER 20	1	PC.
84		317977-5	LEVER HOLDER	1	PC.
85		231025-5	COMPRESSION SPRING 8	1	PC.
86		252168-0	HEX. NUT M8-13	1	PC.
87		324621-7	ADJUST PIN	1	PC.
88		324620-9	ADJUST SCREW	1	PC.
89		188858-8	* SPROCKET COVER SET	1	PC.
	INC.		Item No. 71-88		
90		188859-6	* LEVER COMPLETE SET	1	PC.
	INC.		Item No. 81-84		
91	1	188929-1	* OIL PUMP ASSY (Added)	1	PC.
	INC.		Item No. 34, 35, 49		
	2	187573-1	OIL PUMP ASSY	1	PC.
	INC.		Item No. 34, 35, 49		
100		810276-9	CAUTION LABEL	1	PC.
<u>ACCESSORIES</u>			- See Catalogue or visit www.makita.ca for more accessories -		
A01		419288-5	CHAIN COVER F/14"	1	PC.
A02		158024-1	HOOK COMPLETE	1	PC.
A03		165201-8	GUIDE BAR 14"	1	PC.
A04		528 092 652	SAW CHAIN 14"	1	PC.

SERVICE CHANGES

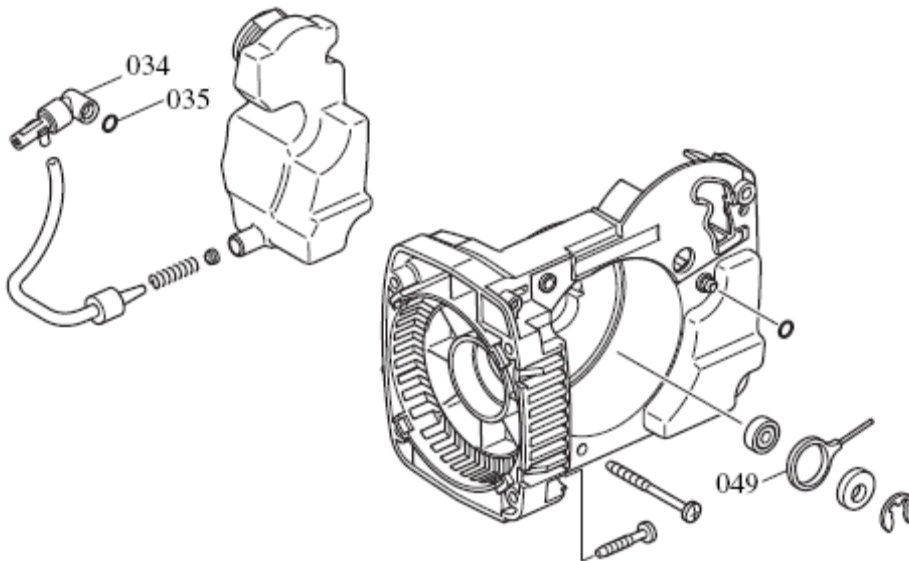
1. Breakdown of Item No. 89 and 90

Item No.	Description	Part No.
89	SPROCKET COVER SET	188858-8
90	LEVER COMPLETE SET	188859-6



2. Oil Pump Complete Set has become available for repair.

Item No.	Description	Part No.
91	Oil Pump Complete Set	188929-1



3. Change on Front handle and Tapping screw 5x55

Item No.	Description	Type 1	Type 2
57	Front handle	419409-9	455487-5
52	Tapping screw 5x55 > 5x60	266095-5	266044-2

Above parts are interchangeable as a set