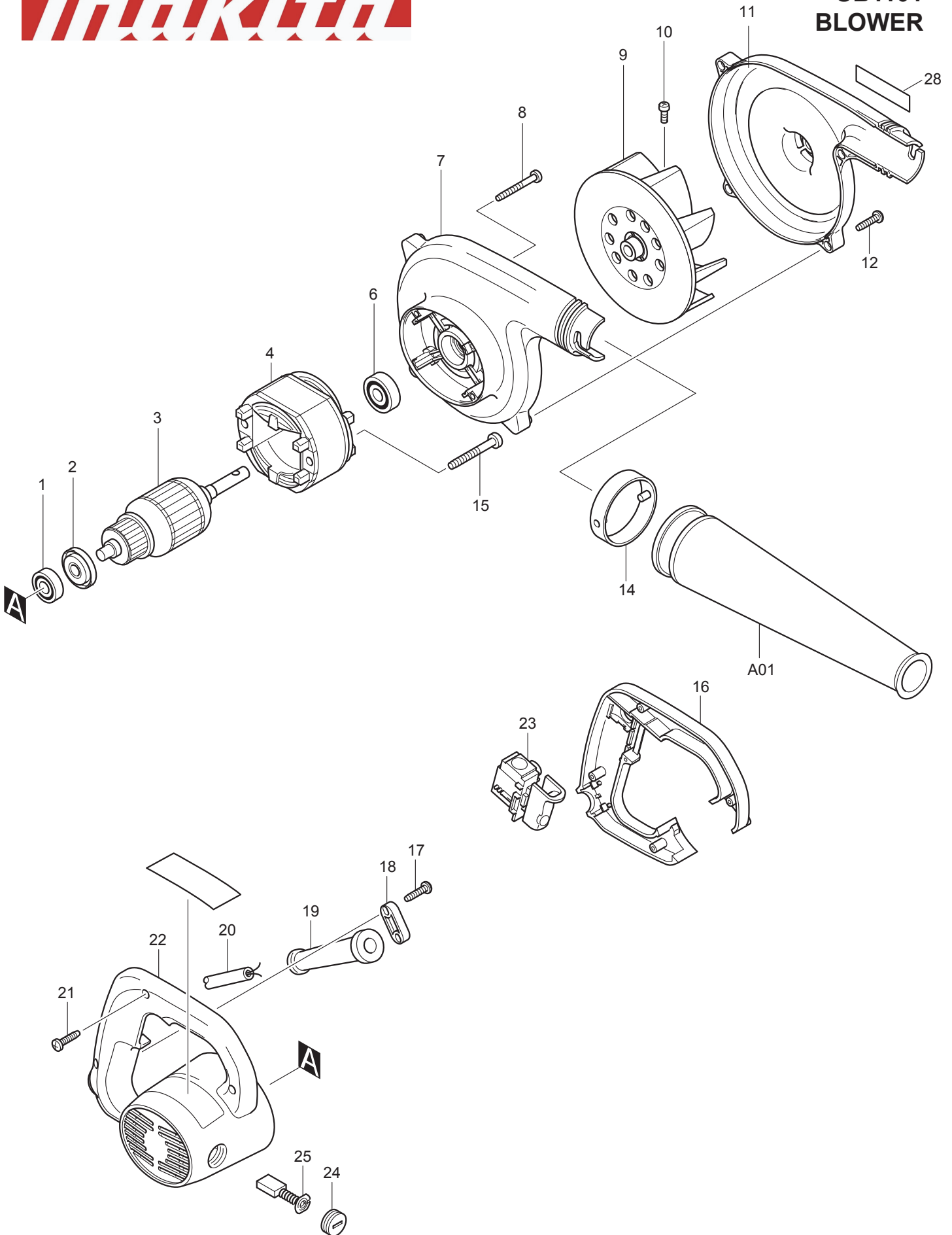




11 - 2010
UB1101
BLOWER



Item No.	Type	Sub	Part No.	Description	Qty	Unit
1			210005-4	BALL BEARING 608DDW	1	PC.
2			681644-1	INSULATION WASHER	1	PC.
3			516476-6	ARMATURE ASS'Y 115V	1	PC.
		INC.		Item No. 1, 2, 6		
4			594436-8	FIELD ASS'Y 115V	1	PC.
		INC.	654020-2	RING TERMINAL	2	PC.
		INC.	654501-6	CONNECTOR P-1.25	2	PC.
6			211092-6	BALL BEARING 629DDW	1	PC.
7			152902-7	FAN HOUSING COMPLETE	1	PC.
8			266053-1	TAPPING SCREW 4X35	4	PC.
9			241888-1	FAN 110	1	PC.
10			911117-3	PAN HEAD SCREW M4X12	1	PC.
11	1		183389-2	FAN COVER	1	PC.
		INC.		Item No. 28		
	2		417655-8	FAN COVER	1	PC.
12			265995-6	TAPPING SCREW 4X18	4	PC.
14			414145-2	JOINT	1	PC.
15			266211-9	TAPPING SCREW 5X40	2	PC.
16			417657-4	HANDLE COVER	1	PC.
17			265995-6	TAPPING SCREW 4X18	2	PC.
18	2		687123-7	CORD CLAMP (STRAIN RELIEF)	1	PC.
19			682502-4	CORD GUARD 8-85	1	PC.
20			664891-9	CORD W/PLUG 2P-18-2.5M, SJ	1	PC.
21			265995-6	TAPPING SCREW 4X18	4	PC.
22			152903-5	MOTOR HOUSING COMPLETE	1	PC.
		INC.	643708-9	BRUSH HOLDER 5-11	2	PC.
23			651298-8	SWITCH (TRIGGER)	1	PC.
24			643755-0	HOLDER CAP	2	PC.
25	1		191963-2	CARBON BRUSH CB-303 2PCS/SET (W/O ORIGIN) - N/L/A	1	SET
	2		194996-6	CARBON BRUSH CB-303 2PCS/SET (W/ ORIGIN)	1	SET
28			819063-3	MAKITA LABEL (Old)	1	PC.
<u>ACCESSORIES</u>						
A01			132025-7	NOZZLE ASS'Y	1	PC.
		INC.		Item No. 14		
A02			122321-1	DUST BAG ASS'Y	1	PC.
		INC.		Item No. A06		
A03			191750-9	FLEXIBLE HOSE SET	1	PC.
A04			192236-6	ANCHOR NOZZLE	1	PC.
A05			134182-7A	NOZZLE ASS'Y (LONG)	1	PC.
		INC.		Item No. 14		
A06			410602-8	FASTENER	1	PC.