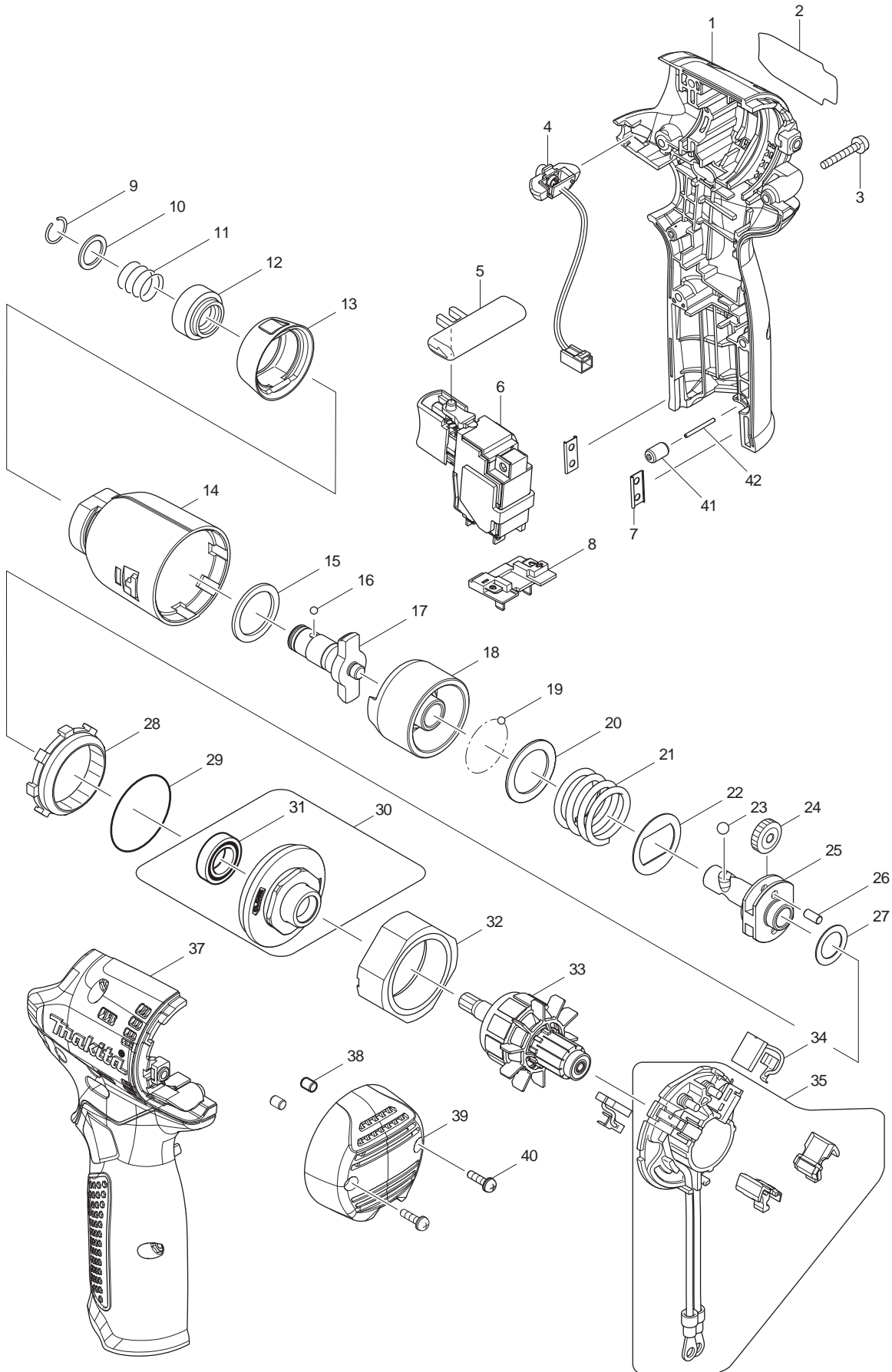




09 - 2014
TD091DZ
12V 1/4" HEX IMPACT DRIVER



Item No.	Type	Ref	Part No.	Description	Qty	Unit
001			187572-3	HOUSING SET	1	PC.
		INC.		Item No. 35		
002			814P64-2	TD091D NAME PLATE	1	PC.
003			265095-2	PAN HEAD SCREW M3X20	6	PC.
004			620189-4	LED CIRCUIT	1	PC.
005			419041-9	F/R CHANGE LEVER	1	PC.
006			650700-8	SWITCH TG573MSB-1	1	PC.
007			345998-7	SET PLATE	2	PC.
008			643830-2	TERMINAL	1	PC.
009			231965-7	RING SPRING 10	1	PC.
010			267143-3	FLAT WASHER 11	1	PC.
011			233005-7	COMPRESSION SPRING 13	1	PC.
012			162352-8	SLEEVE	1	PC.
013			424550-5	BUMPER	1	PC.
014			143056-1	HAMMER CASE COMPLETE	1	PC.
		INC.	213166-9	O RING 12.5	1	PC.
		INC.	805W55-6	CAUTION LABEL	1	PC.
015			261140-1	NYLON WASHER 20	1	PC.
016			216019-1	STEEL BALL 3	2	PC.
017	2		326630-2	ANVIL M	1	PC.
018			324894-2	HAMMER	1	PC.
019			216019-1	STEEL BALL 3	24	PC.
020			267380-9	FLAT WASHER 20	1	PC.
021			234217-5	COMPRESSION SPRING 21	1	PC.
022			267813-4	WASHER 21	1	PC.
023			216002-8	STEEL BALL 4.8	2	PC.
024	2		221437-0	SPUR GEAR 17	2	PC.
025			324897-6	SPINDLE	1	PC.
026			268217-3	PIN 3.5	2	PC.
027			253052-2	FLAT WASHER 12	1	PC.
028			227316-0	INTERNAL GEAR 43	1	PC.
029			213479-8	O RING 33	1	PC.
030			141893-7	BEARING BOX COMPLETE	1	PC.
		INC.		Item No. 31		
031			210112-3	BALL BEARING 6801LLB	1	PC.
032	1		638396-5	YOKE UNIT	1	PC.
	2		632U16-9	YOKE UNIT	1	PC.
033			619320-7	ARMATURE	1	PC.
034	2		198887-3	* CARBON BRUSH CB-5 2PC/SET W/ORIGIN	1	SET
035	3		638614-1	* BRUSH HOLDER COMPLETE	1	PC.
038			263032-0	RUBBER PIN 4	2	PC.
039			455357-8	REAR COVER	1	PC.
040			266816-5	+ PAN HEAD SCREW M3X12 WITH WR	2	PC.
041			263038-8	RUBBER PIN 6	1	PC.
042			268284-8	PIN 1.5	1	PC.
C01			874652-1	CARTON	1	PC.
D01			652045-0	+PAN HEAD SCREW M3.5X5	2	PC.
ACCESSORIES			- See Catalogue or visit www.makita.ca for more accessories -			
A01			DC10WB	CHARGER DC10WB	1	PC.
A02			194551-4	10.8V LI-ION BATTERY BL1013	1	PC.
			195332-9	12V MAX LI-ION BATTERY BL1014	1	PC.

SERVICE CHANGES

1. Changes on Brush Holder and Carbon Brush T/I# C6032, C6841

Item No.	Description	Type 1	Type 2	Type 3
035	Brush Holder	632A69-8	632N40-0	638614-1
036	Spacer	689181-9		Removed
034	Carbon Brush	195021-6		198887-3

Above parts are completely interchangeable as a set.