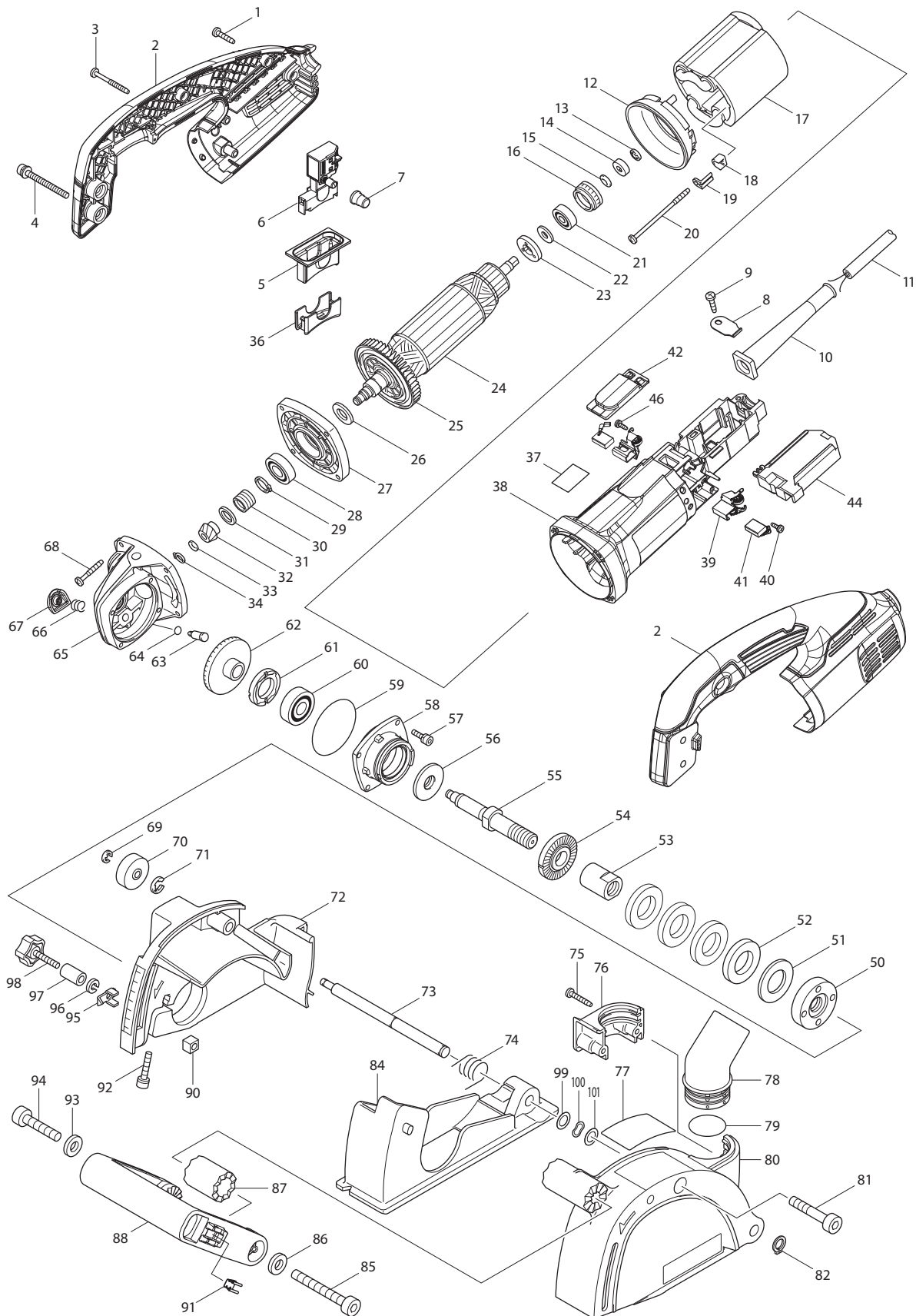




07 - 2014  
SG1251J  
5" WALL CHASER



Item No.	Type	Ref	Part No.	Description	Qty	Unit
001			265995-6	TAPPING SCREW 4X18	3	PC.
002			187942-6	HANDLE SET	1	PC.
003			266048-4	TAPPING SCREW 4X40	3	PC.
004			911263-2	PAN HEAD SCREW M5X40	2	PC.
005			424457-5	DUST COVER	1	PC.
006			650113-3	SWITCH SGEL115CDY-15	1	PC.
007			421459-2	DUST COVER	1	PC.
008			687169-3	STRAIN RELIEF	1	PC.
009			266192-7	TAPPING SCREW 4X14	1	PC.
010			682573-1	CORD GUARD 10	1	PC.
011			664276-9	CORD W/PLUG 2P-16-5.0M, SJ	1	PC.
012			413076-2	BAFFLE PLATE	1	PC.
013			259039-2	SELF LOCK 6	1	PC.
014			688117-5	MAGNET SLEEVE	1	PC.
015			267756-0	WAVE WASHER 6	1	PC.
016	1		421738-8	LABYRINTH RUBBER RING 22	1	PC.
	2		422750-1	LABYRINTH RUBBER RING 22	1	PC.
017	1		626676-1	* FIELD 115V	1	PC.
	2		621C56-4	* FIELD 115V	1	PC.
018			417237-6	* INSULATION COVER (removed)	2	PC.
019			344871-8	RETAINER	2	PC.
020			266258-3	TAPPING SCREW 4X70	2	PC.
021			210027-4	BALL BEARING 627DDW	1	PC.
022			253823-7	FLAT WASHER 7	1	PC.
023			681656-4	INSULATION WASHER	1	PC.
024			518159-4	ARMATURE ASS'Y 115V	1	PC.
		INC.		Item No. 21-23,25		
025			240033-5	FAN 57	1	PC.
026			253084-9	FLAT WASHER 12	1	PC.
027			317359-1	GEAR HOUSING COVER	1	PC.
028			210105-0	BALL BEARING 6001LLU	1	PC.
029			961052-5	RETAINING RING S-12	1	PC.
030			233901-9	LOCK SPRING 12	1	PC.
031			253052-2	FLAT WASHER 12	1	PC.
032	1		227429-7	SPIRAL BEVEL GEAR 9	1	PC.
033			253077-6	FLAT WASHER 6	1	PC.
034			961002-0	RETAINING RING S-6	1	PC.
036			452942-8	SWITCH COVER	1	PC.
038			455385-3	MOTOR HOUSING	1	PC.
039			643760-7	BRUSH HOLDER	2	PC.
040			266256-7	TAPPING SCREW PT3X10	2	PC.
041			196454-8	A.C. CARBON BRUSH CB-340 2PC/SET W/ORIGIN	1	SET
042			455386-1	MOTOR HOUSING COVER	1	PC.
044			620337-5	CONTROLLER	1	PC.
046			266256-7	TAPPING SCREW PT3X10	2	PC.
050			224577-3	LOCK NUT 14-45	1	PC.
051			331661-8	SPACER 3	1	PC.
052			331662-6	SPACER 6	4	PC.
053			257732-2	SLEEVE 14	1	PC.
054			224415-9	INNER FLANGE 42	1	PC.
055			324393-4	SPINDLE	1	PC.
056			415300-9	LABYRINTH RING	1	PC.
057			265490-6	HEX. SOCKET HEAD BOLT M4X16	4	PC.


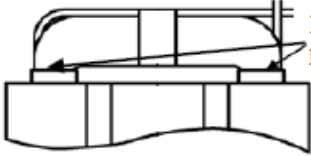
Item No.	Type	Ref	Part No.	Description	Qty	Unit
058			318302-3	BEARING BOX	1	PC.
059			213673-2	O RING 52	1	PC.
060			211129-9	BALL BEARING 6201DDW	1	PC.
061			285841-7	BEARING RETAINER	1	PC.
062			227430-2	SPIRAL BEVEL GEAR 35	1	PC.
063			256459-1	PIN	1	PC.
064			213048-5	O RING 6	1	PC.
065			153488-4	GEAR HOUSING COMPLETE	1	PC.
		INC.	211021-9	BALL BEARING 607LLB	1	PC.
066			233072-2	COMPRESSION SPRING 8	1	PC.
067			418067-8	PIN CAP	1	PC.
068			266257-5	TAPPING SCREW 4X28	4	PC.
069			961011-9	STOP RING E-4	1	PC.
070			257227-5	RING 6	1	PC.
071			961014-3	STOP RING E-8	1	PC.
072			142897-2	BLADE CASE COMPLETE	1	PC.
073			324392-6	SHOULDER SHAFT	1	PC.
074			231655-2	TORSION SPRING 11	1	PC.
075			266040-0	TAPPING SCREW CT 4X25	2	PC.
076			418390-1	DUST COVER	1	PC.
077			850F04-6	NAME PLATE F/ SG1251J	1	PC.
078			416741-2	ELBOW	1	PC.
079			213423-5	O RING 30	1	PC.
080			317725-2	COVER	1	PC.
081			922466-3	HEX.SOCKET HEAD BOLT M8X45	1	PC.
082			961006-2	RETAINING RING S-10	1	PC.
084			317723-6	BASE	1	PC.
085			922487-5	HEX. SOCKET HEAD BOLT M8X65	1	PC.
086			941201-0	FLAT WASHER 8	1	PC.
087			223145-9	CAM	1	PC.
090			252185-0	SQUARE NUT M6	1	PC.
091			344391-2	BIT HOLDER	1	PC.
092			922251-4	HEX. SOCKET HEAD BOLT M5X30	1	PC.
093			941201-0	FLAT WASHER 8	1	PC.
094			922462-1	HEX. SOCKET HEAD BOLT M8X40	1	PC.
095			345364-8	INDICATOR	1	PC.
096			942151-2	SPRING WASHER 6	1	PC.
097			257731-4	SLEEVE 7	1	PC.
098			251897-2	SCREW M6X33	1	PC.
099			253310-6	THIN WASHER 10	1	PC.
100			267783-7	WAVE WASHER 10	1	PC.
101			253310-6	THIN WASHER 10	1	PC.
D01			654037-5	INSULATED TERM. FT1.25-M3	2	PC.
D05			654510-5	INSULATED CONNECTOR 5.5-SD	1	PC.
D07			652008-6	PAN HEAD SCREW M3.5X7	2	PC.
<b><u>ACCESSORIES</u></b>				<b>- See Catalogue or visit <a href="http://www.makita.ca">www.makita.ca</a> for more optional accessories -</b>		
A01			A-94699	5" DIAMOND BLADE	2	PC.
			A-95152	5" DIAMOND BLADE	2	PC.
A02			782407-9	LOCK NUT WRENCH 35	1	PC.
A03			783204-6	HEX. WRENCH 6	1	PC.
A04	2		197213-3	INTERLOCKING TOOL CASE XL	1	PC.
		INC.	453974-8	LOCKING LATCH	4	PC.

<b>Item No.</b>	<b>Type</b>	<b>Ref</b>	<b>Part No.</b>	<b>Description</b>	<b>Qty</b>	<b>Unit</b>
A05			T-02571	FOAM INSERT F/INTERLOCK CASE	4	PC.
			838111-9	INNER TRAY F/INTERLOCKING CASE XL	1	PC.
A06			804Y86-4	INDICATION LABEL F/SG1251J	1	PC.
A07			804Y87-2	SG1251J PLASTIC CASE LABEL	2	PC.
A08			P-70421	JOINT HOSE A/S 36MM (F/ Connecting to 446L)	1	PC.
A09			417665-5	FRONT GRIP	1	PC.

**1. Changes on Field and elimination of Insulation cover (T/I#DH253)**

Item No.	Description	Type 1	Type 2
18	INSULATION COVER	417237-6	-----
17	FIELD 115V	626676-1	621C56-4

Above parts are completely interchangeable as a set.

	Current	New
[1]	Insulation covers (2 pcs) 	Eliminated
[2]-[45]	 Insulation papers	Insulation papers will be extended. 