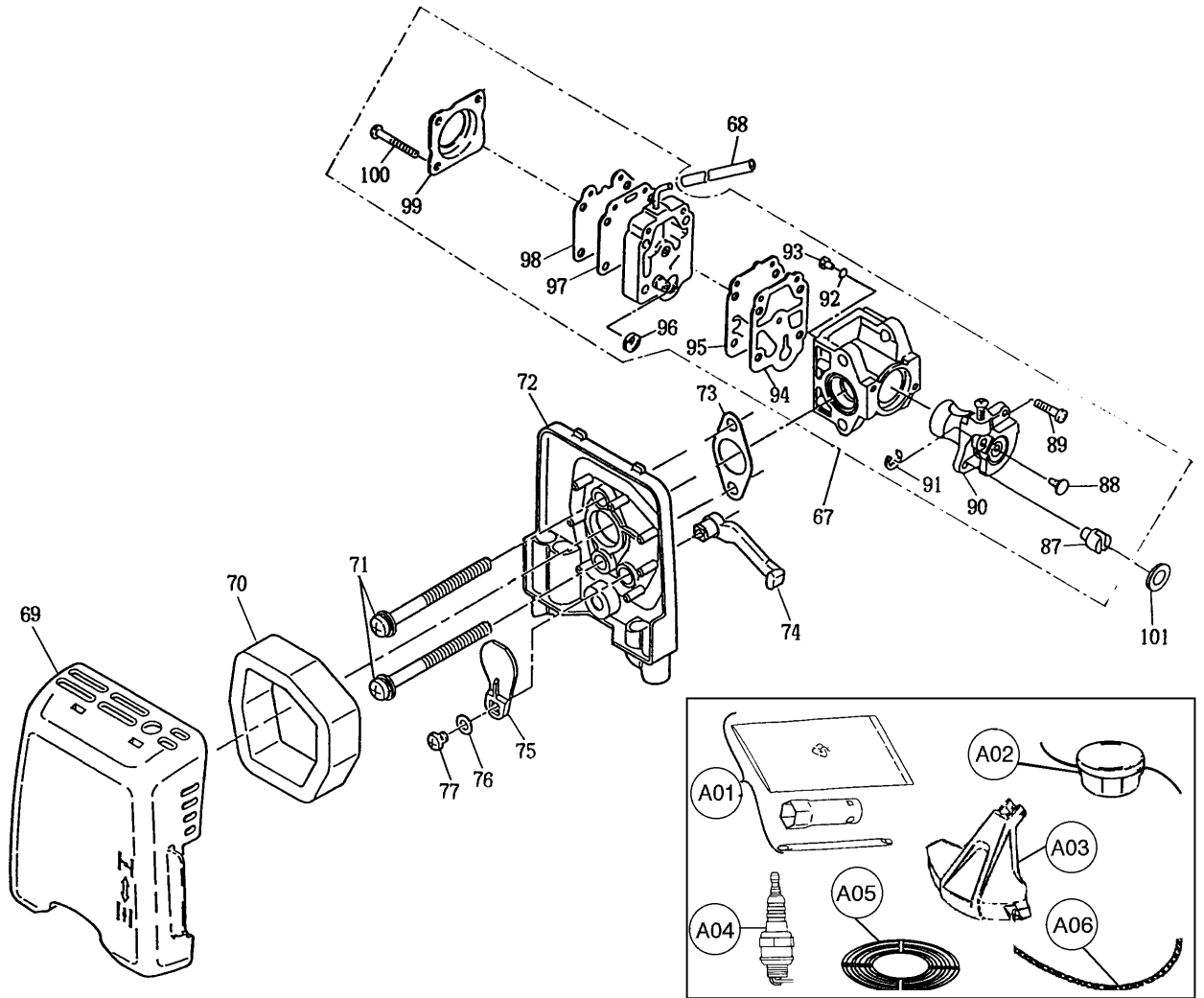


Item No.	Part No.	No. Used	Description	Item No.	Part No.	No. Used	Description
1	6161009001	1	Flexible Pipe Unit (Includes Item 16) (Old 6161009000)	16	6161005041	1	Spacer
2	6161005031	1	Flexible Shaft	17	0630039900	1	Control Cable
3	*	1	Gear Case Com. (Includes Items 79 - 86)	79	*	1	Cutter Shaft
4	6165006004	1	Control Lever Assy (Includes Items 5- 9)(Old 6165006003)	80	*	1	Metal Bush/Ball Bearing 608LLU
5	6165500601	1	Lever	81	6163002031	1	Ball Bearing 608LLU
6	6165500701	1	Connector	82	6163002051	1	Washer
7	6165009002	1	Switch Com. (Old 6165009001)	83	6163002061	1	Spring Washer
8	0150049920	3	Tapping Screw	84	6168500800	1	Receive Washer
9	0150049911	1	Tapping Screw (Old 0150049910)	85	6163002121	1	Bolt Assy
10	6164002003	1	Handle Com.	86	*	1	P.H. Screw M5x10
11	6164500200	1	Spacer	109	6163003041	1	Spacer (Added) *
12	0100069820	1	Bolt M6x45				
13	0023706000	1	Flange Nut				
				Accessories			
				A03	6168004003	1	Protector Assy

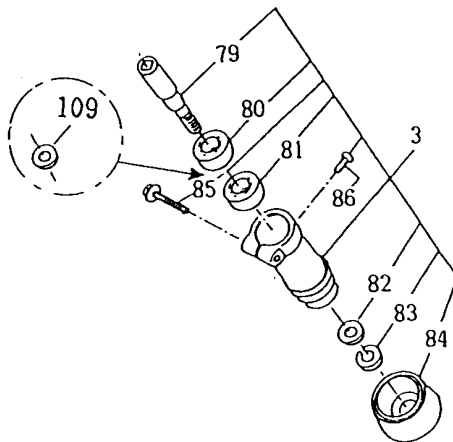
* SEE SERVICE CHANGES



Item No.	Part No.	No. Used	Description	Item No.	Part No.	No. Used	Description
67	5236047004	1	Carburetor (Includes Items 87-100) (Old 5236047003)	97	5016004130	1	Gasket
68	0851149960	1	Tube 2.5x5x140	98	5316005250	1	Metering Diaphragm Assy
69	5233504602	1	Air Cleaner Case	99	5316005030	1	Primer Pump Cover
70	5233504700	1	Air Cleaner Element	100	5216002020	1	Screw
71	0140059470	2	Screw Assy M5x62	101	5219500000	1	Holder
72	5233048001	1	Cleaner Plate	Accessories			
73	5233504200	1	Carburetor Gasket	A01	5019001000	1	Tool Kit
74	5233504801	1	Choke Lever	A02	B-70312	1	Super Auto Nylon Cutting Head4X(R.H.)
75	5233505002	1	Choke Plate		B-70340	1	Ultra Auto Nylon Cutting Head 4X(R.H.)
76	0031104000	1	Washer		B-60121	1	Ultra Auto Trimmer Head Assy 4X (R.H.)
77	0150049980	1	Tapping Screw M4x8	A03	6168004003	1	Protector Assy
87	5236018040	1	Swivel	A04	0650149810	1	Spark Plug
88	5206008110	1	Plug	A05	B-01971	1	Nylon Cord 2.4x5M (.095x16.4')
89	5206008030	2	Screw		B-01987	1	Nylon Cord 2.8x4M (.110x13')
90	5236047022	1	Throttle Valve Assy	A06	5215002060	1	Starter Rope
91	5316005120	1	Ring				
92	5246001010	1	O Ring				
93	5036002010	1	Jet (Old 5236029010)				
94	5246001030	1	Pump Gasket				
95	5246001040	1	Pump Diaphragm				
96	5016004010	1	Inlet Screen				

SERVICE CHANGES

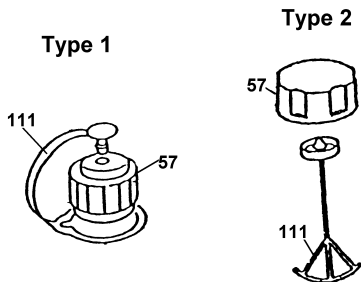
1. Change on Gear Case Com.



Item No.	Description	Type 1	Type 2
3	Gear Case Com.	6163002002 (No Longer Available)	6163003000
79	Cutter Shaft	6163002021 (No Longer Available)	6163003020
80	Metal Bush / Ball Bearing 608LLU	6163002041 (No Longer Available)	6163002031
81	Ball Bearing 608LLU	6163002031	
82	Washer	6163002051	
83	Spring Washer	6163002061	
84	Receiver Washer	6168500800	
85	Bolt Assy	6163002121	
86	Screw	0043105100 (No Longer Available)	0017005100
109	Spacer (Added)	-----	6163003041

Above parts are completely interchangeable as a set. (Except Item No 86)

2. Change on Fuel Tank Cap Assy and Strap Assy



Item No.	Description	Type 1	Type 2
57	Fuel Tank Cap Assy	5316015000 (No Longer Available)	5256058000
111	Strap Assy	6255021002 (No Longer Available) (6255021001)	5256067000

Above parts are completely interchangeable as a set.