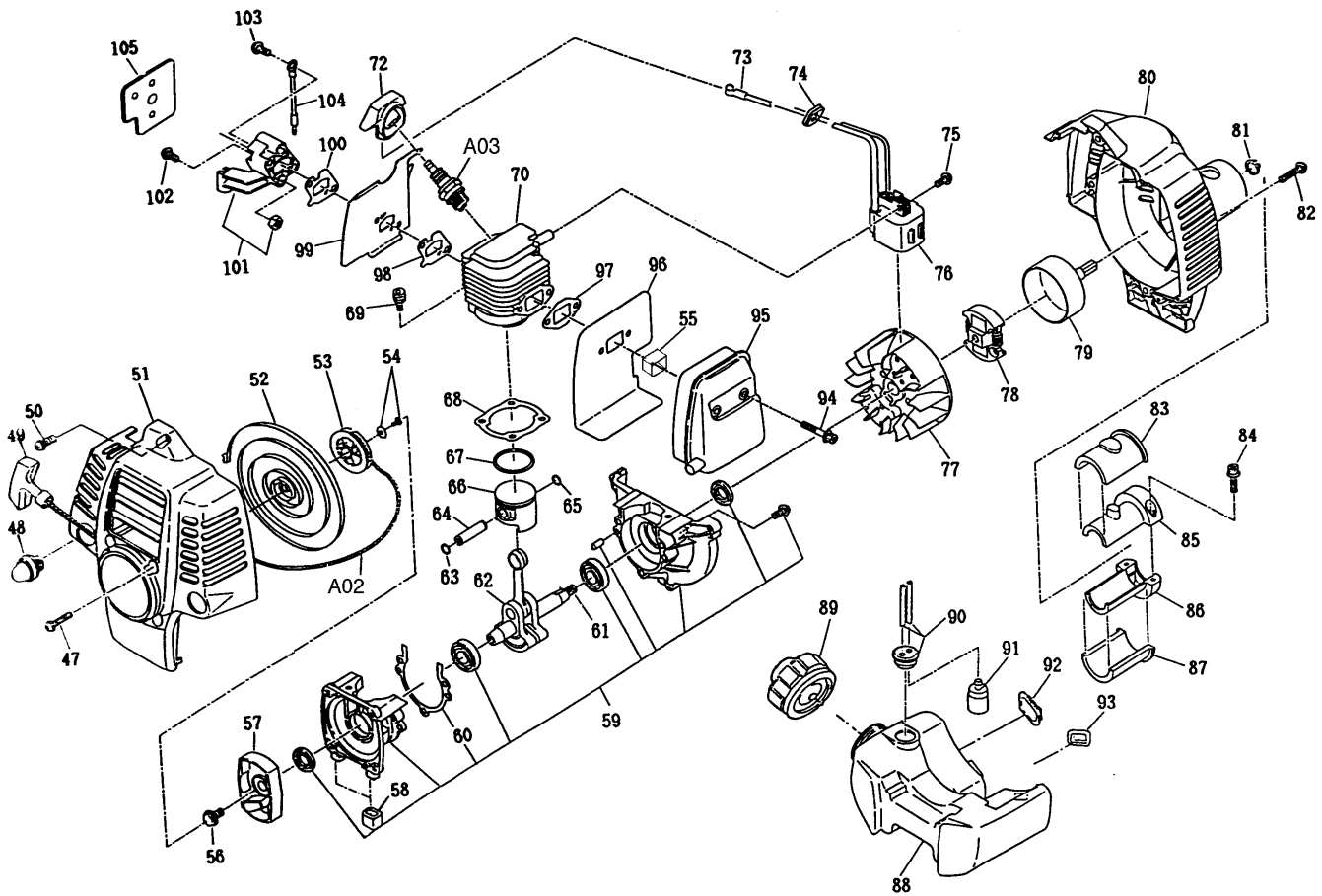


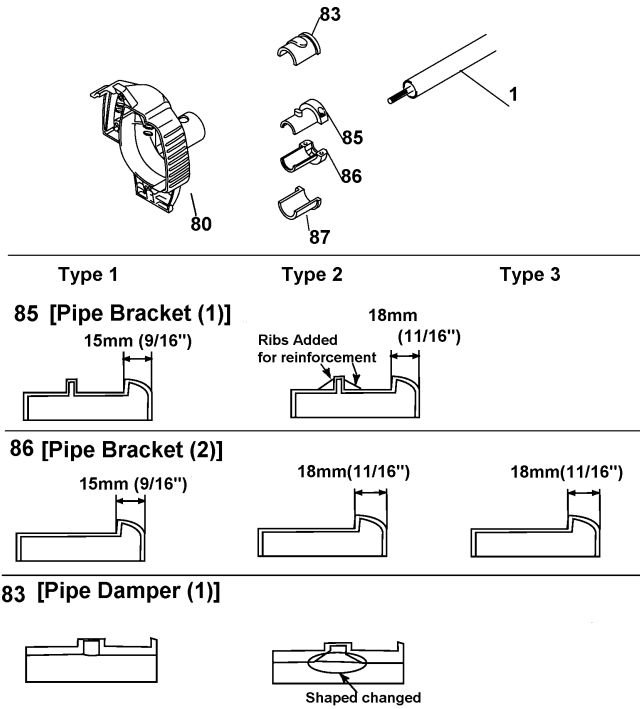
Item No.	Part No.	No. Used	Description	Item No.	Part No.	No. Used	Description
1	6021004000	1	Flexible Pipe Assy (Includes Items 41 & 42)	25	0031108000	1	Washer
2	0119059890	1	Socket Head Bolt M5x25	26	6937500000	1	Wheel
3	0119059490	1	Socket Head Bolt M5x14 (Old 0119059900)	27	6028501500	1	Spacer
4	6253011012	1	Bolt M6X9 (Old 6253011011)	28	0031108000	1	Washer
5	6023012003	1	Gear Case Set (Old 6023012001) (Includes Items 4, 6-12, & 22-24)	29	0032008000	1	Spring Washer
6	6212500300	1	Ball Bearing 609ZZ	30	0016608500	1	Bolt
7	0031424000	1	Inner Snap Ring	31	6028501101	1	Deflector
8	0031508000	1	Outer Snap Ring	32	0200059970	1	Washer
9	0600069990	1	Ball Bearing 626ZZ	33	0043105140	1	P.H. Screw M5x14
10	6023013001	1	Gear Set (Old 6023013000)	34	6214500001	1	Handle (Loop Type)
11	0600109910	1	Ball Bearing 6000DDU	35	0022705000	1	Nut M5
12	0031426000	1	Inner Snap Ring	36	0119059860	1	Socket Head Bolt M5x33
13	6028501300	1	Grip Bolt	37	6165009002	1	Switch Com.
14	0032008000	1	Spring Washer	38	0150049920	3	Tapping Screw
15	0031108000	1	Washer	39	0150049911	1	Tapping Screw (Old 0150049910)
16	6028500901	1	Plate	41	6021500900	1	Flexible Shaft
17	6028500701	1	Blade Cover	42	6021500500	1	Stopper
18	6028501200	3	Spacer	43	0630039900	1	Control Cable
19	6028500802	1	Plate	44	6165500701	1	Connector
20	6028501400	3	Screw	45	6165500601	1	Lever
22	*	1	Receive Washer	46	6165016003	1	Control Lever Assy (Includes Items (37 - 40, 44 & 45)(Old 6165016002)
23	*	1	Clamp Washer				
24	6258505001	1	Nut (With Spring Washer) (Old 6258505000)				
				<b>Accessories</b>			
				A01	6028501001	1	Blade



Item No.	Part No.	No. Used	Description	Item No.	Part No.	No. Used	Description
47	0140059450	4	Screw Assy (Old 0043605180)	79	6252014002	1	Clutch Drum Com. (Spline)
48	5236504300	1	Pump	6022002000		1	Clutch Drum Com. (Square)
49	5215002110	1	Starter Knob	80	5235029004	1	Engine Cover Com.
50	5235504600	1	Tapping Screw	81	0031512000	1	Outer Snap Ring
51	5235027001	1	Starter Cover Com. (Includes Items 49, 52- 54, 57 & A02)	82	0140059510	3	Screw M5x20
52	5235024032	1	Spiral Spring	83	*	1	Pipe Damper (1)
53	5235024012	1	Reel	84	0119059950	2	Socket Head Bolt M5x18
54	5425003010	1	Set Screw	85	*	1	Pipe Bracket (1)
55	5233506600	1	Spark Arrester (Added)	86	*	1	Pipe Bracket (2)
56	5235504700	1	Bolt Assy	87	6251506703	1	Pipe Damper (2)(Old 6251506701)
57	5235025001	1	Pulley	88	5236504101	1	Fuel Tank
58	5216500200	2	Damper	89	5256058000	1	Fuel Tank Cap Assy
59	5231011001	1	Crankcase Com. (Includes Item 60, Ball Bearing - 2X0600129850 & 2X0440129970 - Oil Seal)	90	5236048003	1	Tube (Old 5236048001)
60	5231502202	1	Crankcase Gasket	91	5236503900	1	Filter
61	0105064970	1	Stud	92	5036500300	1	Plate
62	<b>5252016000</b>	1	Crankshaft Com. (Includes Item 61) (Old 5232011006)	93	5036500200	1	Plate
63	0565089970	1	Clip	94	0119059600	2	Socket Head Bolt M5x45
64	5232502600	1	Piston Pin	95	<b>5253033001</b>	1	Exhaust Muffler (Old 5233041001)
65	0565089970	1	Clip	96	5233505301	1	Muffler Insulator
66	5232501902	1	Piston	97	5233504302	1	Muffler Gasket
67	5242500701	1	Piston Ring	98	5233503902	1	Insulator Gasket
68	5231502304	1	Cylinder Gasket	99	5233505201	1	Carburetor Insulator
69	0119059730	2	Socket Head Bolt M5x20	100	5233503902	1	Insulator Gasket
70	5231501804	1	Cylinder	101	5233038001	1	Insulator Com.
72	5237503301	1	Plug Cap	102	0140059500	1	Screw M5x25
73	0654009931	1	Plug Cap Spring	103	0140059500	1	Screw M5x25
74	5237503202	1	Grommet	104	6165501200	1	Wire
75	0140049920	2	Screw Assy M4x20	105	5233504103	1	Insulator Gasket
76	5237031024	1	Coil (Old 5237031023)	<b>Accessories</b>			
77	5237031011	1	Flywheel	A02	5235024022	1	Starter Rope (? 3.5x890mm)
78	6162005002	1	Clutch Assy	SD 4100 4.5		1	Starter Rope (9/64"x250')
				A03	0650149810	1	Spark Plug

**SERVICE CHANGE**

2. Change on Pipe Damper(1), Pipe Bracket (1) and Pipe Bracket (2).

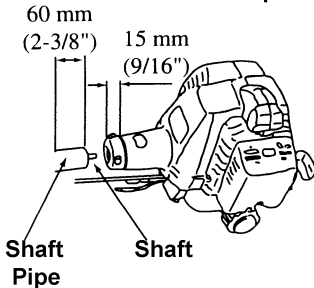


Item No.	Description	Type 1	Type 2	Type 3
83	Pipe Damper (1)	6251506601 (No Longer Available)	6251506602	6251506604
85	Pipe Bracket (1)	6251506800	6251509500	6251509501
86	Pipe Bracket (2)	6251506901	6251509600	

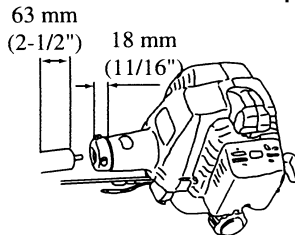
Instructions when repairing:

When the current parts have been replaced with new parts, the length of fit of Shaft Pipe to be inserted becomes longer by 3mm, as illustrated below. Therefore, always make sure that the Shaft Pipe has been inserted to the proper position. Insufficient insertion of the Shaft Pipe may cause failure and excessive load to the main unit of machine; for example, the blade does not rotate.

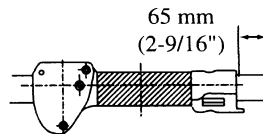
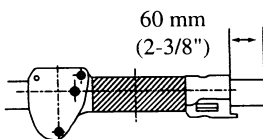
**For machines with old parts**

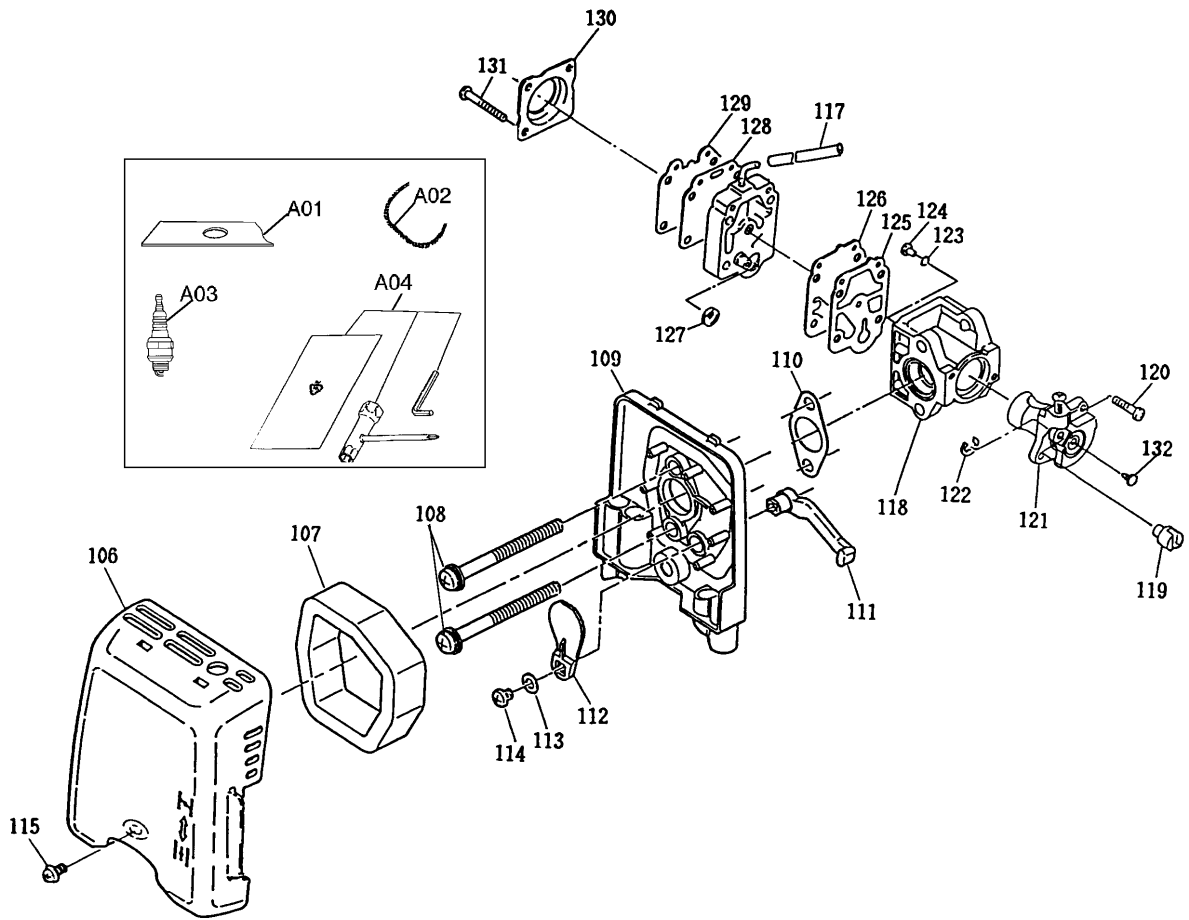


**For machines with new parts**



When re-assembling Control Lever Assy, mount the Control Lever Assy in the position as shown below:

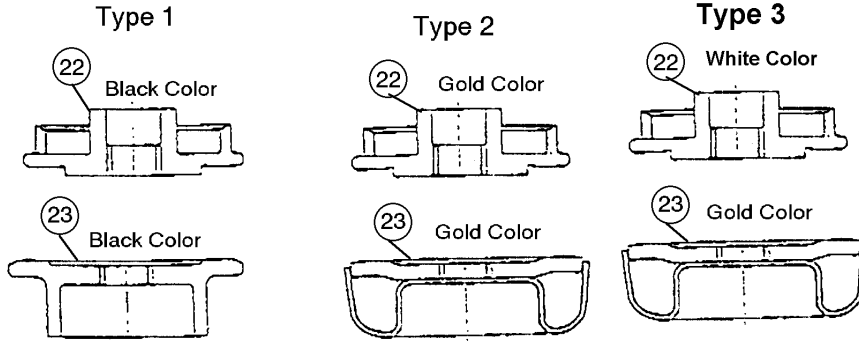




Item No.	Part No.	No. Used	Description	Item No.	Part No.	No. Used	Description
106	5233505503	1	Air Cleaner Case	125	5246001030	1	Pump Gasket
107	5233504700	1	Air Cleaner Element	126	5246001040	1	Pump Diaphragm
108	0140059470	2	Screw Assy M5x62	127	5016004010	1	Inlet Screen
109	5233047001	1	Cleaner Plate	128	5016004130	1	Gasket
110	5233504200	1	Carburetor Gasket	129	5316005250	1	Metering Diaphragm Assy
111	5233504801	1	Choke Lever	130	5316005030	1	Primer Pump Cover
112	5233505002	1	Choke Plate	131	5216002020	4	P.H. Screw
113	0031104000	1	Washer	132	5206008110	1	Plug (Added)
114	0150049980	1	Tapping Screw M4x8	<b>Accessories</b>			
115	0043605140	1	Screw Assy M5x14	A01	6028501001	1	Blade
117	0851149960	1	Tube 2.5x5x140	A02	5235024022	1	Starter Rope ( ? 3.5x890mm)
118	5236047004	1	Carburetor (Includes Items 119 - 131)	SD 4100 4.5	1	Starter Rope (9/64"x250')	
119	5236018040	1	Swivel	A03	0650149810	1	Spark Plug
120	5206008030	2	P.H. Screw	A04	6119019001	1	Tool Kit (Old 6119019000)
121	5236047022	1	Throttle Valve Assy				
122	5316005120	1	Ring				
123	5246001010	1	O Ring				
124	5036002010	1	Jet				

**SERVICE CHANGES**

**1. Change On Receive Washer And Clamp Washer.**



Item No.	Description	Type 1	Type 2	Type 3	Type 4
22	Receive Washer.	6218501600 (No Longer Available)	6218501601	6028501900	
23	Clamp Washer	6218501700 (No Longer Available)	6218003000		6218003001

Above parts are completely interchangeable as a set.