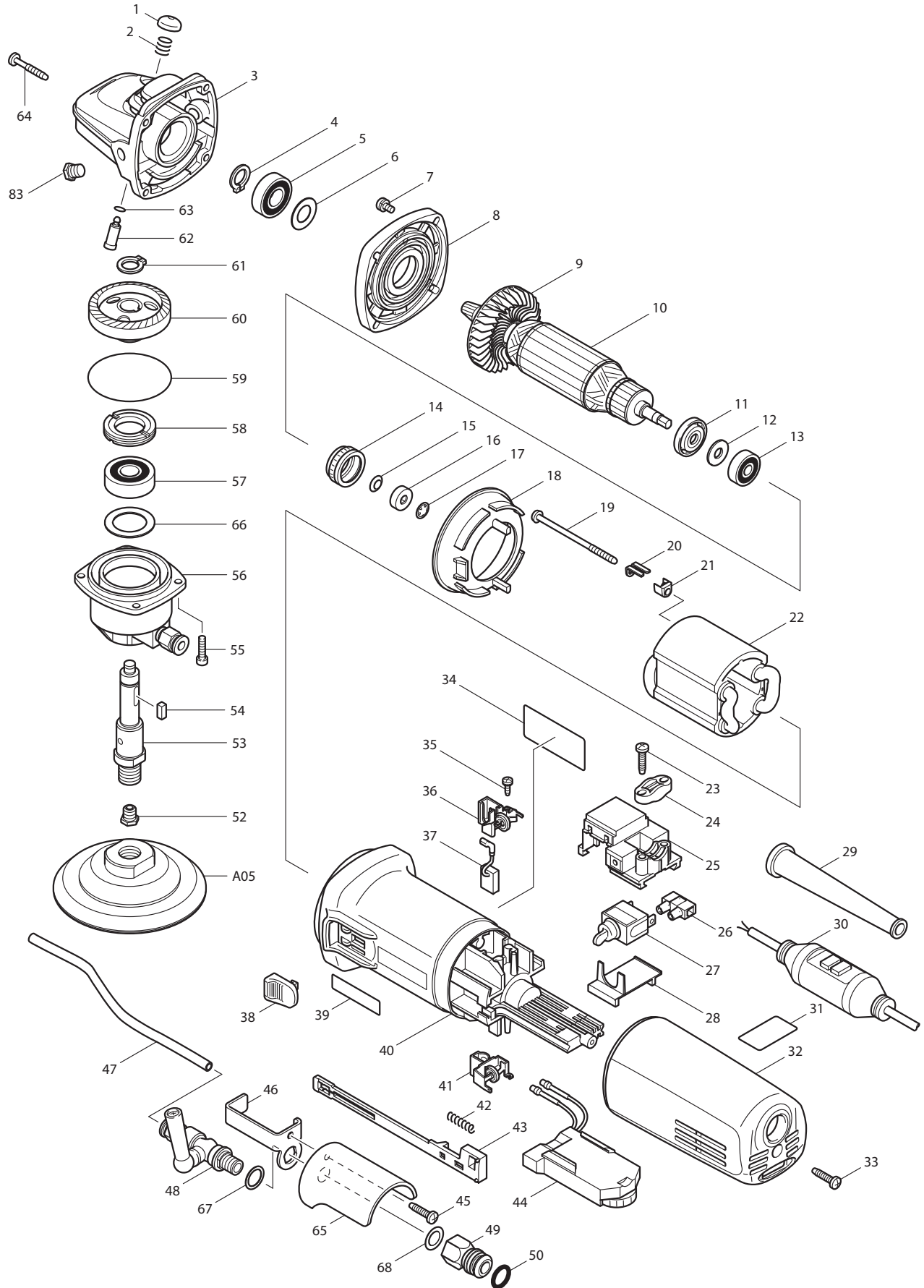
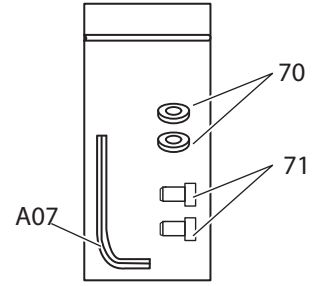
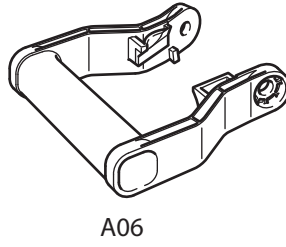
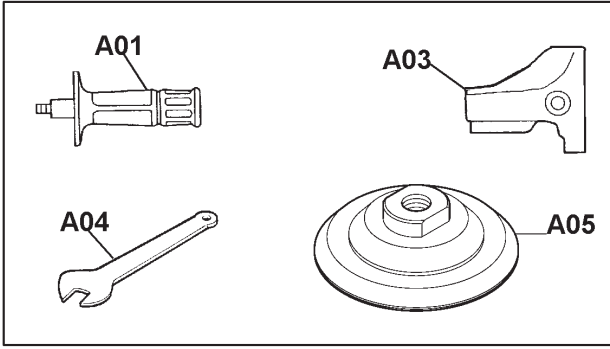




02 - 2013
PW5001C
5"(MAX) WET STONE POLISHER





Item No	Type	Ref	Part No	Description (*See Service Change)	Qty	Unit
001	2		418067-8	* PIN CAP	1	PC.
002			233072-2	COMPRESSION SPRING 8	1	PC.
		INC.		* BALL BEARING 607LLB	1	PC.
003	2		153488-4	* GEAR HOUSING COM.	1	PC.
		INC.	211021-9	* BALL BEARING 607LLB	1	PC.
004			961052-5	RETAINING RING S-12	1	PC.
005	2		210105-0	BALL BEARING 6001LLU	1	PC.
006			253084-9	FLAT WASHER 12	1	PC.
007			652014-1	PAN HEAD SCREW M4X8	1	PC.
008			317736-7	GEAR HOUSING COVER	1	PC.
009			240033-5	FAN 57	1	PC.
010			515266-4	ARMATURE ASS'Y 115V	1	PC.
		INC.		Item No.9,11,12,13		
011			681656-4	INSULATION WASHER	1	PC.
012			253823-7	FLAT WASHER 7	1	PC.
013			210027-4	BALL BEARING 627DDW	1	PC.
014	1		421738-8	LABYRINTH RUBBER RING 22	1	PC.
	2		422750-1	LABYRINTH RUBBER RING 22	1	PC.
015			267756-0	WAVE WASHER 6	1	PC.
016			688117-5	MAGNET SLEEVE	1	PC.
017			259039-2	SELF LOCK 6	1	PC.
018			418452-5	BAFFLE PLATE	1	PC.
019			266258-3	TAPPING SCREW 4X70	2	PC.
020			344871-8	RETAINER	2	PC.
021			417237-6	INSULATION COVER	2	PC.
022			626546-4	FIELD 115V	1	PC.
023			265995-6	TAPPING SCREW 4X18	2	PC.
024	1		687063-9	CORD CLAMP (STRAIN RELIEF)	1	PC.
	2		687053-2	STRAIN RELIEF	1	PC.
025			632999-7	SWITCH BLOCK	1	PC.
026			654532-5	TERMINAL BLOCK 1P	1	PC.
027			651418-4	SWITCH ST115A-40	1	PC.
028			687113-0	COVER	1	PC.
029	1		682559-5	CORD GUARD 8	1	PC.
	2		682566-8	CORD GUARD 10	1	PC.
030	1		699025-5	POWER SUPPLY CORD UNIT	1	PC.
		INC.	652756-7	RESIDUAL CURRENT DEVICE	1	PC.
	2		699205-3	POWER SUPPLY CORD UNIT	1	PC.
		INC.	652125-2	RESIDUAL CURRENT DEVICE	1	PC.
031			816399-1	INDICATION LABEL	1	PC.
	3		418453-3	* REAR COVER (W/O CAUTION LABEL)	1	PC.
	4		141S97-5	* REAR COVER (WCAUTION LABEL)	1	PC.
		INC.	8070Y9-6	* CAUTION LABEL	1	PC.
033			265995-6	TAPPING SCREW 4X18	1	PC.
034			860103-0	NAME PLATE PW5001C	1	PC.
035			266256-7	TAPPING SCREW PT3X10	4	PC.
036			643765-7	BRUSH HOLDER	1	PC.
037	2		194999-0	A.C. CARBON BRUSH CB-318 2PC/SET (W/ ORIGIN)	1	SET
	4		196454-8	A.C. CARBON BRUSH CB-340 2PC/SET (W/ ORIGIN)	1	SET
038			417813-6	SWITCH KNOB	1	PC.
		INC.	810014-9	CAUTION LABEL	1	PC.

Item No	Type	Ref	Part No	Description (*See Service Change)	Qty	Unit
040	2		418512-3	MOTOR HOUSING (W/O CAUTION LABEL)(OLD# 153757-3 - N/L/A)	1	PC.
041			643765-7	BRUSH HOLDER	1	PC.
042			233071-4	COMPRESSION SPRING 4	1	PC.
043			417186-7	SWITCH LEVER	1	PC.
044			631594-0	CONTROLLER	1	PC.
045			265995-6	TAPPING SCREW 4X18	1	PC.
046			345372-9	PLATE	1	PC.
047			245031-4	HOSE	1	PC.
048	2		154649-9	COCK COM.	1	PC.
		INC.	243098-6	JOINT	1	PC.
049			331669-2	HOSE JOINT	1	PC.
050			213107-5	O RING 12	1	PC.
052	2		325967-4	NOZZLE (2 diagonal holes & 2 side holes)	1	PC.
053			324408-7	SPINDLE	1	PC.
054			254202-2	KEY 4	1	PC.
055			265490-6	HEX. SOCKET HEAD BOLT M4X16	4	PC.
056			153717-5	BEARING BOX COMPLETE	1	PC.
		INC.	213280-1	OIL SEAL 17	2	PC.
		INC.	243098-6	JOINT	1	PC.
057			211129-9	BALL BEARING 6201DDW	1	PC.
058			285841-7	BEARING RETAINER	1	PC.
059			213673-2	O RING 52	1	PC.
060			227455-6	SPIRAL BEVEL GEAR 38	1	PC.
061			961052-5	RETAINING RING S-12	1	PC.
062			256459-1	PIN	1	PC.
063			213048-5	O RING 6	1	PC.
064			266257-5	TAPPING SCREW 4X28	4	PC.
065			162235-2	COVER	1	PC.
066			267126-3	FLAT WASHER 22	1	PC.
067			261128-1	RUBBER WASHER 12	1	PC.
068			261127-3	FLUOROPLASTIC WASHER 10	1	PC.
069			265083-9	+ FLAT HEAD SCREW M8X11 (F/HEAD COVER)	2	PC.
070			941201-0	FLAT WASHER 8 (F/FRONT GRIP)	2	PC.
071			922422-3	H.S.H BOLT M8X16 (F/FRONT GRIP)	2	PC.
080			345587-8	* BAND A (F/DUST COVER COM.)	1	PC.
081			345588-6	* BAND B (F/DUST COVER COM.)	1	PC.
082			251391-4	* P.H.SCREW M5X6 (F/DUST COVER COM.)	2	PC.
083			265083-9	+ FLAT HEAD SCREW M8X11 (F/ GEAR HOUSING COM.)	1	PC.
100			652037-9	P.H.SCREW M3.5X8 (F/SWITCH)	2	PC.
101			654002-4	TERMINAL 1.25-M4 (F/EARTH)	1	PC.
102			654037-5	INSULATED EYE TERMINAL FT1.25-M3 (F/SWITCH)	2	PC.
E05			810229-8	CAUTION LABEL	1	PC.

ACCESSORIES

- See catalogue or visit www.makita.ca for more optional accessories -

A01	2		153489-2	GRIP 36 COMPLETE (Resin Grip)	1	PC.
A02			D-15805	POLISHING PAD SET (8PCS/SET)	1	SET
A03	2		141122-8	* HEAD COVER COM. (TYPE 3) (from Serial#45983E, Dec2010)	1	PC.
		INC.	810014-9	* CAUTION LABEL	1	PC.
	3		144016-6	* HEAD COVER COM.	1	PC.
		INC.	810014-9	* CAUTION LABEL	1	PC.
	4		417322-5	* HEAD COVER	1	PC.

Item No	Type	Ref	Part No	Description (*See Service Change)	Qty	Unit
		INC.	810014-9	* CAUTION LABEL	1	PC.
A04			781008-0	WRENCH 17	1	PC.
A05			743079-5	RUBBER PAD 100	1	PC.
A06			418507-6	FRONT GRIP	1	PC.
A07			783204-6	HEX WRENCH 6 (F/FRONT GRIP)	1	PC.
A08			154662-7	* DUST COVER COM.	1	PC.
		INC.	443121-9	* DUST COLLECT BRUSH	1	PC.
A09			988 394 610	PRESSURISED WATER TANK 10L	1	PC.

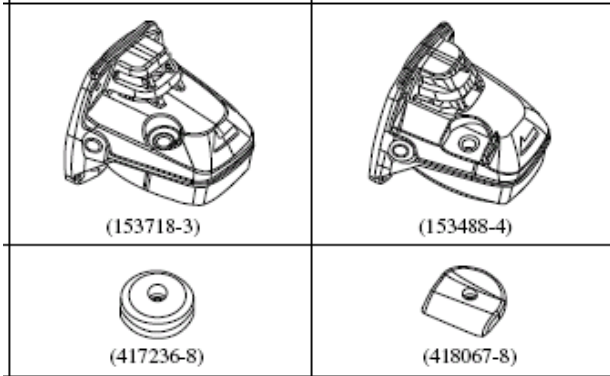
SERVICE CHANGES

1. Changes of Gear Housing

(T/I# 76564)

Item No.	Description	Type 1	Type 2
1	PIN CAP	417236-8	418067-8
3	GEAR HOUSING COM.	153718-3 - N/L/A	153488-4

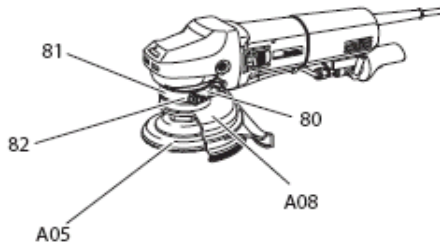
Above parts are completely interchangeable as a set.



2. Addition of Dust Cover Complete, Band A, Band B and P.H.Screw

(T/I# 72396)

Item No.	Description	Type 1	Type 2
A08	Dust Cover Complete	----	154662-7
Component of A08	Dust Collect Brush	----	443121-9
80	Band A	----	345587-8
81	Band B	----	345588-6
82	P.H. Screw	----	251391-4



3. Change on Rear Cover and Head Cover

(T/I# 76813)

(T/I# 91063)

(T/I#B2236)

(T/I#DM184)

Item No.	Description	Type 1	Type 2	Type 3	Type 4	Type 5
32	Rear Cover	418453-3 (W/O Label)	158195-4 (W/ Label)	418453-3 (W/O Label)		141S97-5 (W/ Label)
A03	Head Cover	417322-5 (W/O Label)		141122-8 (W/ Label)	144016-6 (W/ Label)	417322-5 (W/O)