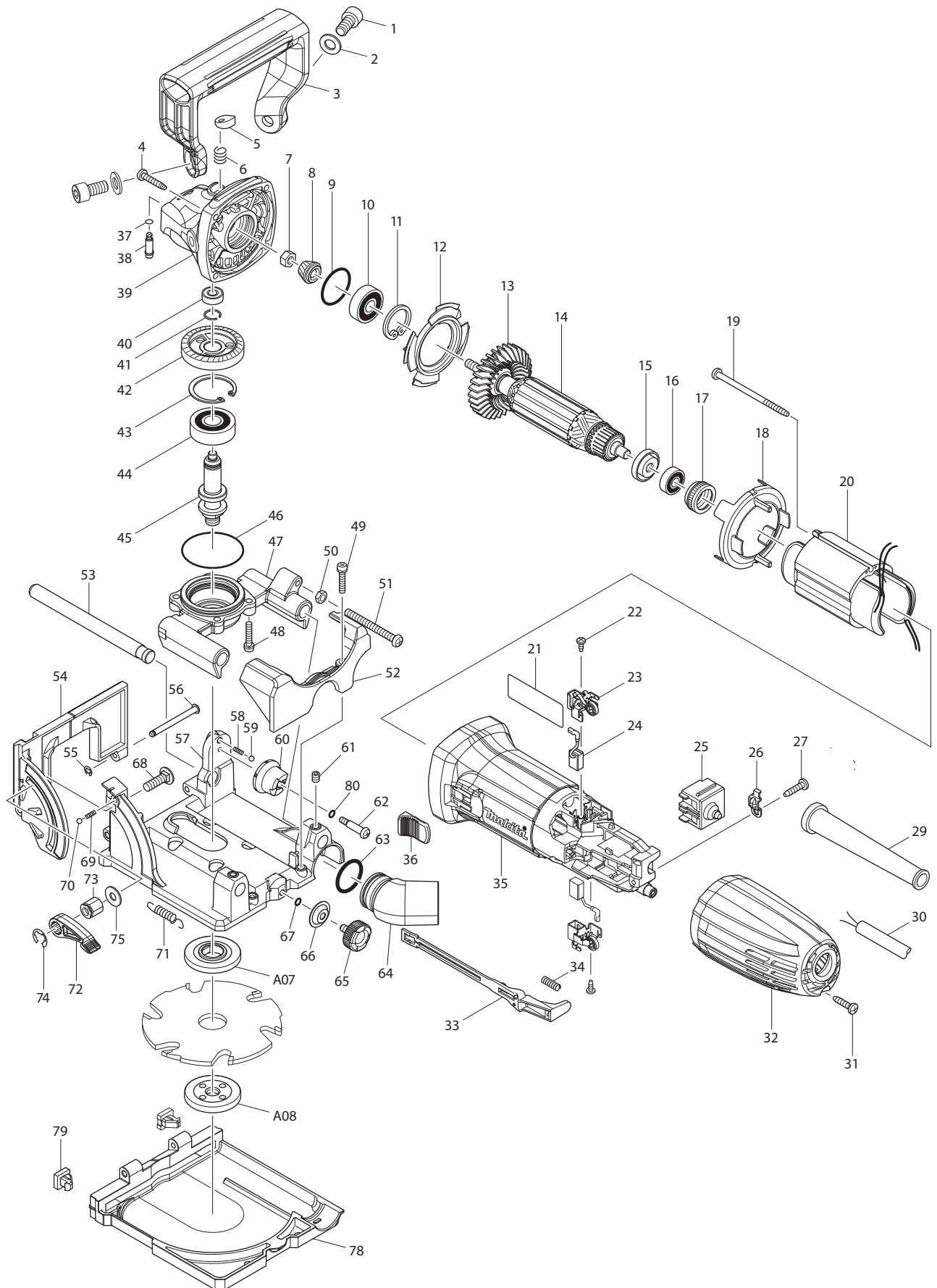




11 - 2011
PJ7000
BISCUIT JOINER



Item No.	Type	Sub	Part No.	Description	Qty	Unit
001			922422-3	HEX. SOCKET HEAD BOLT M8X16	2	PC.
002			941202-8	FLAT WASHER 8	2	PC.
003			453218-6	GRIP	1	PC.
004			266324-6	TAPPING SCREW 4X22	4	PC.
005			417771-6	PIN CAP	1	PC.
006			234057-1	COMPRESSION SPRING 8	1	PC.
007			252186-8	HEX. NUT M6	1	PC.
008			227545-5	SPIRAL BEVEL GEAR 10	1	PC.
009			213445-5	O-RING 26	1	PC.
010			211092-6	BALL BEARING 629DDW	1	PC.
011			962105-3	RETAINING RING R-26	1	PC.
012			413126-3	GUIDE PLATE	1	PC.
013	1		240107-2	FAN 56	1	PC.
	2		240139-9	FAN 56	1	PC.
014			517646-0	ARMATURE ASS'Y 115V	1	PC.
		INC.		Item No. 13,15,16		
015			681636-0	INSULATION WASHER	1	PC.
016			210034-7	BALL BEARING 607LLB	1	PC.
017			421868-5	LABYRINTH RUBBER RING 19	1	PC.
018			450796-7	BAFFLE PLATE	1	PC.
019			266325-4	TAPPING SCREW 4X70	2	PC.
020	2		635111-8	FIELD 115V	1	PC.
021			896483-8	NAME PLATE F/PJ7000	1	PC.
022			266492-5	TAPPING SCREW 3X8	2	PC.
023			643839-4	BRUSH HOLDER 6X9	2	PC.
024			195025-8	CARBON BRUSH CB-458 2PC/SET	1	SET
025			650621-4	SWITCH PS10	1	PC.
026			687681-3	STRAIN RELIEF	1	PC.
027	2		265A48-7	TAPPING SCREW 4X18	1	PC.
029			682502-4	CORD GUARD 8-85	1	PC.
030			664064-4	CORD W/PLUG 2P-18-2.5M, SJ	1	PC.
031	2		265A48-7	TAPPING SCREW 4X18	1	PC.
032			450794-1	REAR COVER	1	PC.
033			450797-5	SWITCH LEVER	1	PC.
034			233121-5	COMPRESSION SPRING 4	1	PC.
035			141325-4	MOTOR HOUSING COMPLETE	1	PC.
		INC.	890412-3	CAUTION LABEL, FR/SP	1	PC.
036			419566-3	SWITCH KNOB	1	PC.
037			213032-0	O RING 4	1	PC.
038			256510-7	SHOULDER PIN 4	1	PC.
039			141327-0	GEAR HOUSING COMPLETE	1	PC.
		INC.	263002-9	RUBBER PIN 4	1	PC.
040			210033-9	BALL BEARING 696ZZ	1	PC.
041			233950-6	RING SPRING 11	1	PC.
042			227546-3	SPIRAL BEVEL GEAR 37	1	PC.
043			962151-6	RETAINING RING R-32	1	PC.
044			211129-9	BALL BEARING 6201DDW	1	PC.
045			326120-5	SPINDLE	1	PC.
046			213561-3	O RING 42	1	PC.
047			318811-2	BEARING BOX	1	PC.
048			911136-9	PAN HEAD SCREW M4X20	4	PC.
049			911136-9	PAN HEAD SCREW M4X20	2	PC.
050			931203-4	HEX. NUT M5	1	PC.

Item No.	Type	Sub	Part No.	Description	Qty	Unit
051			266741-0	PAN HEAD SCREW M5X50	1	PC.
052			453406-5	BASE COVER	1	PC.
053			326145-9	ROD 10	2	PC.
054			141247-8	FENCE COMPLETE	1	PC.
		INC.	890236-7	SCALE PLATE	1	PC.
055			961017-7	STOP RING E-3	2	PC.
056			256689-4	PIN 4	2	PC.
057			318813-8	BASE	1	PC.
058			231282-5	COMPRESSION SPRING 2.4	1	PC.
059			216001-0	STEEL BALL 3.5	1	PC.
060			318814-6	STOPPER	1	PC.
061			266264-8	H.S.SET SCREW(FLAT POINT)M5X6	2	PC.
062			266738-9	+PAN HEAD SCREW M4	1	PC.
063			213008-7	O RING 22.4	1	PC.
064			415252-4	DUST NOZZLE	1	PC.
065			265785-7	THUMB SCREW M5X10	1	PC.
066			232131-9	LEAF SPRING	1	PC.
067			213023-1	O RING 4	1	PC.
068			266737-1	FLAT HEAD SQ. NECK BOLT M6X20	1	PC.
069			231282-5	COMPRESSION SPRING 2.4	1	PC.
070			216001-0	STEEL BALL 3.5	1	PC.
071			231795-6	TENSION SPRING 8	2	PC.
072			272263-0	LEVER 40	1	PC.
073			252159-1	HEX. NUT M6	1	PC.
074			961014-3	STOP RING E-8	1	PC.
075			253804-1	FLAT WASHER 6	1	PC.
078			318845-5	BLADE COVER	1	PC.
079			424479-5	RUBBER SPIKE	2	PC.
080			213023-1	O RING 4	1	PC.
C01			872686-8	CARTON F/PJ7000	1	PC.
D01			652044-2	+BIND SCREW M3.5X5.0	2	PC.
D03			654593-5	SPLICE	2	PC.

ACCESSORIES

A01			123148-2	ANGLE GUIDE ASSEMBLY	1	PC.
		INC.	266736-3	HEX BOLT M6X20	1	PC.
		INC.	317049-6	CLAMP	1	PC.
		INC.	141245-2	ANGLE GUIDE COMPLETE (N/A as individually)	1	PC.
		INC.	253804-1	FLAT WASHER 6	1	PC.
		INC.	272263-0	LEVER 40	1	PC.
		INC.	252159-1	HEX. NUT M6	1	PC.
		INC.	961014-3	STOP RING E-8	1	PC.
		INC.	271616-0	THUMB 20	1	PC.
		INC.	253186-1	FLAT WASHER 7	1	PC.
		INC.	226217-9	SPUR GEAR 16	1	PC.
		INC.	961017-7	STOP RING E-3	2	PC.
	2	INC.	232278-9	LEAF SPRING	1	PC.
A02			123150-5	DUST BAG ASSEMBLY	1	PC.
		INC.	410602-8	FASTENER	1	PC.
A03			415579-2	SET PLATE 4	1	PC.
A04			A-95118	4" C.T. CUTTER BLADE 6 T, 22MM	1	PC.
A05			782401-1	LOCK NUT WRENCH 20	1	PC.

Item No.	Type	Sub	Part No.	Description	Qty	Unit
A06			821509-7	PLASTIC CARRYING CASE	1	PC.
		INC.	163455-1	LATCH	2	PC.
A07			224280-6	INNER FLANGE 40	1	PC.
A08			224505-8	LOCK NUT 10-40	1	PC.
A09			-----	PLATE JOINER BISCUITS		