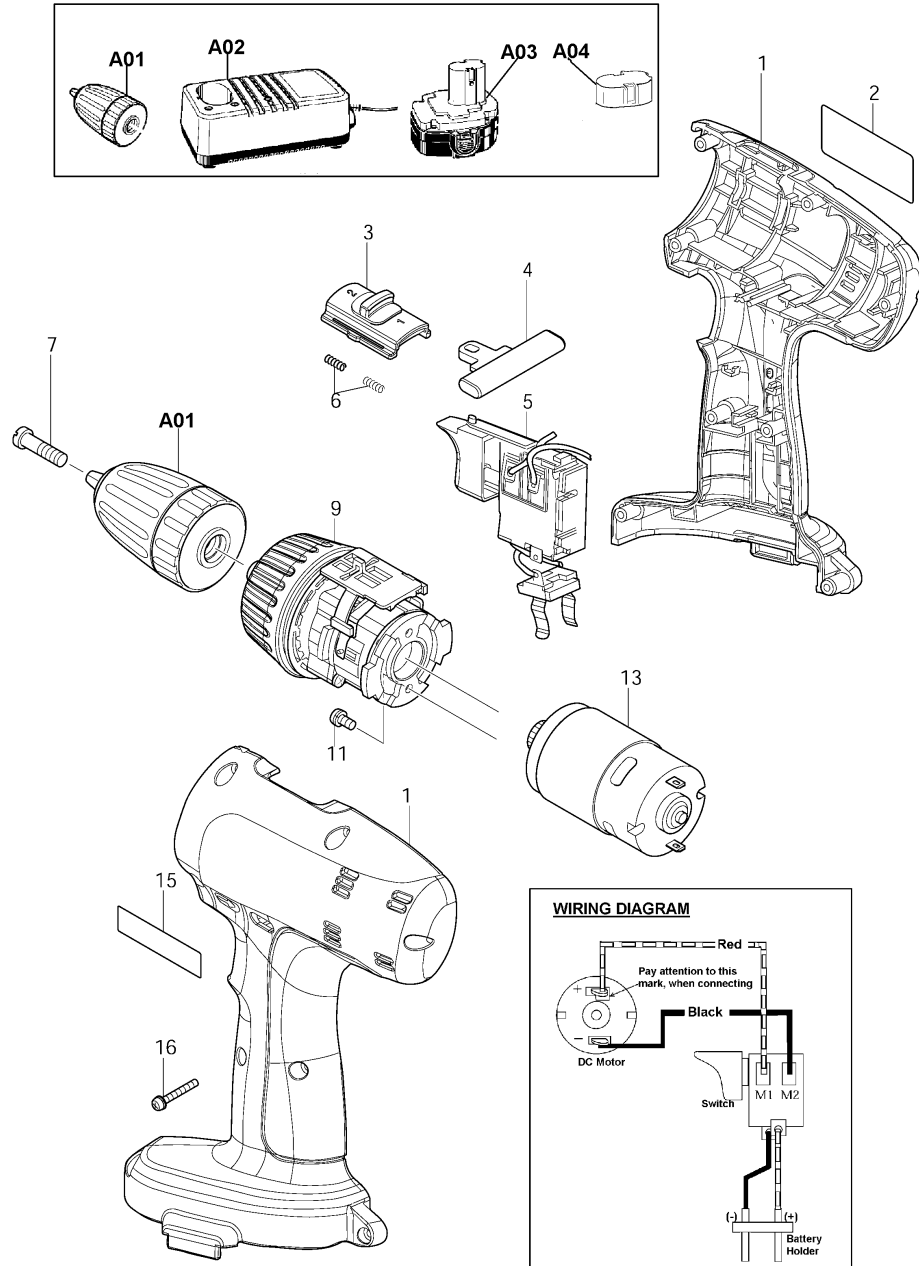


maktec® 18V 1/2" 2-VAR SPD DRILL KIT

by *Makita*

Model MT065SK2(MKC)



Item No.	Part No.	No. Used	Description	Item No.	Part No.	No. Used	Description
1	183814-3	1	Housing Set (Includes Item 15)	Accessories			
3	418166-6	1	Speed Change Lever	A01	763182-6	1	1/2" Keyless Drill Chuck - Bulk
4	417980-7	1	Change Lever	A02	DC1850	1	Charger DC1850 F/9.6V-18V Battery (1.3Ah)
5	650529-2	1	Switch	A03	193971-9	1	18V Ni-Cad Battery 1850 (1.3Ah)
6	233352-6	2	Compression Spring 4	A04	417922-1	1	Battery Cover
7	251468-5	1	(-) Flat Head Screw M6X22	A05	183818-5	1	Plastic Carrying Case (Includes Items 100 & A06)
9	125208-6	1	Gear Assy				(Photo not Available)
11	265126-7	2	P. H. Screw M4X8	A06	182935-8	1	Slide Latch (R,L) Set
13	629807-1	1	DC Motor				
15	819126-5	1	Maktec Logo Label				
16	265109-7	8	P. H. Screw M3X22				
100	819159-0	1	Maktec Logo Label				