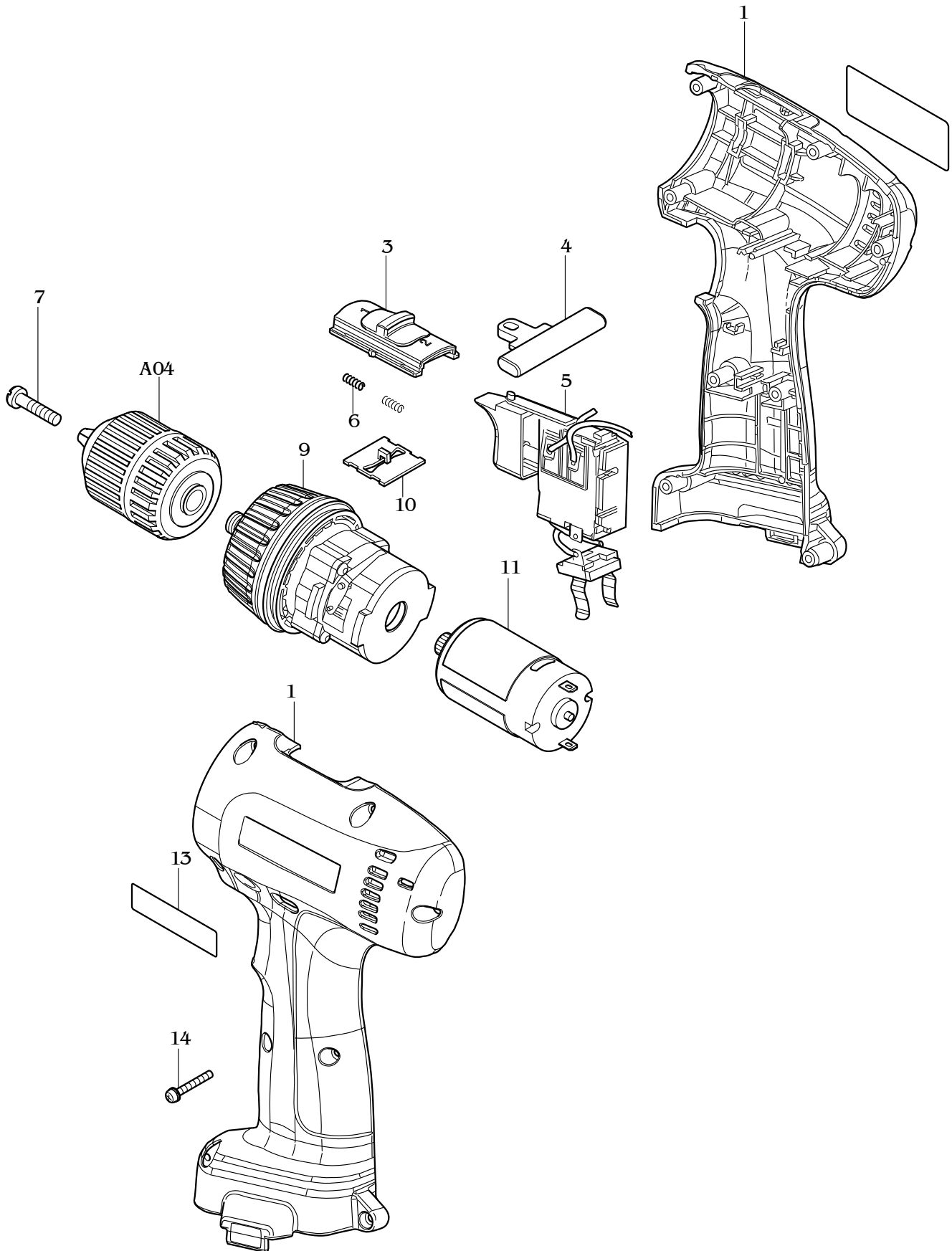




12 - 2007
MT062SK2
9.6V 3/8" 2-VAR SPD DRILL KIT



Item#	Part#	Description	Q'ty	Unit
1	183816-9	HOUSING SET (INCLUDES ITEM 13)	1	SET
3	417982-3	SPEED CHANGE LEVER	1	PC.
4	417980-7	CHANGE LEVER	1	PC.
5	650531-5	SWITCH DGT-1225A-07, SINGLE, W/O LOCK, VAR/REV	1	PC.
6	233352-6	COMPRESSION SPRING 4	2	PC.
7	251451-2	(-) P.H. SCREW M5X22	1	PC.
9	125176-3	GEAR ASSY	1	PC.
10	417981-5	LEVER HOLDER	1	PC.
11	629795-2	DC MOTOR	1	PC.
13	819126-5	MAKTEC LOGO LABEL	1	PC.
14	265109-7	P.H. SCREW M3X22	8	PC.
<u>ACCESSORIES</u>				
A01	417922-1	BATTERY COVER	2	PC.
A02	183817-7	PLASTIC CARRYING CASE [INCLUDES 819159-0 - MAKTEC LOGO LABEL & 185935-8 - SLIDE LATCH (R&L) SET]	1	PC.
A03	638344-4	9.6V NI-CAD BATTERY PA09-BULK	1	PC.
	638344-4-2	9.6V NI-CAD BATTERY PA09-2PCS/PK	1	PK
A04	763180-0	3/8" KEYLESS DRILL CHUCK-BULK	1	PC.
A05	DC1850	CHARGER DC1850, F/9.6-18V, F/1.5AH	1	PC.