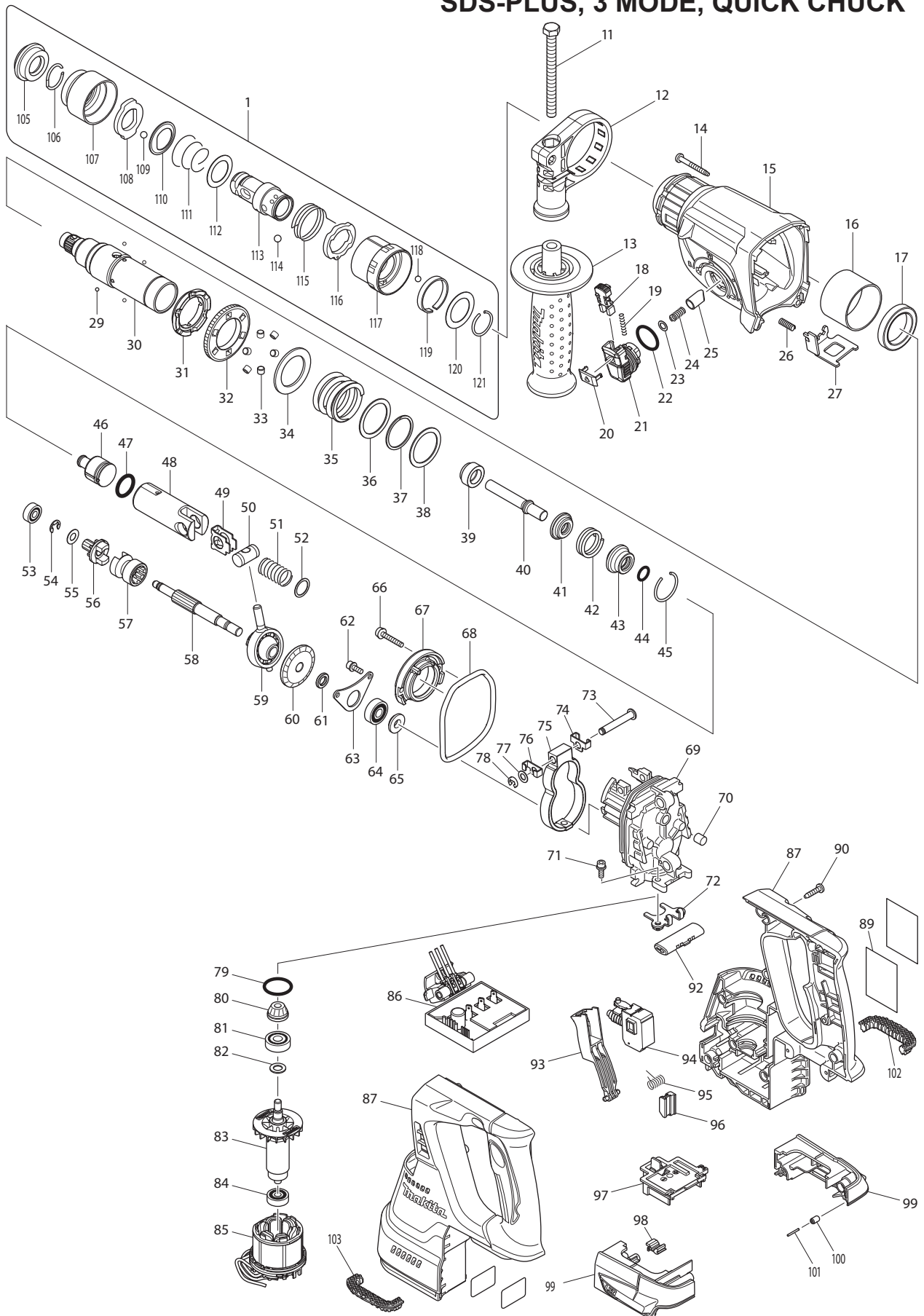




04 - 2012

LXRH02Z

# 18V BRUSHLESS ROTARY HAMMER SDS-PLUS, 3 MODE, QUICK CHUCK



| Item No | Type | Part No  | Description                 | Qty | Unit |
|---------|------|----------|-----------------------------|-----|------|
| 1       |      | 194080-7 | QUICK CHUCK SDS-PLUS CHUCK  | 1   | PC.  |
|         | INC. |          | Item No. 105-121            |     |      |
| 11      |      | 266745-2 | HEX.BOLT M8X90              | 1   | PC.  |
| 12      |      | 453129-5 | GRIP BASE                   | 1   | PC.  |
| 13      |      | 158057-6 | GRIP 36 COMPLETE            | 1   | PC.  |
| 14      |      | 266351-3 | TAPPING SCREW 4X35          | 4   | PC.  |
| 15      |      | 141229-0 | GEAR HOUSING COMPLETE       | 1   | PC.  |
|         | INC. | 213345-9 | OIL SEAL 25                 | 1   | PC.  |
|         | INC. | 890903-4 | INDICATION LABEL (PICTURE)  | 1   | PC.  |
| 16      |      | 331890-3 | CUP SLEEVE                  | 1   | PC.  |
| 17      |      | 211294-4 | BALL BEARING 6806LLU        | 1   | PC.  |
| 18      | 1    | 453130-0 | LOCK BUTTON - N/L/A         | 1   | PC.  |
| 18      | 2    | 454112-5 | LOCK BUTTON                 | 1   | PC.  |
| 19      |      | 234264-6 | COMPRESSION SPRING 3        | 1   | PC.  |
| 20      |      | 453131-8 | CHANGE LEVER COVER          | 1   | PC.  |
| 21      |      | 453125-3 | CHANGE LEVER                | 1   | PC.  |
| 22      |      | 213381-5 | O RING 21                   | 1   | PC.  |
| 23      |      | 253308-3 | THIN WASHER 6               | 1   | PC.  |
| 24      |      | 234147-0 | COMPRESSION SPRING 5        | 1   | PC.  |
| 25      | 2    | 326850-8 | * PUSH CORN                 | 1   | PC.  |
| 26      |      | 233360-7 | COMPRESSION SPRING 4        | 1   | PC.  |
| 27      |      | 346537-6 | LOCK PLATE                  | 1   | PC.  |
| 29      |      | 216019-1 | STEEL BALL 3                | 4   | PC.  |
| 30      |      | 140266-1 | TOOL HOLDERGUIDE COMPLETE   | 1   | PC.  |
| 31      | 1    | 313149-0 | * DRIVING FLANGE            | 1   | PC.  |
| 31      | 2    | 332139-4 | * DRIVING FLANGE            | 1   | PC.  |
| 32      | 1    | 227232-6 | * SPUR GEAR 51              | 1   | PC.  |
| 32      | 2    | 227360-7 | * SPUR GEAR 51              | 1   | PC.  |
| 33      |      | 268226-2 | * PIN 6 - N/A               | 6   | PC.  |
| 34      |      | 267414-8 | * FLAT WASHER 30 - N/A      | 1   | PC.  |
| 35      |      | 234148-8 | COMPRESSION SPRING 31       | 1   | PC.  |
| 36      |      | 267153-0 | FLAT WASHER 30              | 1   | PC.  |
| 37      |      | 257932-4 | SPIRO LOCK WASHER 30        | 1   | PC.  |
| 38      |      | 267153-0 | FLAT WASHER 30              | 1   | PC.  |
| 39      |      | 325783-4 | SLEEVE 9B                   | 1   | PC.  |
| 40      |      | 325791-5 | IMPACT BOLT B               | 1   | PC.  |
| 41      |      | 325792-3 | WASHER 10                   | 1   | PC.  |
| 42      |      | 234149-6 | COMPRESSION SPRING 20       | 1   | PC.  |
| 43      |      | 325793-1 | O-RING CASE B               | 1   | PC.  |
| 44      |      | 213073-6 | O RING 9                    | 1   | PC.  |
| 45      |      | 233979-2 | RING SPRING 28              | 1   | PC.  |
| 46      |      | 326139-4 | STRIKER                     | 1   | PC.  |
| 47      |      | 213258-4 | O RING 17.5                 | 1   | PC.  |
| 48      |      | 310345-1 | PISTON CYLINDER             | 1   | PC.  |
| 49      |      | 346036-8 | GUIDE PLATE                 | 1   | PC.  |
| 50      |      | 324215-8 | PISTON JOINT                | 1   | PC.  |
| 51      |      | 234098-7 | COMPRESSION SPRING 14       | 1   | PC.  |
| 52      |      | 267447-3 | FLAT WASHER 14              | 1   | PC.  |
| 53      |      | 211012-0 | BALL BEARING 606ZZ          | 1   | PC.  |
| 54      |      | 257336-0 | STOP RING EXT U-6           | 1   | PC.  |
| 55      |      | 253186-1 | FLAT WASHER 7               | 1   | PC.  |
| 56      |      | 227231-8 | SPUR GEAR 10                | 1   | PC.  |
| 57      | 2    | 326849-3 | * CLUTCH CAM A              | 1   | PC.  |
| 58      |      | 326140-9 | CAM SHAFT                   | 1   | PC.  |
| 59      |      | 219020-5 | SWASH BEARING 10            | 1   | PC.  |
| 60      |      | 227588-7 | SPIRAL BEVEL GEAR 32        | 1   | PC.  |
| 61      |      | 257323-9 | RING 8                      | 1   | PC.  |
| 62      |      | 922118-6 | HEX. SOCKET HEAD BOLT M4X12 | 2   | PC.  |
| 63      |      | 346038-4 | BEARING RETAINER B          | 1   | PC.  |
| 64      |      | 211032-4 | BALL BEARING 608ZZ          | 1   | PC.  |
| 65      |      | 324212-4 | RING 8                      | 1   | PC.  |
| 66      |      | 922147-9 | HEX. SOCKET HEAD BOLT M4X25 | 2   | PC.  |
| 67      |      | 141230-5 | INNER SUPPORT COMPLETE      | 1   | PC.  |

| Item No | Type | Part No  | Description                   | Qty | Unit |
|---------|------|----------|-------------------------------|-----|------|
| 68      |      | 213767-3 | O-RING 75                     | 1   | PC.  |
| 69      |      | 318810-4 | INNER HOUSING                 | 1   | PC.  |
| 70      |      | 443153-6 | FELT                          | 1   | PC.  |
| 71      |      | 922118-6 | HEX. SOCKET HEAD BOLT M4X12   | 2   | PC.  |
| 72      |      | 346536-8 | BEARING RETAINER A            | 1   | PC.  |
| 73      |      | 256536-9 | FLAT FILLISTER HD PIN 6       | 1   | PC.  |
| 74      |      | 346538-4 | WEIGHT HOLDER GUIDE           | 1   | PC.  |
| 75      |      | 313224-2 | COUNTER WEIGHT                | 1   | PC.  |
| 76      |      | 346538-4 | WEIGHT HOLDER GUIDE           | 1   | PC.  |
| 77      |      | 253726-5 | FLAT WASHER 6                 | 1   | PC.  |
| 78      |      | 961018-5 | STOP RING E-5                 | 1   | PC.  |
| 79      |      | 213008-7 | O RING 22.4                   | 1   | PC.  |
| 80      |      | 141458-5 | SPIRAL BEVEL GEAR 11 COMPLETE | 1   | PC.  |
| 81      |      | 210024-0 | BALL BEARING 608LLU           | 1   | PC.  |
| 82      |      | 253835-0 | FLAT WASHER 8                 | 1   | PC.  |
| 83      |      | 619293-4 | ROTOR                         | 1   | PC.  |
| 84      |      | 210022-4 | BALL BEARING 626DDW           | 1   | PC.  |
| 85      | 1    | 629922-1 | * STATOR                      | 1   | PC.  |
|         | 2    | 529922-0 | * STATOR ASSY                 | 1   | PC.  |
|         | 3    | 529187-4 | * STATOR ASSY                 | 1   | PC.  |
| 86      | 1    | 620096-1 | * CONTROLLER                  | 1   | PC.  |
|         | 2    | 620241-8 | * CONTROLLER                  | 1   | PC.  |
| 87      | 3    | 183A39-5 | * HOUSING SET                 | 1   | SET  |
|         | INC. | 890901-8 | * CAUTION LABEL FR/SP         | 1   | PC.  |
|         | 4    | 183C03-8 | * HOUSING SET                 | 1   | SET  |
|         | INC. | 890901-8 | * CAUTION LABEL FR/SP         | 1   | PC.  |
| 89      |      | 896798-3 | NAME PLATE F/LXRH02           | 1   | PC.  |
| 90      |      | 266326-2 | TAPPING SCREW 4X18            | 10  | PC.  |
| 92      |      | 453124-5 | CHANGE LEVER F/R              | 1   | PC.  |
| 93      |      | 453123-7 | SWITCH LEVER                  | 1   | PC.  |
| 94      | 1    | 650674-3 | * SWITCH C3JW-1-P             | 1   | PC.  |
| 94      | 2    | 650709-0 | * SWITCH C3JW-1-P             | 1   | PC.  |
| 95      |      | 233598-4 | TORSION SPRING 6              | 1   | PC.  |
| 96      |      | 313226-8 | OPENER                        | 1   | PC.  |
| 97      | 1    | 643859-8 | TERMINAL                      | 1   | PC.  |
| 97      | 2    | 644808-8 | TERMINAL                      | 1   | PC.  |
| 98      |      | 424476-1 | CUSHION                       | 1   | PC.  |
| 99      |      | 187377-1 | BATTERY HOUSING SET           | 1   | PC.  |
|         | INC. | 263005-3 | RUBBER PIN 6                  | 2   | PC.  |
| 100     |      | 263036-2 | RUBBER PIN 5                  | 1   | PC.  |
| 101     |      | 268184-2 | PIN 1.5                       | 1   | PC.  |
| 102     |      | 424473-7 | CUSHION RUBBER                | 1   | PC.  |
| 103     |      | 424473-7 | CUSHION RUBBER                | 1   | PC.  |
| 105     |      | 286263-4 | CAP 35                        | 1   | PC.  |
| 106     |      | 233940-9 | RING SPRING 19                | 1   | PC.  |
| 107     |      | 418217-5 | CHUCK COVER                   | 1   | PC.  |
| 108     |      | 345333-9 | STOPPER                       | 1   | PC.  |
| 109     |      | 216022-2 | STEEL BALL 7.0                | 1   | PC.  |
| 110     |      | 345187-4 | GUIDE WASHER                  | 1   | PC.  |
| 111     |      | 233916-6 | CONICAL COMP. SPRING 21-29    | 1   | PC.  |
| 112     |      | 267279-8 | FLAT WASHER 21                | 1   | PC.  |
| 113     |      | 324355-2 | TOOL HOLDER                   | 1   | PC.  |

| Item No | Type | Part No  | Description        | Qty | Unit |
|---------|------|----------|--------------------|-----|------|
| 114     |      | 216013-3 | STEEL BALL 6       | 2   | PC.  |
| 115     |      | 231669-1 | TORSION SPRING 31  | 1   | PC.  |
| 116     |      | 345334-7 | CHANGE RING        | 1   | PC.  |
| 117     |      | 418218-3 | CHANGE COVER       | 1   | PC.  |
| 118     |      | 216018-3 | STEEL BALL 5.0     | 1   | PC.  |
| 119     |      | 345335-5 | LEAF SPRING        | 1   | PC.  |
| 120     |      | 267270-6 | FLAT WASHER 24     | 1   | PC.  |
| 121     |      | 233924-7 | RING SPRING 21     | 1   | PC.  |
| 124     |      | 424734-5 | * SPONGE (Added)   | 1   | PC.  |
| C01     |      | 872961-2 | CARTON FOR LXRH02Z | 1   | PC.  |
| D01     |      | 654281-4 | RECEPTACLE         | 3   | PC.  |

### **ACCESSORIES**

- See catalogue or visit [www.makita.ca](http://www.makita.ca) for more optional accessories -

|     |      |          |  |   |     |
|-----|------|----------|--|---|-----|
| A01 |      | 324219-0 | DEPTH GAUGE                                      | 1 | PC. |
| A02 | 1    | 194079-2 | * QUICK CHANGE DRILL CHUCK SET                   | 1 | PC. |
| A02 | INC. | 251425-3 | * - FLAT HEAD SCREW M6X22                        | 1 | PC. |
| A02 | INC. | 324353-6 | * CHUCK HOLDER                                   | 1 | PC. |
| A02 | INC. | 418216-7 | * SPACER   | 1 | PC. |
| A02 | 2    | 194079-2 | * QUICK CHANGE DRILL CHUCK SET                   | 1 | PC. |
| A02 | INC. | 324353-6 | * CHUCK HOLDER                                   | 1 | PC. |
| A02 | INC. | 418216-7 | * SPACER   | 1 | PC. |
| A03 | 1    | DC18RA   | CHARGER DC18RA                                   | 1 | PC. |
| A03 | 2    | DC18RC   | CHARGER DC18RC                                   | 1 | PC. |
| A03 |      | DC24SC   | CHARGER DC24SC                                   | 1 | PC. |
| A03 |      | DC18SE   | AUTOMOTIVE CHARGER DC18SE                        | 1 | PC. |
| A04 |      | 194205-3 | 18V LI-ION BATTERY BL1830                        | 1 | PC. |
| A04 |      | 194230-4 | 18V LI-ION BATTERY BL1830 2PC/PK                 | 1 | PK  |
| A04 |      | 194288-3 | 18V LI-ION BATTERY BL1830 10PC/PK                | 1 | PK  |
| A05 |      | 450128-8 | BATTERY COVER                                    | 1 | PC. |
| A06 |      | DX02     | DUST EXTRACTION SYSTEM (See Partsbreakdown DX02) | 1 | PC. |
|     | INC. | 424474-5 | SEALING CAP                                      | 5 | PC. |
| A07 |      | 122574-2 | DRILL CHUCK ASS'Y                                | 1 | PC. |
|     | INC. | 192877-8 | 1/2" DRILL CHUCK                                 | 1 | PC. |
|     | INC. | 751106-4 | CHUCK ADAPTER                                    | 1 | PC. |
|     | INC. | 251425-3 | - FLAT HEAD SCREW M6X22                          | 1 | PC. |
| A08 |      | 192892-2 | KEYLESS DRILL CHUCK                              | 1 | PC. |
| A09 |      | D-14093  | CHUCK ADAPTER (SDS-PLUS)                         | 1 | PC. |
|     | INC. | 751106-4 | CHUCK ADAPTER                                    | 1 | PC. |
|     | INC. | 251425-3 | - FLANGE HEAD SCREW M6X22                        | 1 | PC. |
| A10 |      | 763432-9 | CHUCK KEY S13                                    | 1 | PC. |
| A11 |      | 191686-2 | SAFETY GOGGLE                                    | 1 | PC. |
| A12 |      | 195132-7 | DUSTCUP SET                                      | 1 | PC. |
| A13 |      | 421342-3 | DUST CUP 5                                       | 1 | PC. |
| A13 |      | 421664-1 | DUST CUP 9                                       | 1 | PC. |
| A14 |      | 256806-6 | ROD 10   | 1 | PC. |
| A14 |      | 256815-5 | ROD 15   | 1 | PC. |
| A15 |      | 343411-9 | CUTTER   | 1 | PC. |
| A17 |      | 765009-6 | BLOW-OUT BULB 64                                 | 1 | PC. |
| A18 |      | 418165-8 | JOINT 22-38                                      | 1 | PC. |
| A19 |      | 195834-5 | HAMMER SERVICE KIT                               | 1 | PC. |
|     | INC. | 286263-4 | CAP 35   | 1 | PC. |
|     | INC. | 233979-2 | RING SPRING 28                                   | 1 | PC. |
|     | INC. | 216022-2 | STEEL BALL 7.0                                   | 1 | PC. |
|     | INC. | 213258-4 | O-RING 17.5                                      | 1 | PC. |
|     | INC. | 213073-6 | O-RING 9   | 1 | PC. |
|     | INC. | 195127-0 | OIL VESSEL SET                                   | 1 | PC. |
| A20 |      | 196162-1 | DUST CASE SET                                    | 1 | PC. |
|     | INC. | 196164-7 | FILTER SET                                       | 1 | PC. |
|     | INC. | 453150-4 | FILTER COVER                                     | 1 | PC. |

**SERVICE CHANGES**

**1. Changes on Controller**

( TI#99503 )

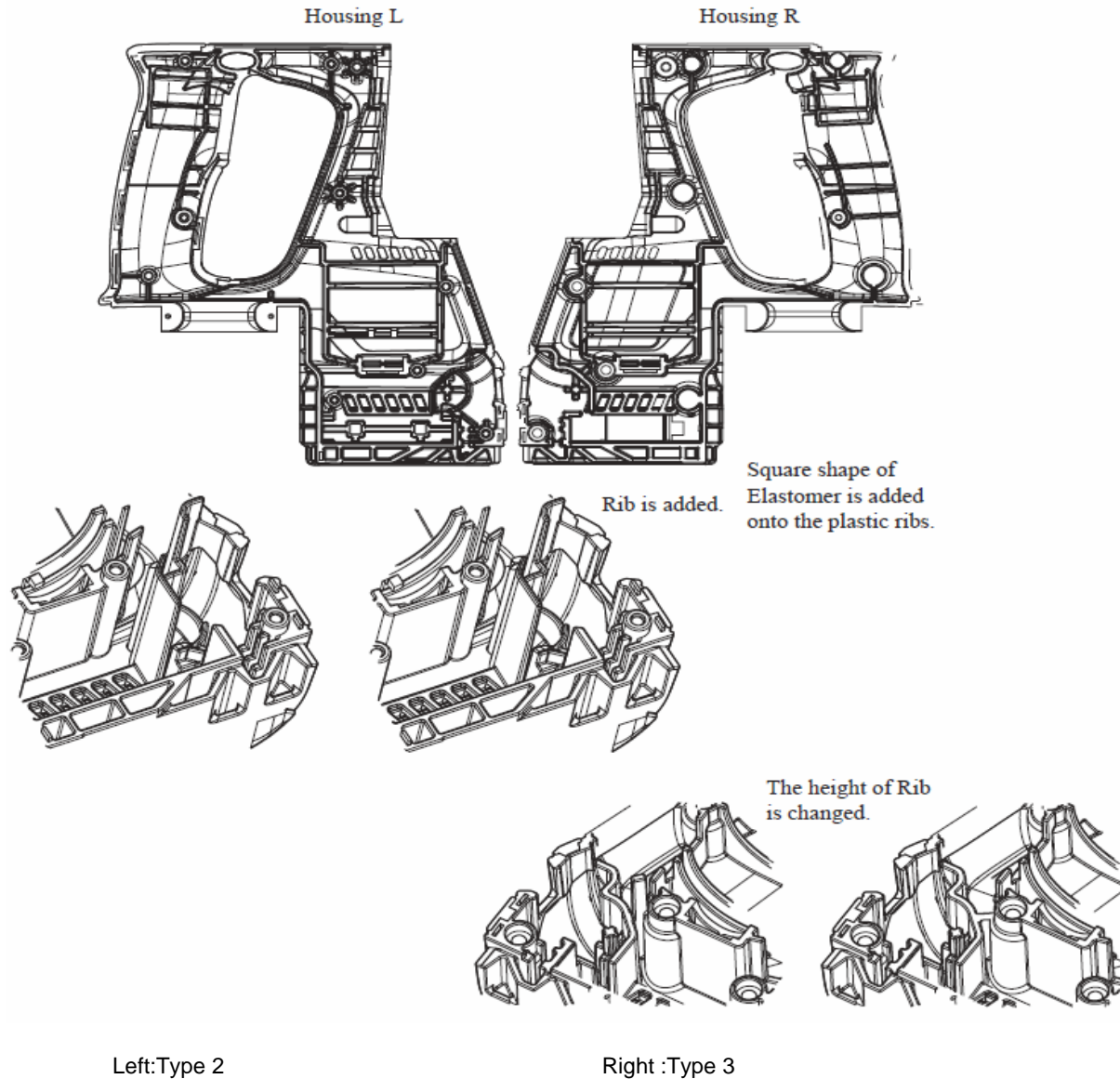
| Item No. | Description     | Type 1   | Type 2   |
|----------|-----------------|----------|----------|
| 86       | Controller      | 620096-1 | 620241-8 |
| 94       | Switch C3JW-1-P | 650674-3 | 650709-0 |

Above parts are completely interchangeable as a set.

**2. Changes on Housing Set**

( TI#A6091 )

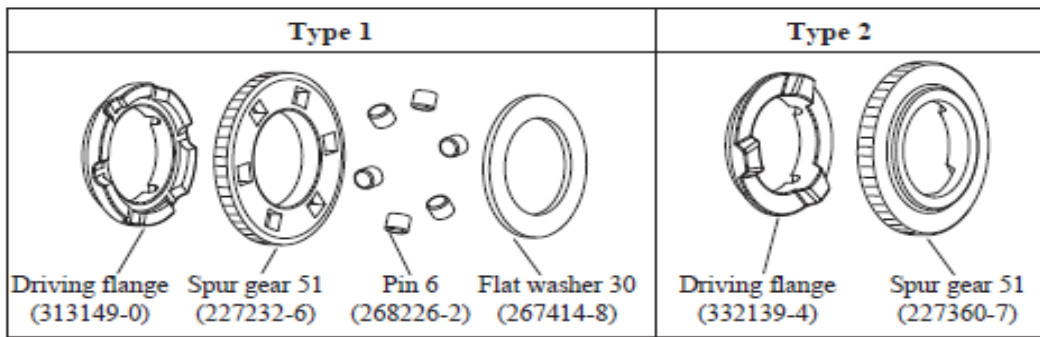
| Item No. | Description              | Type 2   | Type 3   |
|----------|--------------------------|----------|----------|
| 87       | Housing Set              | 187690-7 | 890901-8 |
|          | INC. Caution Label FR/SP |          | 890901-8 |



**3. Changes on Spur gear 51 and Driving flange**

| Item No. | Description    | Type 1   | Type 2   |
|----------|----------------|----------|----------|
| 32       | Spur Gear 51   | 227232-6 | 227360-7 |
| 31       | Driving Flange | 313149-0 | 332139-4 |
| 34       | Flat Washer 30 | 267414-8 | -----    |
| 33       | Pin 6          | 268226-2 | -----    |

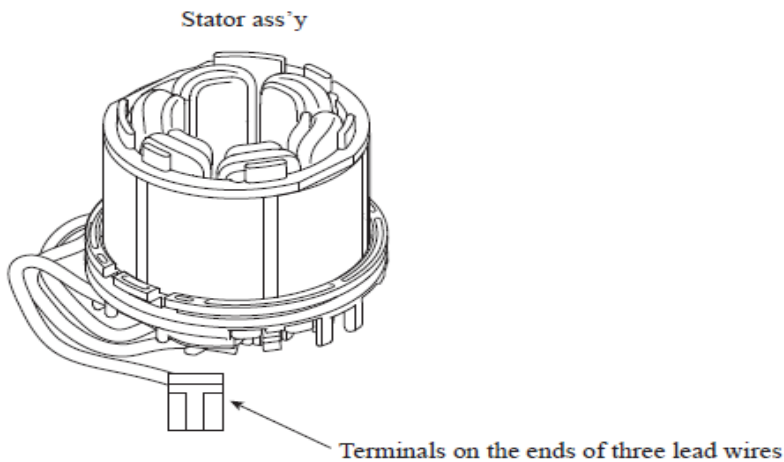
Above parts are completely interchangeable as a set.



#### 4. Changes on Stator

( TI#Y07053 )

| Item No. | Description           | Type 1   | Type 2   |
|----------|-----------------------|----------|----------|
| 32       | Stator > Startor Assy | 629922-1 | 529922-0 |



#### 5. Changes on 2/1" Keyless drill chuck

( TI#B1754 )

| Item No. | Description                  | Type 1   | Type 2   |
|----------|------------------------------|----------|----------|
| A02      | Quick Change Drill Chuck     | 194079-2 | 194079-2 |
|          | Inc. - Flat Head Screw M6X22 | 251425-3 | -----    |
|          | Inc. Chuck Holder            | 324353-6 | 324353-6 |
|          | Inc. Spacer                  | 418216-7 | 418216-7 |

- M6x22 - Flat head screw has been eliminated.
- The tightening torque of the keyless drill chuck has increased from 36 - 46 N·m to 45 - 55 N·m.

