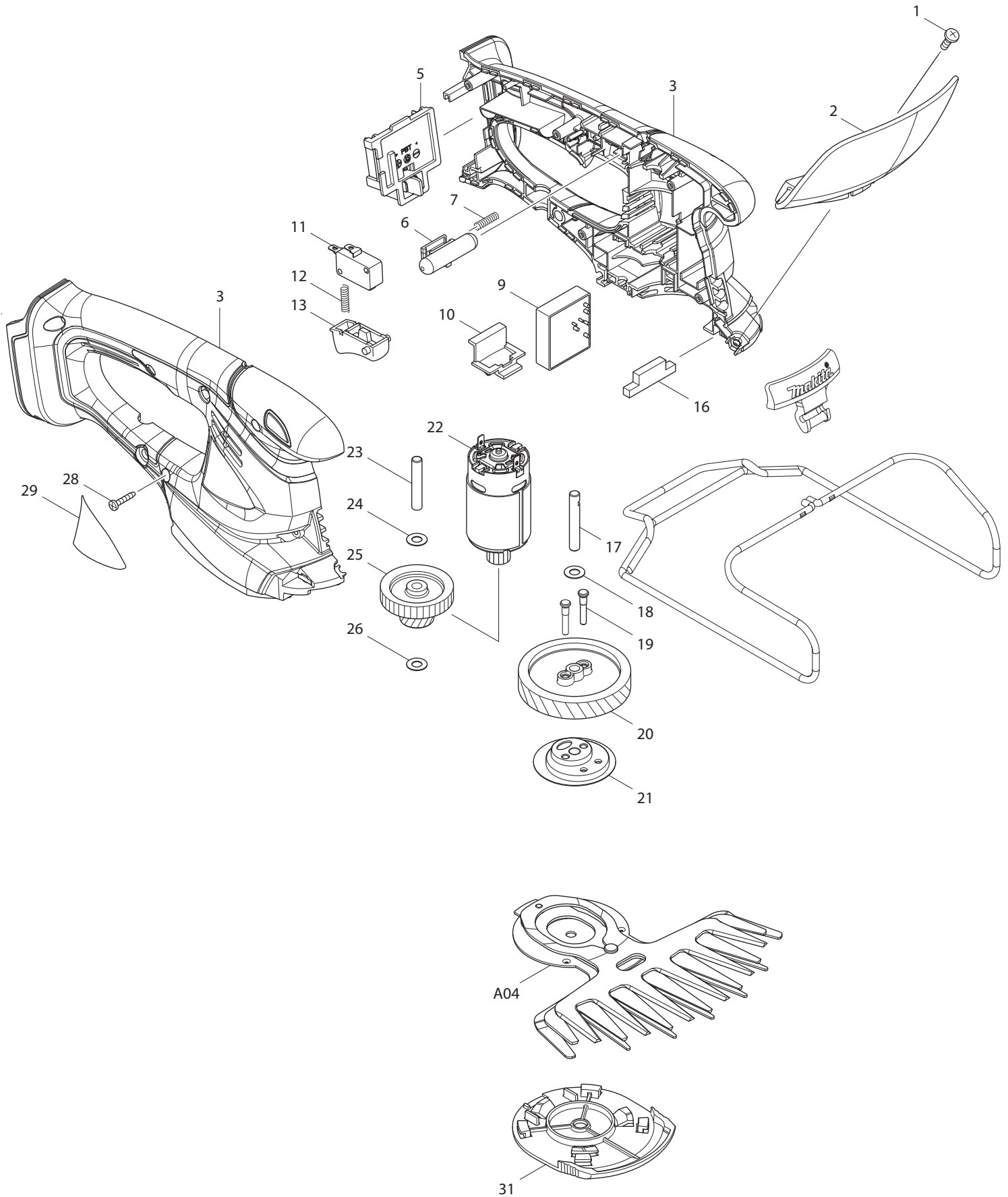




02 - 2012  
LXMU02Z  
18V 6-5/16" GRASS SHEAR



Item No.	Part No.	Description	Qty	Unit
1	915116-7	BINDING HEAD SCREW M4X12	1	PC.
2	141413-7	PROTECTOR COMPLETE	1	PC.
	INC. 890785-4	CAUTION LABEL FR, SP	1	PC.
3	187417-5	HOUSING SET	1	PC.
	INC. 931102-0	HEX. NUT M4	1	PC.
	INC. 346275-0	PLATE	2	PC.
	INC. 890784-6	CAUTION LABEL ENG	1	PC.
	INC. 263005-3	RUBBER PIN 6	2	PC.
5	643852-2	TERMINAL	1	PC.
6	452438-9	LOCK OFF BUTTON	1	PC.
7	231473-8	COMPRESSION SPRING 4	1	PC.
9	620119-5	CONTROLLER	1	PC.
10	451812-8	LOCK LEVER	1	PC.
11	651891-8	SWITCH V-15-3A6, SINGLE	1	PC.
12	231473-8	COMPRESSION SPRING 4	1	PC.
13	417564-1	SWITCH LEVER	1	PC.
16	451814-4	DUST GUARD	1	PC.
17	268254-7	PIN 6	1	PC.
18	261122-3	WASHER 6	1	PC.
19	268256-3	PIN 4	2	PC.
20	227728-7	HELICAL GEAR 47	1	PC.
21	165609-6	CRANK COMPLETE	1	PC.
22	629943-3	DC MOTOR	1	PC.
23	268076-5	PIN 6	1	PC.
24	261122-3	WASHER 6	1	PC.
25	226831-1	GEAR 12-31	1	PC.
26	261122-3	WASHER 6	1	PC.
28	266429-2	TAPPING SCREW 3X16	6	PC.
29	896942-2	NAME PLATE F/LXMU02	1	PC.
31	140451-6	UNDER COVER COMPLETE	1	PC.
C01	873647-1	CARTON F/LXMU02Z	1	PC.
D01	654079-9	INSULATED RECEPTACLE DF1.25	1	PC.
D02	654208-4	RECEPTACLE	1	PC.

### **ACCESSORIES**

A01	326146-7	BASE FRAME	1	PC.
A02	451813-6	CHANGE LEVER	1	PC.
A03	452055-5	BLADE COVER	1	PC.
A04	195176-7	SHEAR BLADE ASSEMBLY SET F/ GRASS SHEAR	1	PC.
	INC. 188369-3	OIL VESSEL SET	1	PC.
A05	195178-3	SHEAR BLADE ASSEMBLY F/HEDGE TRIMMER	1	PC.
A06	195187-2	LONG HANDLE ATTACHMENT SET	1	PC.
A07	195274-7	BLADE COVER SET	1	PC.
A08	195278-9	CHIP RECEIVER SET	1	SET
A09	194309-1	18V LI-ION BATTERY BL1815	1	PC.
	194428-3	18V LI-ION BATTERY BL1815 2PK	1	PK
	194604-9	18V LI-ION BATTERY BL1815 10PK	1	PK
	194205-3	18V LI-ION BATTERY BL1830	1	PC.
	194230-4	18V LI-ION BATTERY BL1830 2PK	1	PK
	194288-3	18V LI-ION BATTERY BL1830 10PK	1	PK
A10	1 DC18RA	CHARGER DC18RA	1	PC.
	2 DC18RC	CHARGER DC18RC	1	PC.
	DC18SD	CHARGER DC18SD	1	PC.
	DC18SE	AUTOMOTIVE CHARGER DC18SE	1	PC.
	DC24SC	CHARGER DC24SC	1	PC.