



# 7-1/2" - 18V SLIDE COMPOUND SAW KIT

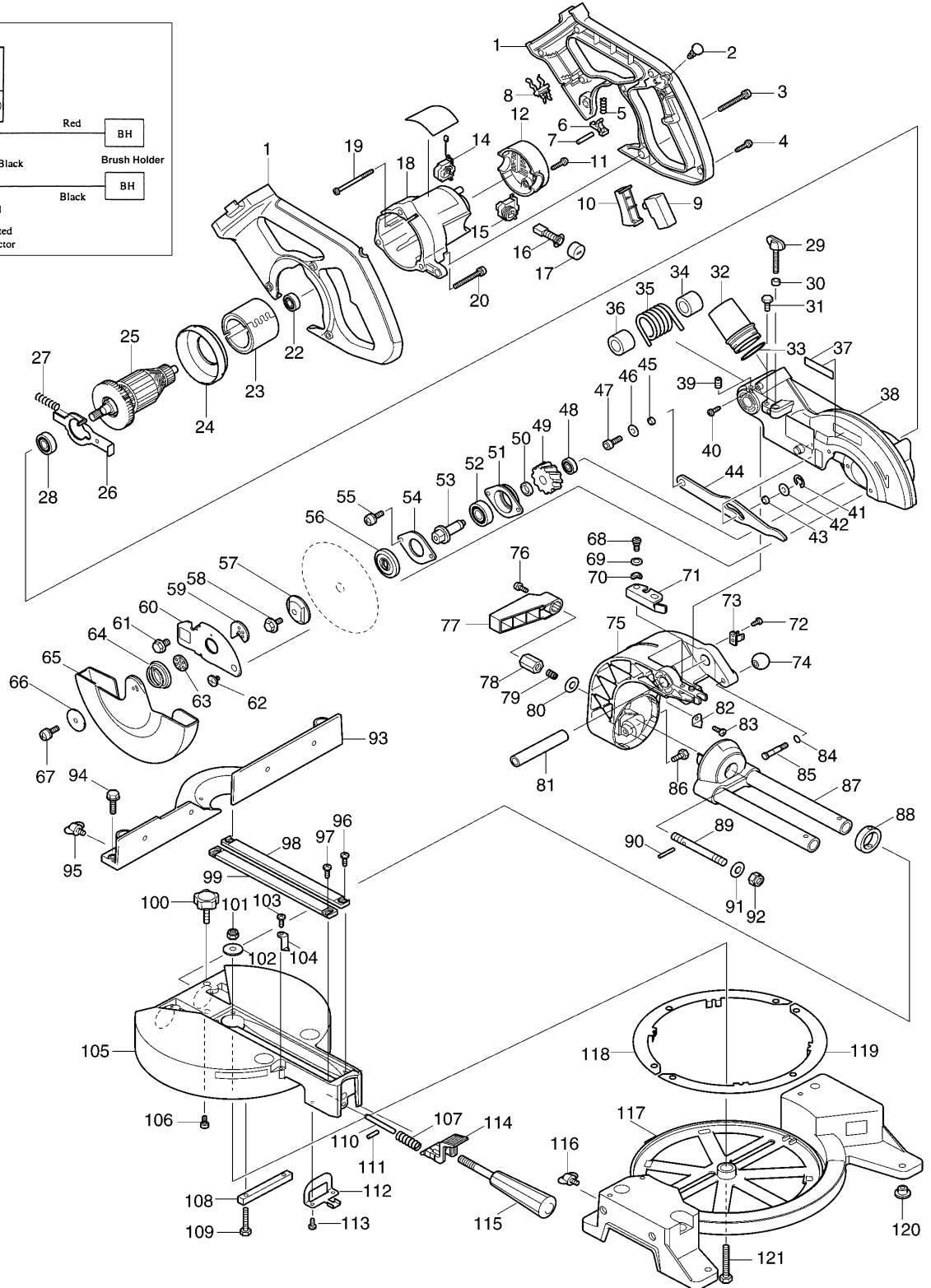
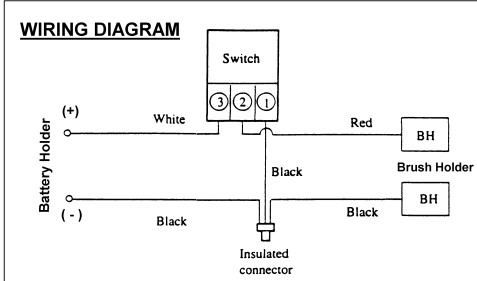
Model LS711DWB (MCA)

# 7-1/2" - 18V SLIDE COMPOUND SAW KIT

Model LS711DWBEK (MCA)

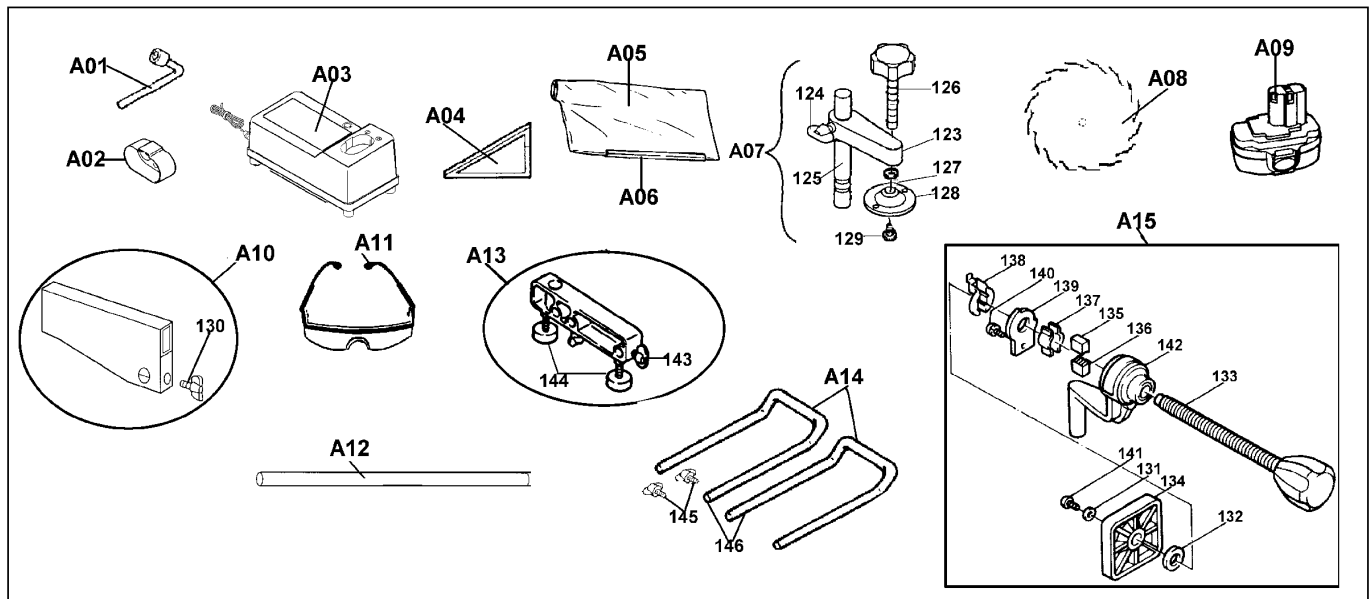
# 7-1/2" 18V SLIDE COMPOUND SAW

Model LS711DZ (MCA)



Item No.	Part No.	No. Used	Description	Item No.	Part No.	No. Used	Description
1	183149-2	1	Handle Set (Includes Caution Label Eng./Fr.)	61	<b>265473-6</b>	1	Hex Bolt M6x14 (Old 265260-3)
2	411478-6	1	Switch Button	62	265985-9	1	Hex Socket Head Bolt M6
3	911268-2	3	P.H. Screw M5X45	63	344639-2	1	Center Washer (Silver, Gloss -> Grey, Frost)
4	265995-6	5	Tapping Screw 4X18	64	231934-8	1	Spiral Spring 24
5	231026-3	1	Compression Spring 4	65	416540-2	1	Safety Cover
6	416533-9	1	Lock Off Lever	66	267136-0	1	Flat Washer 5
7	256098-7	1	Pin 5	67	911228-4	1	P.H. Screw M5X18
8	643924-3	1	Battery Holder	68	251267-5	1	(+) P.H. Screw M6
9	651956-6	1	Switch	69	253835-0	1	Flat Washer 8
10	416534-7	1	Switch Lever	70	253948-7	1	Wave Washer 8
11	265995-6	2	Tapping Screw 4X18	71	344643-1	1	Stopper Arm
12	416639-3	1	Rear Cover	72	266026-4	1	Tapping Screw Bind CT 4X12
14	643946-3	1	Brush Holder	73	416536-3	1	Wrench Holder
15	643945-5	1	Brush Holder	74	271601-3	1	Knob 20
16	191970-5	2	Carbon Brush CB-429 (2pcs/Set)	75	151677-5	1	Arm Com. (Includes 816787-2 - Indication Label)
17	643941-3	2	Holder Cap	76	911113-1	1	P.H.Screw M4X10
18	416909-0	1	Motor Housing	77	416006-2	1	Lever 100
19	266209-6	2	Tapping Screw 4X60	78	252144-4	1	Hex Nut M10-17
20	911268-2	3	P.H. Screw M5X45	79	231266-3	1	Compression Spring 5
22	<b>210023-2</b>	1	Ball Bearing 627DDW(Old 211026-9 & 210025-8)	80	253024-7	1	Flat Washer 10
23	632828-4	1	Yoke Unit	81	331350-5	1	Pipe 16-90
24	416907-4	1	Baffle Plate	82	343678-9	1	Pointer
25	519050-9	1	Armature Assy (Includes Items 22 & 28)	83	266026-4	1	Tapping Screw Bind CT 4X12
26	344681-3	1	Shaft Lock	84	213021-5	1	O Ring 5
27	233092-6	1	Compression Spring 5	85	322338-6	1	Stopper Pin
28	<b>211088-7</b>	1	Ball Bearing 6000DDW (Old 211061-7)	86	265381-1	2	Hex Bolt M6X16
29	265710-8	1	Thumb Screw M6X33	87	*	1	Arm Holder Com. (Includes * - Bevel Scale Label)
30	262001-8	1	Urethane Ring 5	88	257214-4	1	Ring 26
31	265381-1	1	Hex Bolt M6X16	89	266184-6	1	Screw M10 (Type 1)
32	416133-5	1	Dust Nozzle		<b>266320-4</b>	1	Screw M10 (Type 2)
33	213460-9	1	O Ring 35	90	256100-6	1	Pin 5
34	416535-5	1	Sleeve 17	91	253024-7	1	Flat Washer 10
35	231638-2	1	Torsion Spring 28	92	252130-5	1	Hex Lock Nut M10-17
36	416535-5	1	Sleeve 17	93	317235-9	1	Guide Fence
37	819063-3	1	Makita Label	94	921341-0	3	Hex Bolt M6X25
38	183135-3	1	Blade Case Set (Includes 263002-9 - Rubber Pin 4, 263005-3 - Rubber Pin 6, 817667-5 - Caution Label & Item 37)	95	251887-5	1	Screw M6X10
39	251961-9	2	Hex Socket Head Bolt M6X10	96	266026-4	2	Tapping Screw Bind CT 4X12
40	266061-2	1	Tapping Screw Bind CT 4X8	97	266026-4	2	Tapping Screw Bind CT 4X12
41	961018-5	1	Stop Ring E-5	98	416539-7	1	Kerf Board
42	253804-1	1	Flat Washer 6	99	416539-7	1	Kerf Board
43	257163-5	1	Ring 6	100	251897-2	1	Screw M6X33
44	<b>344999-2</b>	1	Link Plate (Grey, Frost) (Old 344645-7 - Silver, Gloss)	101	252105-4	1	Hex Lock Nut M8-13
45	257163-5	1	Ring 6	102	253731-2	1	Flat Washer 8
46	253804-1	1	Flat Washer 6	103	266026-4	1	Tapping Screw Bind CT 4X12
47	922331-6	1	Hex Socket Head Bolt M6X20	104	416355-7	1	Indication Plate
48	211021-9	1	Ball Bearing 607LLB	105	151681-4	1	Turn Base Com. (Includes 211376-2 - Linear Ball Bearing 2560, 262077-5 - Felt Ring 25, 263005-3 -Rubber Pin 6, 344638-4 - Cap 35, 810642-0 - Caution Label (Eng./Fr.) & 817283-3 - Caution Label)
49	226512-7	1	Helical Gear 60	106	922111-0	1	Hex Socket Head Bolt M4X10
50	257011-8	1	Ring 12	107	231325-3	1	Compression Spring 6
51	317193-9	1	Bearing Box	108	152593-4	1	Square Rod Com. (Includes 263005-3 - Rubber Pin 6)
52	211129-9	1	Ball Bearing 6201DDW	109	925251-3	2	Hex Bolt M5X30
53	323798-5	1	Spindle	110	323741-4	1	Lock Pin
54	285694-4	1	Bearing Retainer 58	111	256158-5A	1	Pin 3
55	911223-4	2	P.H. Screw M5X16	112	344601-7	1	Lock Plate
56	224151-7	1	Inner Flange 40	113	266026-4	2	Tapping Screw Bind CT 4X12
57	224275-9	1	Outer Flange 40	114	416450-3	1	Lock Lever
58	265461-3	1	Hex Bolt M6X18	115	273515-2	1	Grip 32
59	344640-7	1	Center Plate (Silver Gloss -> Grey, Frost)				
60	344641-5	1	Center Cover				

2 Model LS711DWB  
2 Model LS711DWBKEK  
2 Model LS711DZ

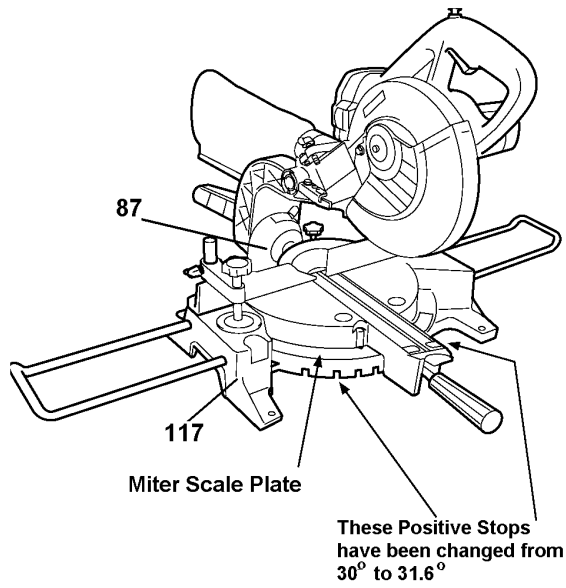


Item No.	Part No.	No. Used	Description	Item No.	Part No.	No. Used	Description
117	*	1	Base Com. (Includes * - Mitre Scale Plate & 817838-4 - Caution Label (Eng. /Fr.)	<b>Accessories</b>			
118	344646-5	1	Slide Plate	A01	782223-9	1	Box Wrench
119	344646-5	1	Slide Plate	A02	414938-7	1	Battery Cover
120	286212-1	5	Cap 20	A03	DC1801	1	DC1801 Battery Charger
121	921472-5	1	Hex Bolt M8X50	A04	762001-3	1	Triangular Rule
123	316938-2	1	Vise Arm	A05	122523-9	1	Dust Bag Assy (Includes Item A06)
124	251887-5	1	Screw M6X10	A06	410602-8	1	Fastener
125	322313-2	1	Vise Rod	A07	122571-8	1	Vertical Vise Assy Includes Items 123-129)
126	265733-6	1	Thumb Screw M10X60	A08	A-90576	1	7-1/2" C.T. Saw Blade 40T (5/8" Arbor)
127	253804-1	1	Flat Washer 6	A-90912		1	7-1/2" Negative C.T. Saw Blade 40T (For LS711D, LS711DWB & LS711DWBEEK <b>ONLY</b> )
128	343651-9	1	Vise Plate	A09	192827-3	1	18V Ni-Cad Battery 1822 (2.0Ah)
129	251370-2	1	(+) P.H. Screw M5		192829-9	1	18V Ni-Mh Battery 1833 (2.2Ah)
130	251887-5	1	Screw M6X10	A10	122472-0	1	Set Plate Assy (Includes Item 130)
131	253047-5	1	Flat Washer 6	A11	191686-A	1	Makita Safety Glasses
132	253744-3	1	Flat Washer 12	A12	256812-1	1	Rod 12
133	271272-6	1	Knob 45	A13	192713-8	1	Holder Assy (Includes Items 143 & 144)
134	315891-9	1	Vise Plate	A14	192621-3	1	Holder Set (Includes Items 145 & 146)
135	321490-7	1	Release Nut R	A15	122567-9	1	Horizontal Vise Assy (Includes Items 131 - 142)
136	321491-5	1	Release Nut L	A16	<b>824568-0</b>	1	Plastic Carrying Case Set (Includes Item A17 & A18) (Picture Not Available)
137	341911-3	2	Protector	A17	<b>416401-6</b>	2	Latch
138	341912-1	1	Nut Holder	A18	<b>417700-9</b>	1	Handle
139	342967-9	1	Set Plate				
140	911216-1	1	P.H. Screw M5X14				
141	911317-5	1	P.H. Screw M6X14				
142	151201-4	1	Vise Arm Com.				
143	251887-5	2	Screw M6X10				
144	265917-6	2	Adjust Bolt M8X42				
145	265708-5	2	Screw M6X20				
146	322312-4	2	Holder				
200	654558-7	1	Insulated End Connector				

3 Model LS711DWB  
3 Model LS711DWBEEK  
3 Model LS711DZ

SERVICE CHANGES

1. Change on Base Complete and Arm Holder Com.



Item No.	Description		Type 1	Type 2
87	Arm Holder Com.		151678-3	<b>151678B3</b>
	Includes	Bevel Scale Label	816338-1 (30°)	<b>816338A1 (31.6°)</b>
Positive Stop			30°	31.6°
117	Base Com.		151675-9	<b>152643-5</b>
	Includes	Mitre Scale Plate	816339-9 (30°)	<b>816339A9</b>
		Caution Label (E/F)	817838-4	

Above parts are completely interchangeable as a set.

- 4 Model LS711DWB
- 4 Model LS711DWBK
- 4 Model LS711DZ