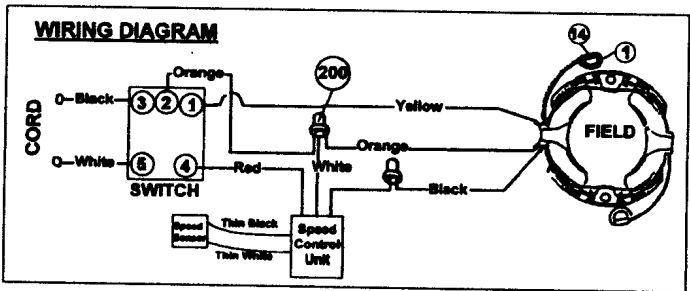
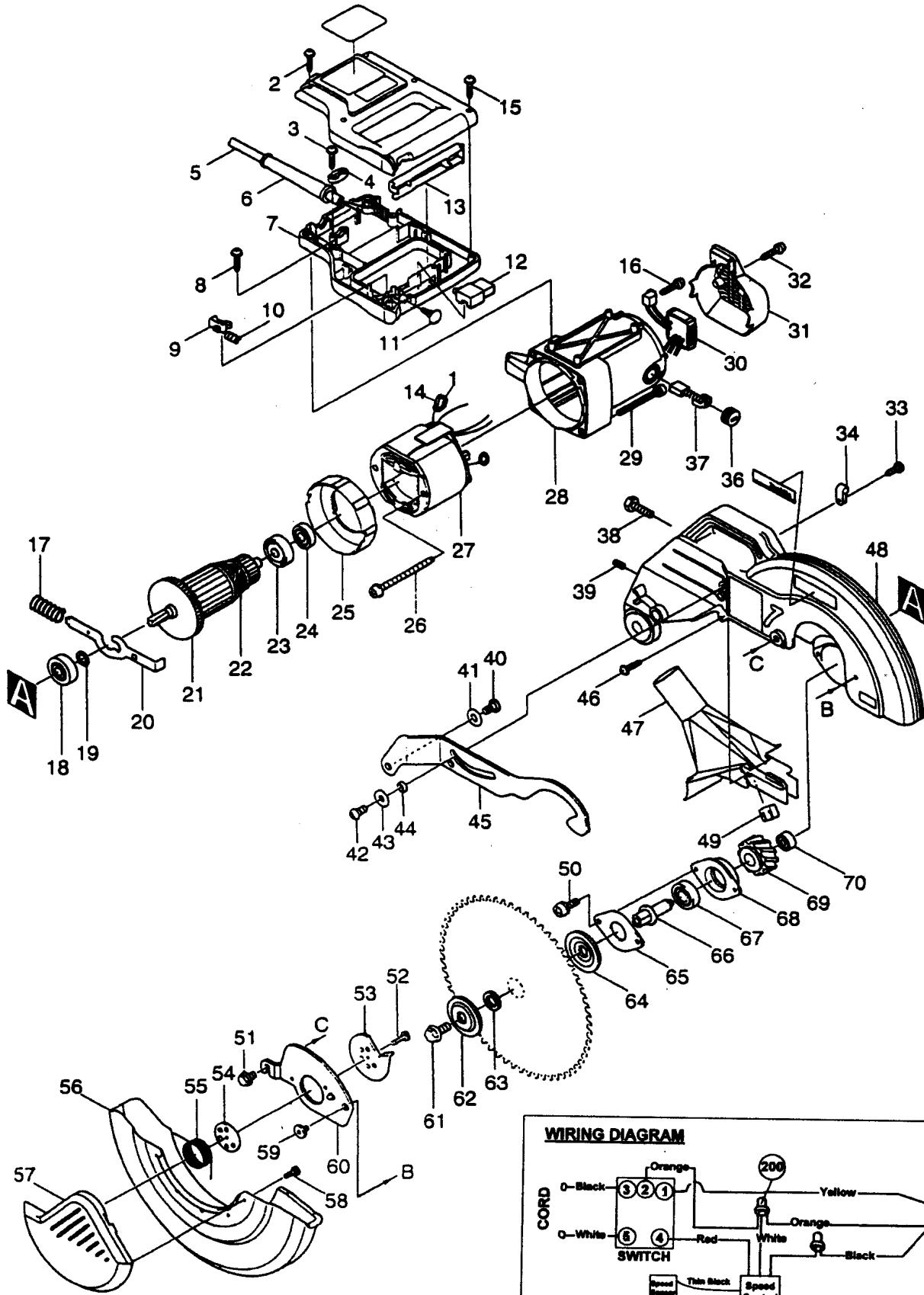


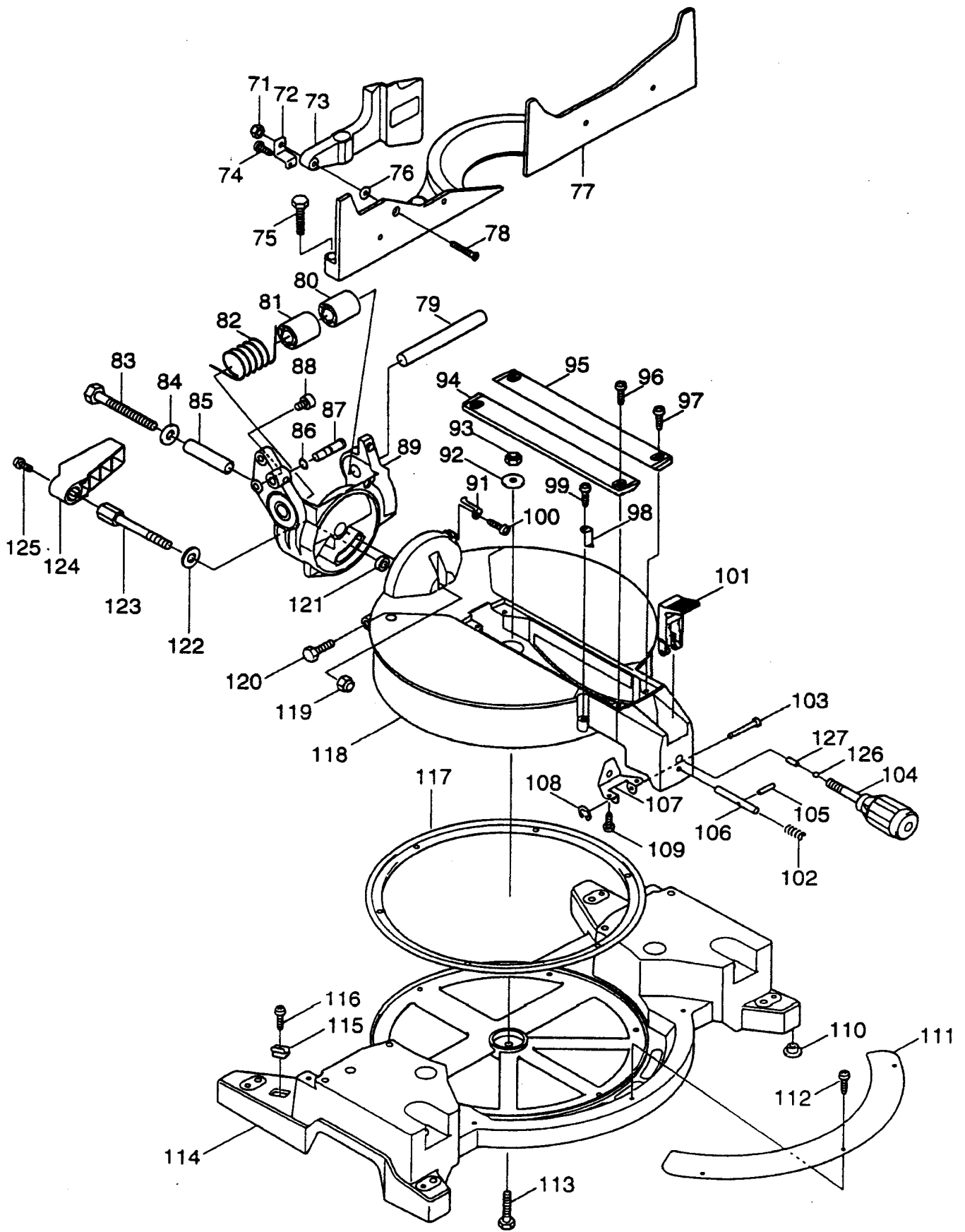


# 12" COMPOUND MITRE SAW

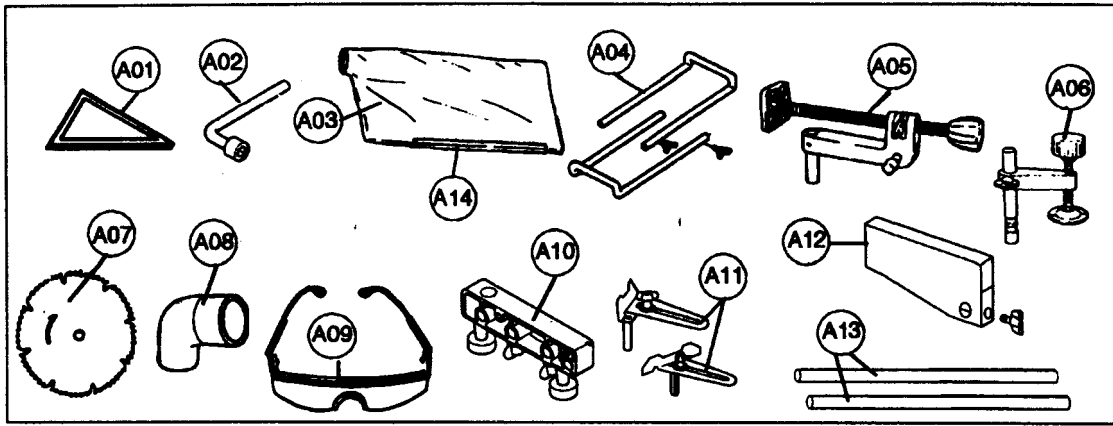
Model LS1220



07-1999 MC







Item No.	Part No.	No. Used	Description	Item No.	Part No.	No. Used	Description
A03	122523-9	1	Dust Bag Assy	A10	192671-8	1	Holder Set (Includes 2x251887-5 - Screw)
A04	192673-4	1	Holder 160 Set	A11	192669-5	2	Crown Molding Stopper Set (2pcs/Set)
A05	122470-4	1	Horizontal Vise Assy	A12	122551-4	1	Set Plate Assy (Includes 251887-5 - Screw)
A06	192672-6	1	Vertical Vise Set	A13	256812-1	2	Extension Rod 12 (Set)
A07	-----	1	12" C.T. Saw Blade (See Catalogue for Details)	A14	410602-8	1	Fastener
A08	416368-8	1	Elbow				
A09	191686-A	1	Makita Safety Glasses				