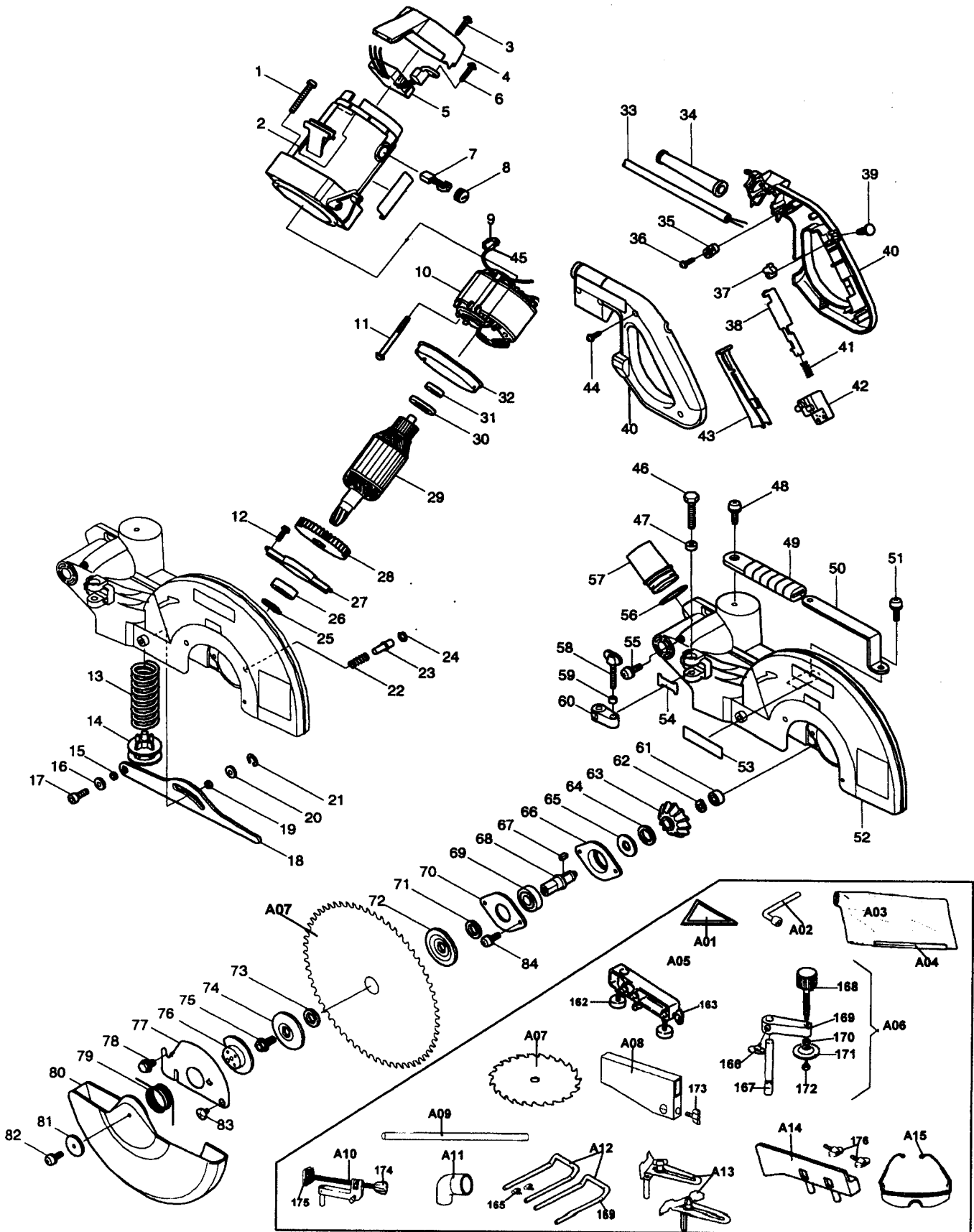
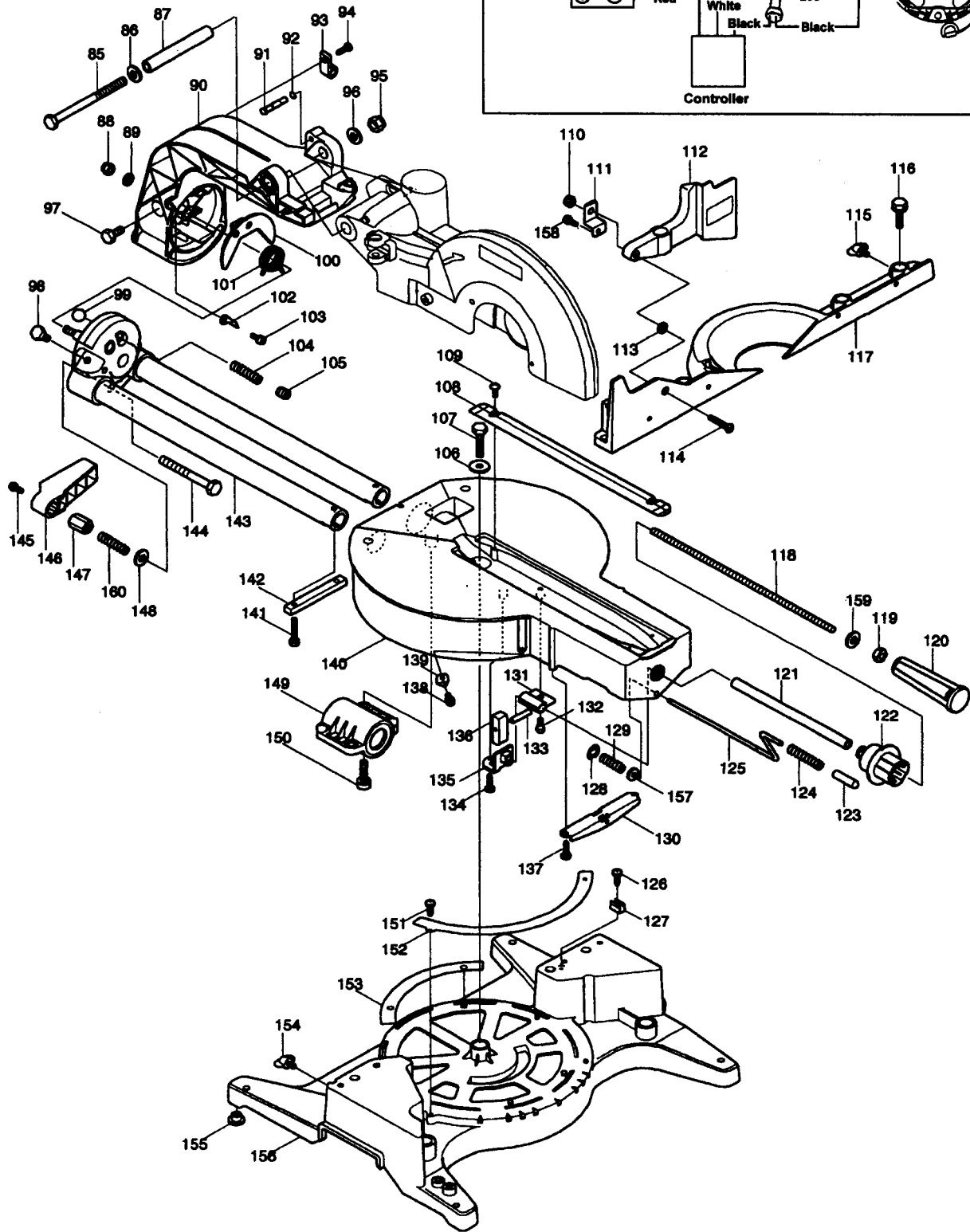
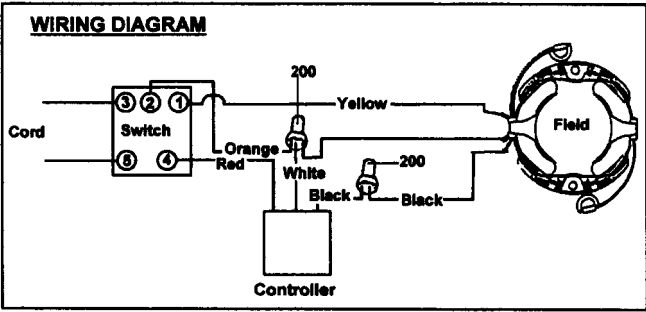




12" SLIDE COMPOUND MITRE SAW

Model LS1212





Item No.	Part No.	No. Used	Description	Item No.	Part No.	No. Used	Description
1	911373-5	4	P. H. Screw M6x50	58	265717-4	1	Screw M6x43
2	159963-8	1	Motor Housing Com. (Includes 2x 643660-1 - Brush Holder 6.5-13.5, 817881-3 - Caution Label)	59	262001-8	1	Urethane Ring 5
3	265995-6	2	Tapping Screw 4x18	60	317176-9	1	Stopper Arm
4	416075-3	1	Rear Cover	61	211031-6	1	Ball Bearing 608LLB
5	631237-4	1	Controller	62	961054-1	1	Retaining Ring S-14
6	265995-6	1	Tapping Screw 4x18	63	226750-1	1	Spiral Bevel Gear 35
7	181047-4	1	Carbon Brush CB-154 (2pcs/Set)	64	262074-1	1	Rubber Ring 20
8	643650-4	2	Brush Holder Cap 6.5-13.5	65	267035-6	1	Flat Washer 14
9	654020-2	2	Garter Spring	66	316473-0	1	Bearing Box
10	596156-0	1	Field Assy (Includes Items 9 & 45)	67	254202-2	1	Key 4
11	266059-9	2	Tapping Screw 5x75	68	322989-5	1	Spindle
12	911223-4	2	P. H. Screw M5x16	69	211278-2	1	Ball Bearing 6203DDW
13	233187-5	1	Compression Spring 34	70	285828-9	1	Bearing Retainer 66
14	316470-6	1	Spring Holder	71	257022-3	1	Ring 16
15	257163-5	1	Ring 6	72	224333-1	1	Flange 53
16	253804-1	1	Flat Washer 6	73	257060-5	1	Ring 15.8
17	922331-6	1	Hex. Socket Head Bolt M6x20	74	224333-1	1	Flange 53
18	344472-2	1	Link Plate	75	265405-3	1	Hex. Flange Head Bolt M10x20
19	257163-5	1	Ring 6	76	344473-0	1	Center Plate
20	253804-1	1	Flat Washer 6	77	344038-8	1	Center Cover
21	961018-5	1	Stop Ring E-5	78	265324-3	1	Hex. Flange Head Bolt M8x12
22	231240-1	1	Compression Spring 7	79	231613-8	1	Torsion Spring 45
23	256633-1	1	Pin 6	80	416263-2	1	Safety Cover
24	231928-3	1	Ring Spring 8	81	253977-0	1	Flat Washer 6
25	961057-5	1	Retaining Ring S-17	82	911213-7	1	P. H. Screw M5x12
26	211251-2	1	Ball Bearing 6003LLB	83	265985-9	1	Hex. socket Head Bolt M6
27	285686-3	1	Bearing Retainer 94	84	911223-4	2	P. H. Screw M5x16
28	240001-8	1	Fan 80	85	265406-1	1	Hex. Bolt M10x130
29	516736-6	1	Armature Assy (Includes Items 28, 30 & 31)	86	253024-7	1	Flat Washer 10
30	681642-5	1	Insulation Washer	87	331428-4	1	Pipe 16-113
31	211061-7	1	Ball Bearing 6000LLB	88	252105-4	1	Hex. Lock Nut M8-13
32	416264-0	1	Baffle Plate	89	941201-0	1	Flat Washer 8
33	664463-0	1	Cord With 2P-14-2.5M	90	151813-3	1	Arm Com. (Includes 816787-2 - Indication Label)
34	682505-8	1	Cord Guard 10-90	91	322988-7	1	Stopper Pin
35	687052-4	1	Strain Relief	92	213011-8	1	O Ring 7
36	265995-6	2	Tapping Screw 4x18	93	687095-6	1	Strain Relief
37	414546-4	1	Cam	94	266026-4	1	Tapping Screw Bind CT 4x12
38	416000-4	1	Lock Off Lever	95	252130-5	1	Hex. Lock Nut M10-17
39	411478-6	1	Switch Button	96	253024-7	1	Flat Washer 10
40	182911-2	1	Handle Set (Includes 810642-0 - Caution Label)	97	265455-8	2	Hex. Bolt M8x28
41	231457-6	1	Compression Spring 3	98	265455-8	2	Hex. Bolt M8x28
42	651923-1	1	Switch	99	216003-6	2	Steel Ball 10
43	415999-0	1	Switch Lever	100	344475-6	1	Guide Plate
44	265995-6	6	Tapping Screw 4x18	101	231631-6	1	Torsion Spring 30
45	654502-4	2	Connector P-2	102	413067-3	2	Indication Plate
46	921467-8	1	Hex. Bolt M8x45	103	911114-9	2	P. H. Screw M4x10
47	262003-4	1	Rubber Ring 6	104	233168-9	2	Compression Spring 5
48	911323-0	1	P. H. Screw M6x16	105	266131-7	2	Hex. Socket Head Bolt M12x12
49	421562-9	1	Grip	106	253852-0	1	Flat Washer 8
50	344420-1	1	Grip Holder	107	265442-7	1	Hex. Bolt M8x40
51	911323-0	1	P. H. Screw M6x16	108	416886-6	2	Kerf Board
52	151828-0	1	Blade Case Com. (Includes 817667-5 - Caution Label & 817874-0 - Caution Label)	109	266026-4	4	Tapping Screw Bind CT 4x12
53	819064-1	1	Makita Mark	110	252014-7	1	Hex. Lock Nut M6-10
54	344045-1	1	Stopper Arm Plate	111	344463-3	1	Sub Fence Plate
55	911113-1	1	P. H. Screw M4x10	112	150804-1	1	Sub Fence Com. (Includes 810858-7 - Caution Label)
56	213460-9	1	O Ring 35	113	253804-1	1	Flat Washer 6
57	416133-5	1	Dust Nozzle	114	912357-6	1	Countersunk Head Screw M6x35
				115	251887-5	1	Screw M6x10
				116	921451-3	4	Hex. Bolt M8x30
				117	317291-9	1	Guide Fence
				118	266132-5	1	Screw M8x320

Item No.	Part No.	No. Used	Description	Item No.	Part No.	No. Used	Description
119	931402-8	1	Hex. Nut M8	156	151827-2	1	Base Com. (Includes 2x817283-3 - Caution Label & 817838-4 - Caution Label)
120	273444-9	1	Grip 37	157	253804-1	1	Flat Washer 6
121	331491-7	1	Pipe 9-200	158	911113-1	1	P. H. Screw M4x10
122	152541-3	1	Knob 48 Com.	159	941201-0	1	Flat Washer 8
123	421563-7	1	Cap 10	160	231266-3	1	Compression Spring 5
124	322924-3	1	Coil Spring	162	265889-5	2	Adjust Bolt
125	322938-2	1	Lock Pin	163	251887-5	2	Screw M6x10
126	266034-5	1	Tapping Screw CT 4x16	164	322312-4	2	Holder
127	232075-3	1	Leaf Spring	165	251887-5	2	Screw M6x10
128	961018-5	1	Stop Ring E-5	166	251887-5	1	Screw M6X10
129	231307-5	1	Compression Spring 6	167	322983-7	1	Vice Rod
130	316882-3	1	Pin Holder	168	271303-1	1	Knob 40
131	344411-2	1	Slide Stopper	169	316938-2	1	Vise Arm
132	251267-5	1	(+) P. H. Screw M6	170	253804-1	1	Flat Washer 6
133	256196-7	1	Pin 5	171	343651-9	1	Vise Plate
134	266034-5	1	Tapping Screw CT 4X16	172	251370-2	1	(+) P. H. Screw M5
135	344412-0	1	Stopper Holder	173	251887-5	1	Screw M6X10
136	331493-3	1	Turn Stopper	174	271297-0	1	Knob 45
137	266034-5	2	Tapping Screw CT 4X16	175	344099-8	1	Guard Plate
138	911113-1	1	P. H. Screw M4x10	176	251887-5	2	Screw M6x10
139	343678-9	1	Pointer	200	654510-5	2	Insulated Connector 5.5-SD
140	151814-1	1	Turn Base Com. (Includes 211444-1 - Linear Ball Bearing 3064, 211439-4 - Linear Ball Bearing 3050, 262048-2 - Felt Ring 30, 263005-3 - Rubber Pin 6, 343676-3 - Cap, & 262076-7 - Felt Ring 30)	Accessories			
141	921356-7	2	Hex. Bolt M6x35	A01	762001-3	1	Triangular Rule
142	152542-1	1	Square Rod Com.	A02	782212-4	1	Socket Wrench 13
143	151815-9	1	Arm Holder Com. (Includes 816324-2 - Bevel Scale Label)	A03	122523-9	1	Dust Bag Assy (Includes Item A04)
144	251662-9	1	Hex. Bolt M10x100	A04	410602-8	1	Fastener
145	911113-1	1	P. H. Screw M4x10	A05	192671-8	1	Holder Assy (Includes Items 162 & 163)
146	416006-2	1	Lever 100	A06	122540-9	1	Vertical Vise Assy (Includes Items 166 - 172)
147	252144-4	1	Hex. Nut M10-17	A07	-----	1	12" C.T. Saw Balde (See Catalogue for Details)
148	253024-7	1	Flat Washer 10	A08	122472-0	1	Set Plate Assy (Includes Item 173)
149	152540-5	1	Bearing Box B Com. (Includes 211444-1 - Linear Ball Bearing 3064, 2x262048-2 - Felt Ring 30, 316837-8 - Bearing Box (B) & 2x343676-3 - Cap)	A09	256812-1	1	Rod 12
150	922451-6	2	Hex. Socket Head Bolt M8x30	A10	122470-4	1	Horizontal Vise Assy (Includes Items 174 & 175)
151	266026-4	3	Tapping Screw Bind CT 4x12	A11	416368-8	1	Elbow
152	816325-0	1	Miter Scale Plate	A12	192621-3	1	Holder Set (Includes 164 & 165)
153	344474-8	2	Slide Plate	A13	192669-5	1	Crown Molding Stopper Set
154	251887-5	2	Screw M6x10	A14	192651-4	1	Sub Fence R Set (Includes Item 176)
155	286212-1	4	Cap 20	A15	191686-A	1	Makita Safety Glasses