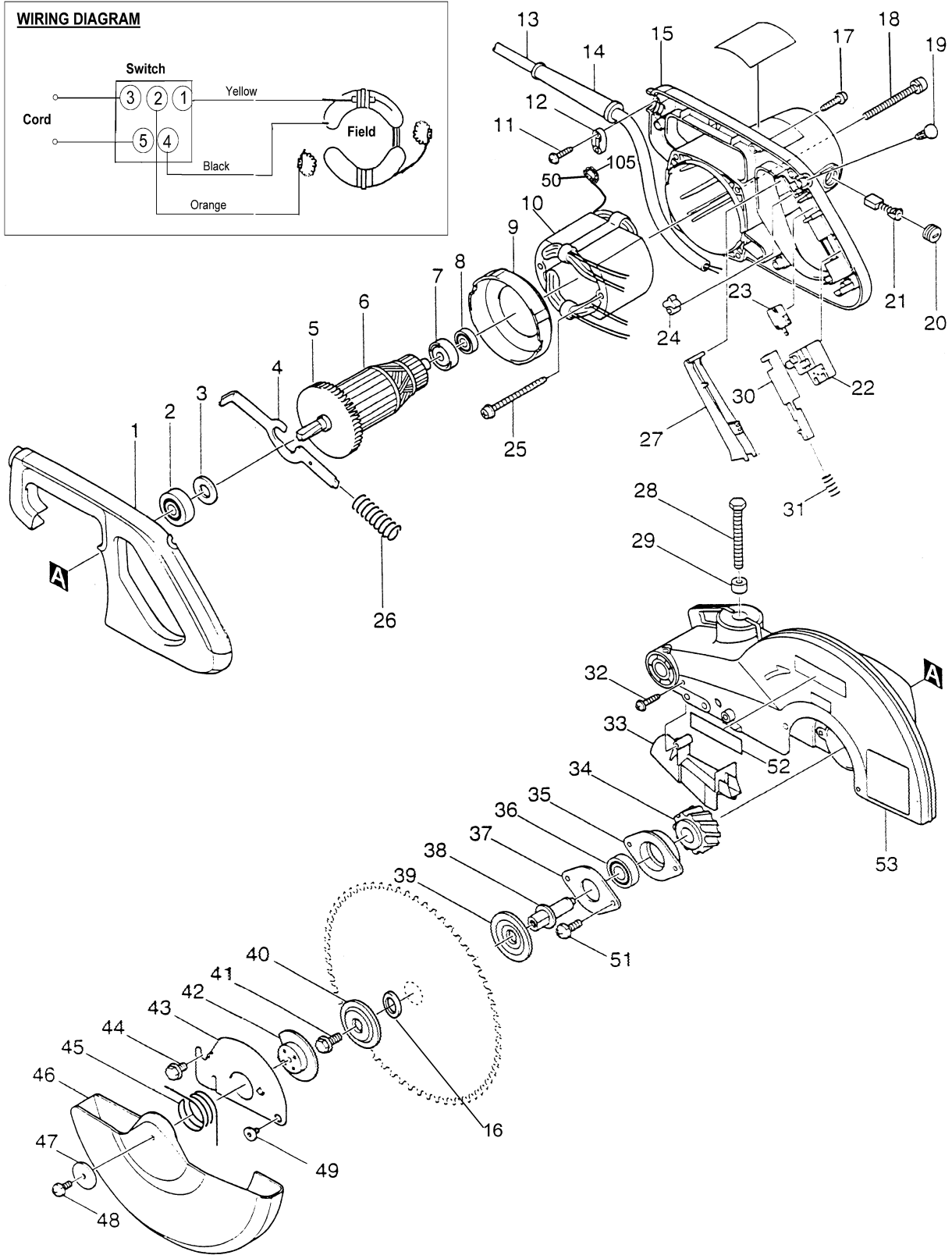
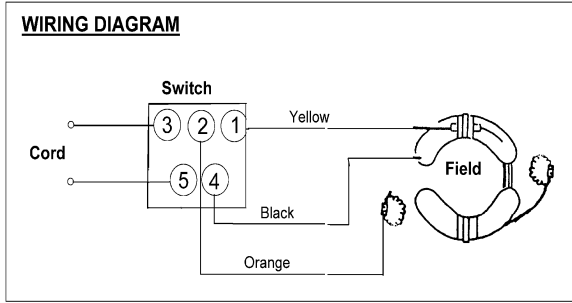
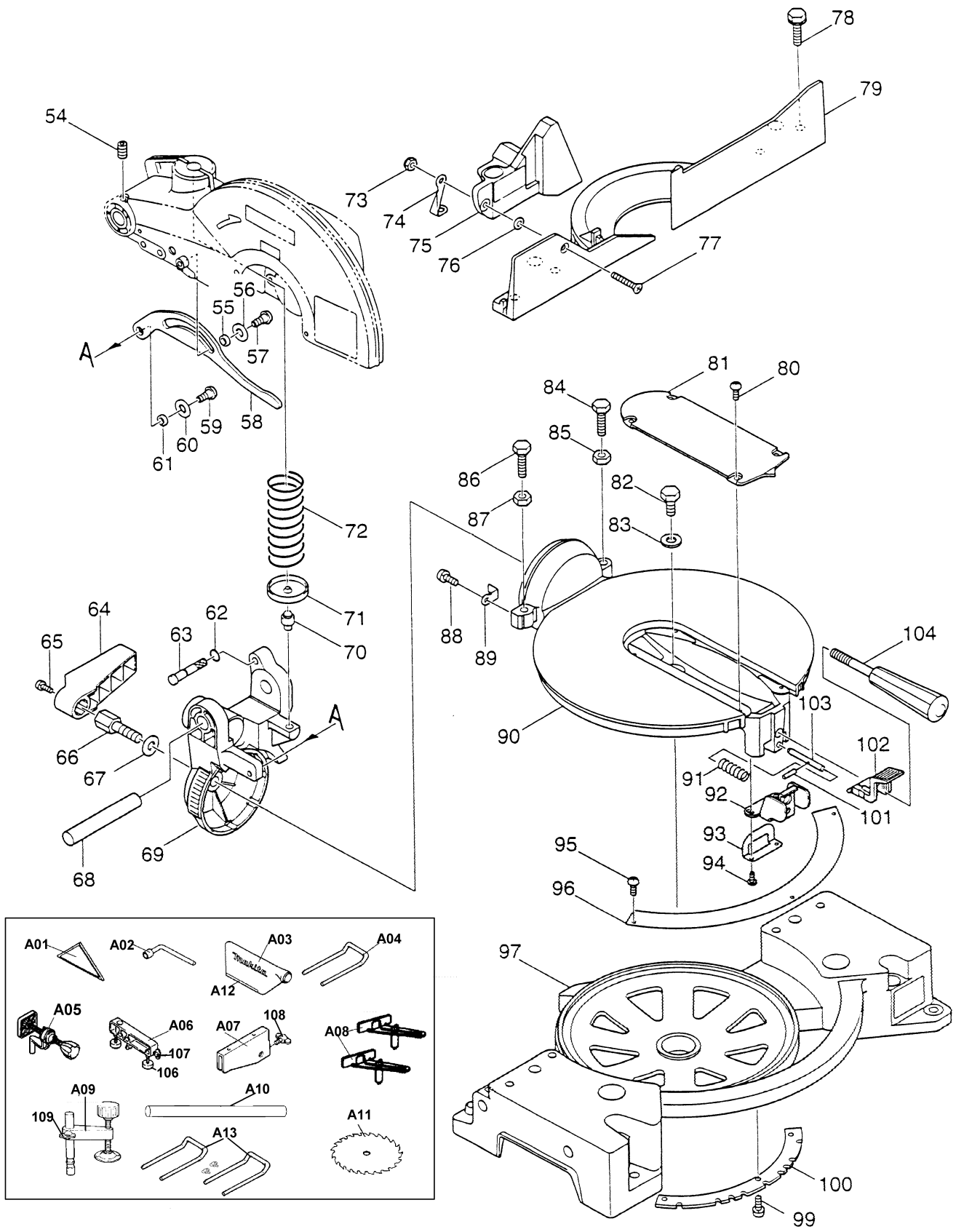


**10-1/4" COMPOUND MITRE SAW
 Model LS1045**





Item No.	Part No.	No. Used	Description	Item No.	Part No.	No. Used	Description
1	416004-6	1	Handle Cover	63	322317-4	1	Stopper Pin
2	211206-7	1	Ball Bearing 6202LLB	64	416006-2	1	Lever 100
3	253853-8	1	Flat Washer 15	65	911113-1	1	P.H. Screw M4x10
4	343641-2	1	Shaft Lock	66	265437-0	1	Hex Bolt M10
5	241909-9	1	Fan 80	67	253024-7	1	Flat Washer 10
6	516716-2	1	Armature Assy Includes Items 2, 3, 5, 7 & 8)	68	256836-7	1	Rod 16
7	681640-9	1	Insulation Washer	69	150664-1	1	Arm Com. (includes 816310-3, scale label)
8	211061-7	1	Ball Bearing 6000LLB	70	256280-8	1	Pin 8
9	416442-2	1	Baffle Plate	71	344464-1	1	Spring Holder
10	526066-7	1	Field Assy (Includes Items 50 & 105)	72	233152-4	1	Compression Spring 28
11	265995-6	2	Tapping Screw 4X18	73	252014-7	1	Hex Lock Nut M6-10
12	687052-4	1	Strain Relief	74	344476-4	1	Sub Fence Plate
13	664463-0	1	Cord with Plug 2O-14-2.5	75	150663-3	1	Sub Fence Com.
14	682505-8	1	Cord Guard 10-90	76	253715-0	1	Flat Washer 6
15	150785-9	1	Motor Housing Com. (Includes 2x643660-1 - Brush Holder 6.5-13.5)	77	912342-9	1	Countersunk Head Screw M6X25
16	257022-3	1	Ring 16 (For 25mm Arbor Blade)	78	921451-3	4	Hex Bolt M8X30
17	265995-6	5	Tapping Screw 4X18	79	316826-3	1	Guide Rule
18	911383-2	4	P.H. Screw M6X60	80	251314-2	4	(+) Screw M4X12
19	411478-6	1	Switch Button	81	416451-1	1	Kerf Board
20	643650-4	2	Brush Holder Cap 6.5-13.5	82	265412-6	1	Hex Bolt M8X20
21	181047-4	2	Carbon Brush CB-154 (2pcs/Set)	83	253762-1	1	Flat Washer 8
22	651923-1	1	Switch	84	921452-1	1	Hex Bolt M8X30
23	651941-9	1	Switch	85	931402-8	1	Hex Nut M8
24	414546-4	1	Cam	86	921452-1	1	Hex Bolt M8X30
25	266029-8	2	Tapping Screw 5X65	87	931402-8	1	Hex Nut M8
26	231297-2	1	Compression Spring 9	88	911113-1	1	P.H. Screw M4X10
27	415999-0	1	Switch Lever	89	344385-7	1	Pointer
28	251667-9	1	Hex Bolt M8x75	90	310058-4	1	Turn Base
29	262511-5	1	Rubber Sleeve 6	91	231402-1	1	Compression Spring 7
30	416000-4	1	Lock Off Lever	92	344602-5	1	Support Plate
31	231457-6	1	Compression Spring 3	93	344601-7	1	Lock Plate
32	265995-6	1	Tapping Screw 4X18	94	911113-1	2	P.H. Screw M4x10
33	416007-0	1	Guide Cover	95	251314-2	3	(+) Screw M4X12
34	226465-0	1	Helical Gear 42	96	816775-9	1	Mitre Scale Plate
35	316821-3	1	Bearing Box	97	151580-0	1	Base Com. (Includes 817838-4 - Caution Label)
36	211256-2	1	Ball Bearing 6203LLB	99	911213-7	3	P.H. Screw M5X12
37	285685-5	1	Bearing Retainer 64	100	344603-3	1	Stopper Plate
38	322865-3	1	Spindle	101	256158-5A	1	Pin 3
39	224333-1	1	Flange 53	102	416450-3	1	Lock Lever
40	224333-1	1	Flange 53	103	323741-4	1	Lock Pin
41	265355-2	1	Hex Flange Head Bolt M8x20	104	273495-2	1	Grip 32
42	343639-9	1	Center Plate	105	654020-2	1	Garther Spring
43	344380-7	1	Center Cover	106	265917-6	2	Adjust Bolt M8X42
44	265324-3	1	Hex Flange Head Bolt M8x12	107	251887-5	2	Screw M6X10
45	231593-8	1	Torsion Spring 36	108	251887-5	1	Screw M6X10
46	416003-8	1	Safety Cover	109	251887-5	2	Screw M6X10
47	267136-0	1	Flat Washer 5	Accessories			
48	911213-7	1	P.H. Screw M5X12	A01	762001-3	1	Triangular Rule
49	265985-9	1	Hex Socket Head Bolt M6	A02	782212-4	1	Socket Wrench 13
50	654502-4	1	Connector P-2	A03	122523-9	1	Dust Bag Assy (Includes Item A12)
51	911223-4	2	P.H. Screw M5x16	A04	322602-5	1	Extension Holder 8-1/2"
52	819064-1	1	Makita Mark	A05	122563-7	1	Vise Assy (Old 122564-5)
53	151461-8	1	Blade Case Com. (Includes 263005-3 - Rubber Pin 6)	A06	192713-8	1	Holder Assy (Includes Items 106 & 107) (Old 122446-1)
54	251961-9	1	Hex Socket Head Bolt M6x10	A07	122472-0	1	Set Plate Assy (Includes Item 108)
55	257162-7	1	Ring 7	A08	192622-1	1	Crown Molding Stopper Set
56	253823-7	1	Flat Washer 7	A09	192625-5	1	Vise Set (Includes Item 109)
57	265984-1	1	Hex Socket Button Head Bolt	A10	256812-1	1	Extension Rod 12
58	344377-6	1	Link Plate	A11	792200-3	1	10" C.T. Saw Blade
59	265984-1	1	Hex Socket Button Head Bolt	A12	410602-8	1	Fastener
60	253823-7	1	Flat Washer 7	A13	192714-6	1	Holder Set (Includes 2X322602-5 + 2X251887-5)
61	257162-7	1	Ring 7				
62	213021-5	1	O Ring 5				