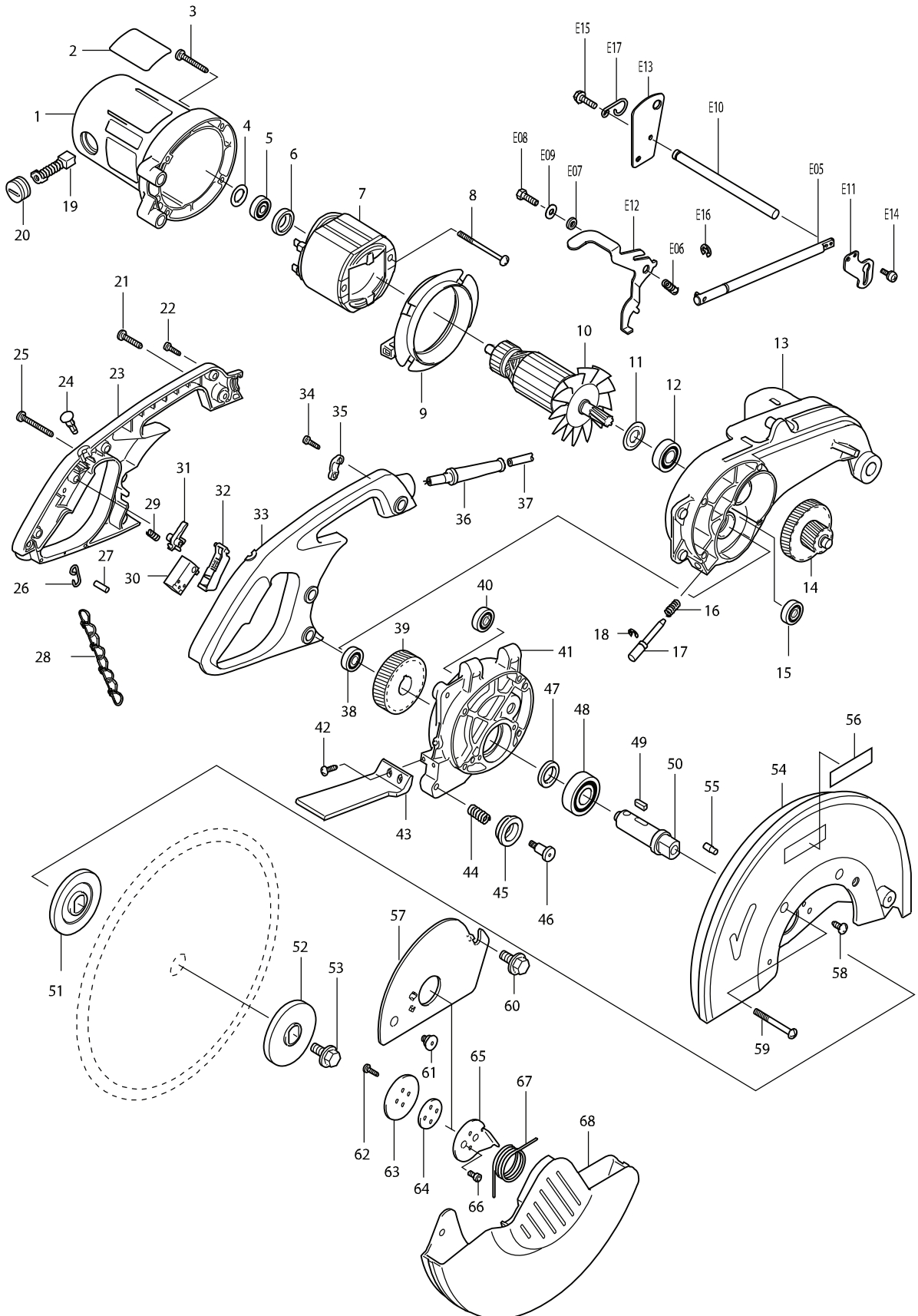
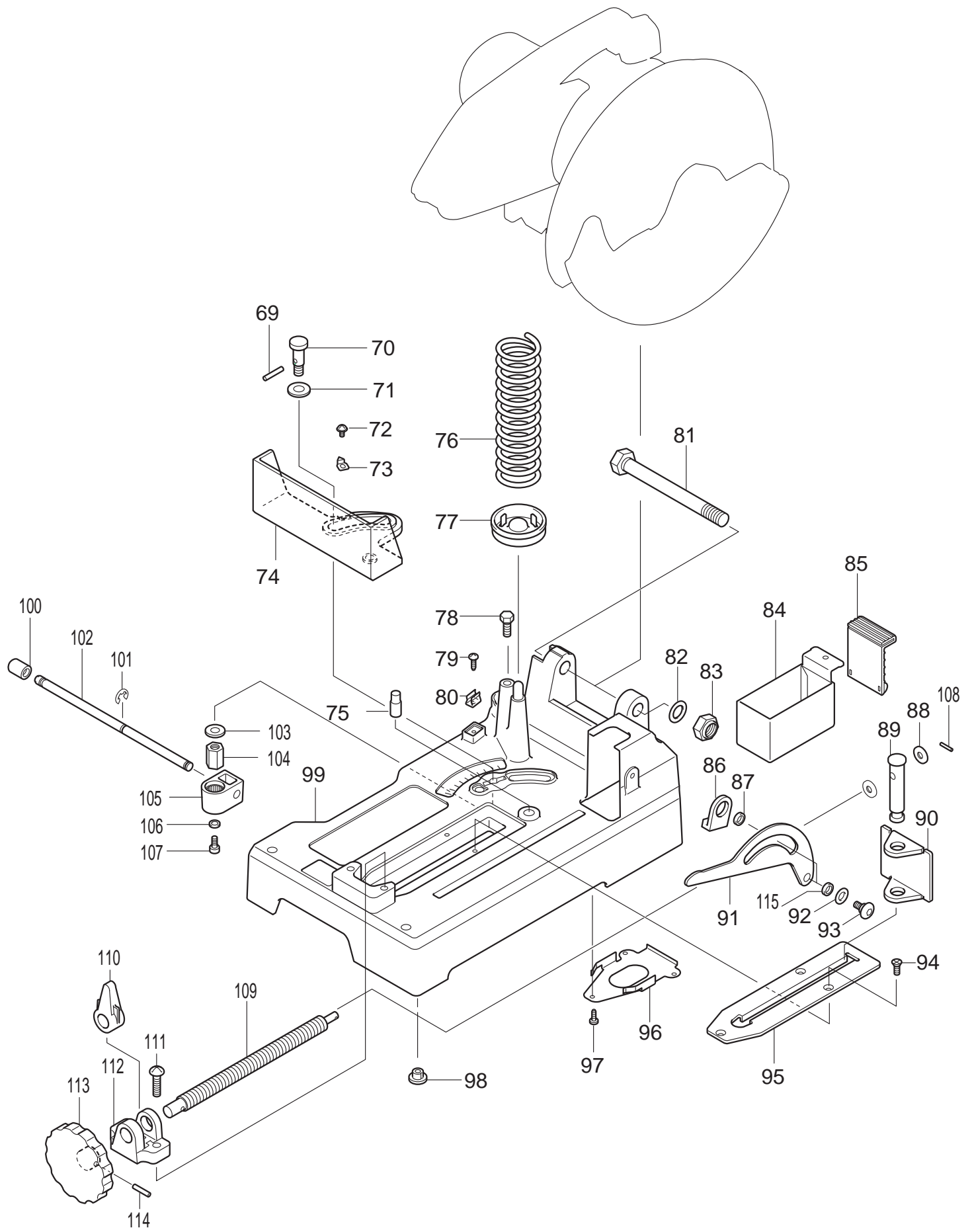




04 - 2017
LC1230
METAL CUTTING SAW





Item No.	Type	Sub	Part No.	Description	Qty	Unit
001	1		151625-4	MOTOR HOUSING COMPLETE	1	PC.
		INC.	632799-5	SUPPORT UNIT	1	PC.
		INC.	643707-1	BRUSH HOLDER (OLD# 643705-5 - N/L/A)	2	PC.
		INC.	817874-0	CAUTION LABEL	1	PC.
		INC.	817881-3	CAUTION LABEL	1	PC.
	2		140L36-0	MOTOR HOUSING COMPLETE	1	PC.
		INC.	632799-5	SUPPORT UNIT	1	PC.
		INC.	643707-1	BRUSH HOLDER	1	PC.
		INC.	819F98-0	CAUTION LABEL	1	PC.
		INC.	819F99-8	CAUTION LABEL	1	PC.
		INC.	819P57-4	CAUTION LABEL	1	PC.
002	2		855P11-4	NAME PLATE F/LC1230	1	PC.
003			266028-0	TAPPING SCREW BIND CT 5X40	4	PC.
004			253749-3	FLAT WASHER 16	1	PC.
005	3		210042-8	BALL BEARING 629LLB	1	PC.
006	2		681666-1	INSULATION WASHER, BLACK	1	PC.
007			636166-6	FIELD 115V	1	PC.
008			266059-9	TAPPING SCREW 5X75	2	PC.
009			415475-4	BAFFLE PLATE	1	PC.
010	2		510282-1	ARMATURE ASS'Y 115V	1	PC.
		INC.	241514-2	FAN 92	1	PC.
		INC.		Item No. 5, 6		
011			267714-6	WASHER 15	1	PC.
012			211206-7	BALL BEARING 6202LLB	1	PC.
013			316626-1	GEAR HOUSING (L)	1	PC.
014			226122-0	GEAR COMPLETE 16-44	1	PC.
015			211064-1	BALL BEARING 6000	1	PC.
016			231418-6	COMPRESSION SPRING 9	1	PC.
017			322678-2	SHAFT LOCK	1	PC.
018			961014-3	STOP RING E-8	1	PC.
019	2		194991-6	CARBON BRUSH CB-203 2PC/SET W/ ORIGIN	1	SET
020			643700-5	BRUSH HOLDER CAP 7-18	2	PC.
021			266032-9	TAPPING SCREW BIND CT 5X30	1	PC.
022			265995-6	TAPPING SCREW 4X18	4	PC.
023			182628-7	HANDLE SET	1	SET
024			411478-6	SWITCH BUTTON	1	PC.
025			266033-7	TAPPING SCREW BIND CT 5X50	2	PC.
026	2		281216-8	HANGER	1	PC.
027	2		268101-2	PIN 6	1	PC.
028	3		281022-1	CHAIN	1	PC.
029			231397-8	COMPRESSION SPRING 4	1	PC.
030			651922-3	SWITCH TG71B, SINGLE, W/O LOCK	1	PC.
031			415366-9	SWITCH LOCK	1	PC.
032			152463-7	SWITCH LEVER COMPLETE	1	PC.
034			265995-6	TAPPING SCREW 4X18	2	PC.
035	2		687124-5	STRAIN RELIEF	1	PC.
036			682505-8	CORD GUARD 10-90	1	PC.
037			664463-0	CORD W/PLUG 2P-14-2.5M, SJ	1	PC.
038			211064-1	BALL BEARING 6000	1	PC.
039			226427-8	HELICAL GEAR 38	1	PC.
040			211061-7	BALL BEARING 6000LLB	1	PC.
041			317148-4	GEAR HOUSING R	1	PC.
042			266034-5	TAPPING SCREW CT 4X16	2	PC.
043			416869-6	PROTECTOR	1	PC.
044			231226-5	COMPRESSION SPRING 11	1	PC.
045			415474-6	BLADE GUIDE	1	PC.
046			266030-3	SCREW M6	1	PC.
047			257139-2	RING 20	1	PC.
048			211329-1	BALL BEARING 6204DDW	1	PC.
049			254229-2	KEY 5	1	PC.
050			323828-2	SPINDLE	1	PC.
051			224308-0	INNER FLANGE 69	1	PC.

Item No.	Type	Sub	Part No.	Description	Qty	Unit
052			224379-7	OUTER FLANGE 69 (OLD# 224309-8 - N/L/A)	1	PC.
053			265414-2	HEX. FLANGE HEAD BOLT M10X20	1	PC.
054	1		183089-4	* BLADE CASE SET	1	PC.
		INC.		Item No. 56		
	2		183L43-0	* BLADE CASE SET	1	PC.
		INC.		Item No. 56	1	PC.
055			256405-4	PIN 6-7	2	PC.
056			819064-1	MAKITA MARK	1	PC.
057			344737-2	CENTER COVER	1	PC.
058			266035-3	TAPPING SCREW BIND CT 5X12	2	PC.
059			911383-2	PAN HEAD SCREW M6X60	4	PC.
060			265414-2	HEX. FLANGE HEAD BOLT M10X20	1	PC.
061			265121-7	+ FLAT HEAD SCREW K6 (OLD# 265020-3 - N/L/A)	1	PC.
062			266034-5	TAPPING SCREW CT 4X16	2	PC.
063			344735-6	CENTER SUPPORT	1	PC.
064			344734-8	CENTER WASHER	1	PC.
065			344736-4	CENTER PLATE	1	PC.
066			922107-1	HEX. SOCKET HEAD BOLT M4X8	2	PC.
067			231643-9	TORSION SPRING 38	1	PC.
068			317152-3	SAFETY COVER	1	PC.
069			256098-7	PIN 5	1	PC.
070			323882-6	COLLARED SHAFT 12	1	PC.
071			253843-1	FLAT WASHER 12	1	PC.
072			911103-4	PAN HEAD SCREW M4X6	1	PC.
073			816128-2	POINTER	1	PC.
074			310086-9	VICE	1	PC.
075			256453-3	PIN 12	1	PC.
076			233103-7	COMPRESSION SPRING 45	1	PC.
077			165066-8	SPRING HOLDER	1	PC.
078			265412-6	HEX. BOLT M8X20	1	PC.
079			266034-5	TAPPING SCREW CT 4X16	1	PC.
080			232075-3	LEAF SPRING	1	PC.
081			265413-4	HEX. BOLT M16	1	PC.
082			253771-0	FLAT WASHER 16	1	PC.
083			252044-8	HEX. NUT M16-24	1	PC.
084			344740-3	DUST BOX	1	PC.
085			421671-4	RUBBER PAD	1	PC.
086	1		421670-6	* CUSHION	1	PC.
	2		422347-6	* CUSHION	1	PC.
087			257222-5	RING 8	1	PC.
088			253731-2	FLAT WASHER 8	2	PC.
089			268040-6	PIN 16	1	PC.
090			344118-0	VICE PLATE	1	PC.
091	2		346633-0	LINK PLATE	1	PC.
092	1		253139-0	* FLAT WASHER 8	2	PC.
	2		267236-6	* FLAT WASHER 8	2	PC.
093	1		251331-2	* + PAN HEAD SCREW K6	2	PC.
	2		265089-7	* + PAN HEAD SCREW K6	2	PC.
094			912212-2	COUNTERSUNK HEAD SCREW M5X12	3	PC.
095			344119-8	GUIDE PLATE	1	PC.
096			344739-8	UNDER PLATE	1	PC.
097			266026-4	TAPPING SCREW BIND CT 4X12	3	PC.
098			286212-1	CAP 20	5	PC.
099	1		151623-8	BASE COMPLETE	1	PC.
		INC.	817838-4	CAUTION LABEL	1	PC.
	2		140M07-3	BASE C OMPLETE	1	PC.
		INC.	817838-4	CAUTION LABEL	1	PC.
		INC.	813L22-1	CAUTION LABEL	1	PC.
100			286236-7	CAP 16	1	PC.
101			961014-3	STOP RING E-8	2	PC.
102			323883-4	LEVER ROD 10	1	PC.
103			253024-7	FLAT WASHER 10	1	PC.

Item No.	Type	Sub	Part No.	Description	Qty	Unit
104			252161-4	HEX. NUT M10-17	1	PC.
105			151622-0	LEVER HOLDER COMPLETE	1	PC.
106			941152-7	FLAT WASHER 6	1	PC.
107	2		265381-1	HEX. BOLT M6X16	1	PC.
108			951063-8	SPRING PIN 3-16	1	PC.
109			322679-0	VICE SCREW	1	PC.
110			322209-7	VICE NUT	1	PC.
111			911451-1	PAN HEAD SCREW M8X30	2	PC.
112			311949-2	SCREW GUIDE	1	PC.
113			271072-4	HANDLE 100 (Silver) (OLD# 271062-7 (BLK) - N/L/A)	1	PC.
114			951166-8	SPRING PIN 5-24	1	PC.
115			257157-0	RING 8	1	PC.

ACCESSORIES

- See catalogue or visit www.makita.ca for other optional accessories -

A01			782210-8	SOCKET WRENCH 17	1	PC.
A03			A-90897	12" C.T.SAW BLADE 60T (F/MILD STEEL)	1	PC.
A04			411478-6	SWITCH BUTTON	2	PC.
A05			A-95803	12" CT BLADE 100T 1" F/METAL, STAINLESS STEEL	1	PC.

OPTIONAL ITEMS

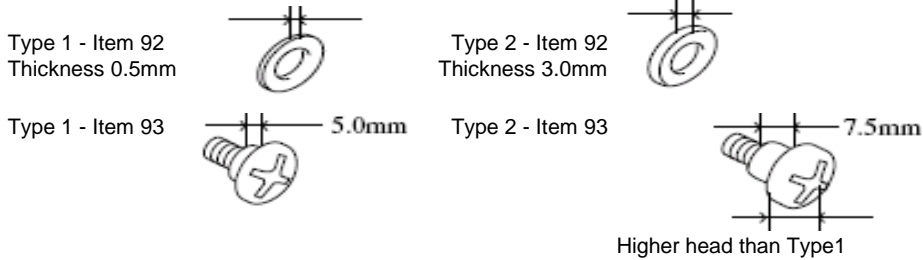
E05			151642-4	ROD 12 COMPLETE (OPTIONAL)	1	PC.
E06			233197-2	COMPRESSION SPRING 7 (OPTIONAL)	1	PC.
E07			257078-6	RING 6 (OPTIONAL)	1	PC.
E08			265381-1	HEX.BOLT M6X16 (OPTIONAL)	1	PC.
E09			267133-6	FLAT WASHER 6 (OPTIONAL)	1	PC.
E10			323885-0	LOCK PIN 12 (OPTIONAL)	1	PC.
E11			344742-9	LOCK PLATE (OPTIONAL)	1	PC.
E12			344743-7	LOCK LEVER (OPTIONAL)	1	PC.
E13			344744-5	STOPER PLATE (OPTIONAL)	1	PC.
E14			911118-1	PAN HEAD SCREW M4X12 (OPTIONAL)	1	PC.
E15			922331-6	H.S.H.BOLT M6X20 (OPTIONAL)	1	PC.
E16			961014-3	STOP RING E-8 (OPTIONAL)	1	PC.
E17			322049-3	HOOK (OPTIONAL)	1	PC.

SERVICE CHANGES

1. Changes on Flat Washer 8 and P.H.Scrwe M6

Item No.	Description	Type 1	Type 2
92	Flat Washer 8	253139-0	267236-6
93	+P.H.Screw M6	251331-2	265089-7

Above parts are completely interchangeable as a set.



2. Changes on Blade case and Cushion

Item No.	Description	Type 1	Type 2
54	Blade case set	183089-4	183L43-0
86	Cushion	421670-6	422347-6

Above parts are completely interchangeable as a set.