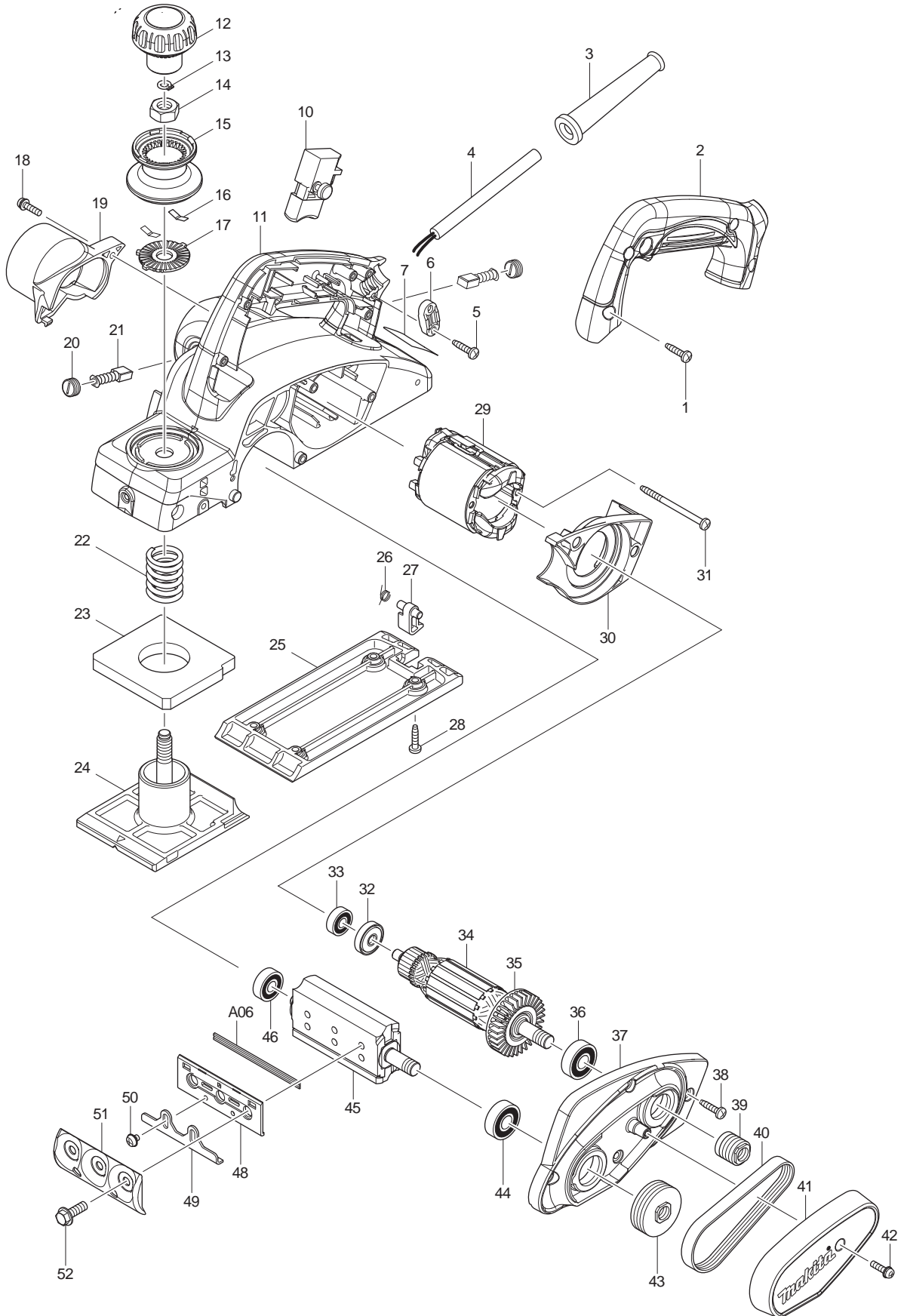




01 - 2012  
KP0800 / KP0800K / KP0800KX  
3-1/4" PLANER KIT



Item No.	Type	Sub	Part No.	Description	Qty	Unit
001	2		265A48-7	TAPPING SCREW 4X18	4	PC.
002			451314-4	HANDLE COVER	1	PC.
003			682502-4	CORD GUARD 8-85	1	PC.
004			664064-4	CORD W/PLUG 2P-18-2.5M, SJ	1	PC.
005	2		265A48-7	TAPPING SCREW 4X18	2	PC.
006			687063-9	CORD CLAMP (STRAIN RELIEF)	1	PC.
007			867138-2	KP0800 NAME PLATE	1	PC.
010			650236-7	SWITCH SGEL115CDY-13	1	PC.
011			140198-2	MAIN FRAME COMPLETE	1	PC.
		INC.	643455-2	BRUSH HOLDER 6X9	2	PC.
		INC.	810581-4	CAUTION LABEL	1	PC.
012			451328-3	KNOB COVER	1	PC.
013			961004-6	RETAINING RING S-8	1	PC.
014			264028-4	HEX. NUT M10	1	PC.
015			451325-9	KNOB	1	PC.
016			232185-6	LEAF SPRING	2	PC.
017			346110-2	CAM PLATE	1	PC.
018			911128-8	PAN HEAD SCREW M4X16	1	PC.
019			451393-2	CHIP COVER	1	PC.
020			643550-8	BRUSH HOLDER CAP 5-8	2	PC.
021			195008-8	CARBON BRUSH CB-408 2PC/SET (W/ ORIGIN)	1	SET
022			231004-3	COMPRESSION SPRING 18	1	PC.
023			421007-7	RUBBER PACKING	1	PC.
024	2		319010-9	FRONT BASE	1	PC.
025	2		319009-4	BASE	1	PC.
026			231698-4	TORSION SPRING 7	1	PC.
027			451392-4	FOOT	1	PC.
028	2		265A48-7	TAPPING SCREW 4X18	4	PC.
029			590025-7	FIELD ASS'Y 115V	1	PC.
		INC.	654100-4	RING TERMINAL	2	PC.
		INC.	654555-3	CONNECTOR 34130	2	PC.
030			451327-5	BAFFLE PLATE	1	PC.
031	2		266334-3	TAPPING SCREW 4X60	2	PC.
032			681652-2	INSULATION WASHER	1	PC.
033			210017-7	BALL BEARING 607DDW	1	PC.
034			515791-5	ARMATURE ASS'Y 115V	1	PC.
		INC.	*****	Item No. 32, 33, 35, 36	1	PC.
035			240052-1	FAN 46	1	PC.
036			211088-7	BALL BEARING 6000DDW	1	PC.
037			140201-9	BRACKET COMPLETE	1	PC.
		INC.	263002-9	RUBBER PIN 4	2	PC.
038	2		265A48-7	TAPPING SCREW 4X18	4	PC.
039	2		222125-2	V PULLEY 4-20L (TYPE2)	1	PC.
040			225007-7	POLY V-BELT 4-241	1	PC.
041			451326-7	BELT COVER	1	PC.
042			911128-8	PAN HEAD SCREW M4X16	1	PC.
043	2		222126-0	V PULLEY 4-37 (TYPE2)	1	PC.
044			211088-7	BALL BEARING 6000DDW	1	PC.
045			161061-6	DRUM	1	PC.
046			211032-4	BALL BEARING 608ZZ	1	PC.
048			343433-9	SET PLATE F/MINI BLADE	2	PC.
049	1		347027-2	* ADJUST PLATE (Bulk production use)	2	PC.
	2		345644-2	* ADJUST PLATE	2	PC.

Item No.	Type	Sub	Part No.	Description	Qty	Unit
050			265132-2	+ PAN HEAD SCREW M4X5	4	PC.
051	2		187679-5	DRUM PLATE (2PCS/SET)	1	SET
052			251609-3	HEX. FLANGE HEAD BOLT M6X17	6	PC.
100			652008-6	PAN HEAD SCREW M3.5X7(FOR SWITCH)	2	PC.
101			654117-7	INSULATING TERMINAL(FOR SWITCH)	2	PC.
102			654558-7	INSULATED CONNECTOR(FOR SWITCH)	1	PC.
300			870443-8	CARTON	1	PC.
<b><u>ACCESSORIES</u></b>						
A01	5		191C19-9	BLADE GAUGE ASS'Y - PKG	1	PC.
		INC.	122695-0	BLADE GAUGE ASSY	1	PC.
		INC.	265131-4	PH SCREW M5X18	2	PC.
		INC.	418465-6	GAUGE PLACE	1	PC.
A02			782209-3	SOCKET WRENCH 9	1	PC.
A03	2		195055-9	GUIDE RULE	1	PC.
		INC.	265785-7	THUMB SCREW M5X10(FOR GUIDE RULE)	1	PC.
		INC.	165581-2	GUIDE RULE SET	1	PC.
A05			824892-1	PLASTIC CARRYING CASE	1	PC.
		INC.	163455-1	LATCH	2	PC.
		INC.	419360-3	HANDLE	1	PC.
A06			-----	3-1/4" PLANER BLADES		
A06			D-16966	3-1/4"C.T MINI PLANER BLADE,35 DEGREE (2PCS/SET)	1	SET
		INC.	410602-8	FASTENER	1	PC.
A07	2		191C21-2	DUST BAG ASS'Y - PKG (use with 451329-1 Nozzle)	1	PC.
A08	2		191C17-3	SHARPENING HOLDER ASS'Y - PKG	1	PC.
A09			123060-6	BEVEL GUIDE ASSY	1	PC.
		INC.	923211-9	CAP SQUARE NECK BOLT M5X12	2	PC.
		INC.	911221-8	PAN HEAD SCREW M5X16	2	PC.
		INC.	934201-7	WING NUT M5	2	PC.
A10			191725-8	EXTENSION GUIDE SET	1	SET
		INC.	911201-4	PAN HEAD SCREW M5X8	2	PC.
		INC.	252045-6	SQUARE NUT M5	2	PC.
A11			193540-6	SET PLATE (FOR MINI PLANER BLADE) (2PC/SET)	1	SET
		INC.		Item No. 48		
A12	2		191C20-4	ELBOW - Packaged	1	PC.
A13			451329-1	NOZZLE	1	PC.
A14			794061-7	DRESSING STONE 150-1200	1	PC.