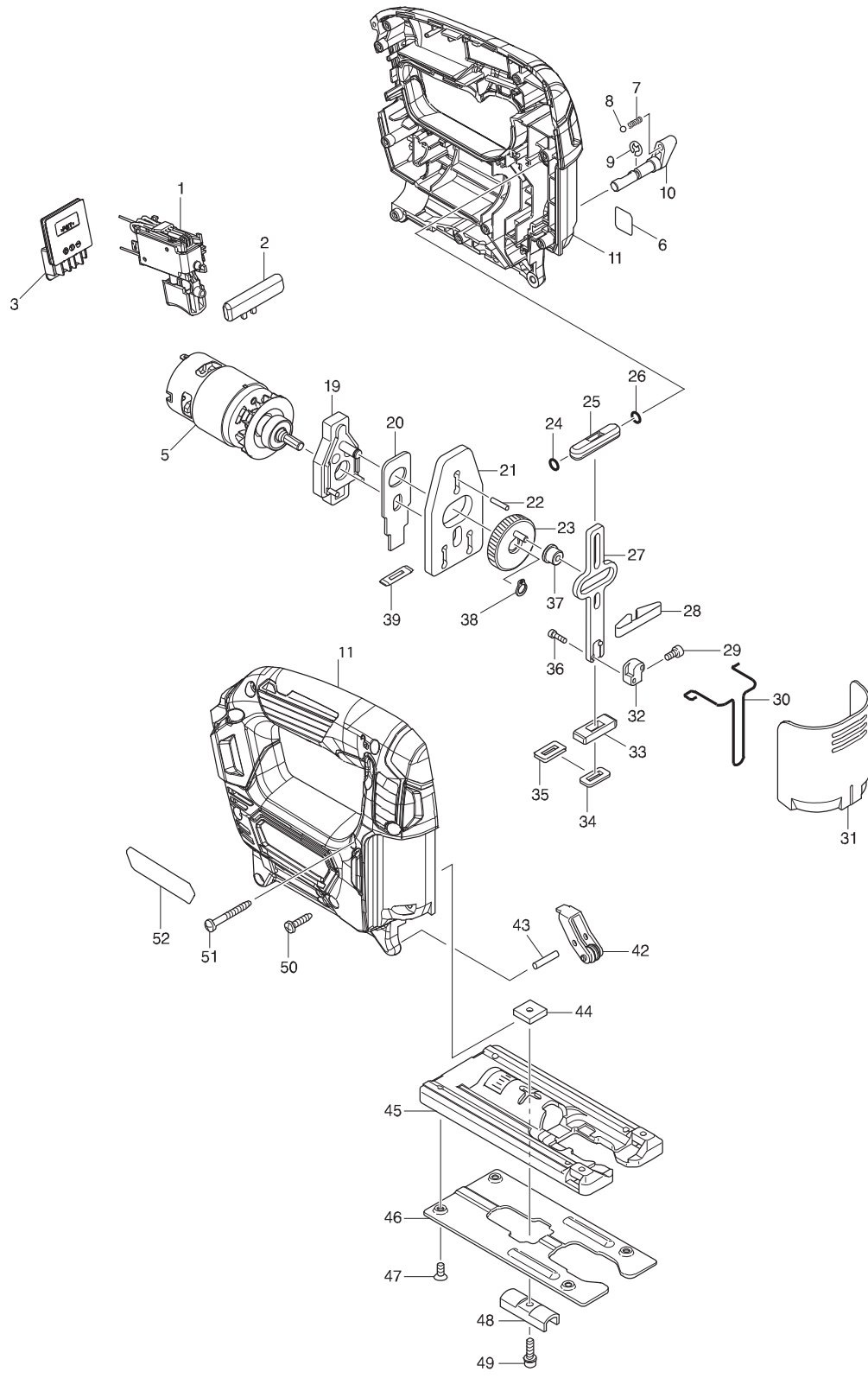




02 - 2016
JV101DSYE / JV101DZ
12V MAX Jig Saw



Item No.	Type	Sub	Part No.	Description	Qty	Unit
001			632G54-7	SWITCH UNIT	1	PC.
002			454742-2	LOCK OFF BUTTON	1	PC.
003			644813-5	TERMINAL	1	PC.
005			629211-4	DC MOTOR	1	PC.
007			233151-6	COMPRESSION SPRING 4	1	PC.
008			216008-6	STEEL BALL 4	1	PC.
009			961011-9	STOP RING E-4	1	PC.
010			272267-2	LEVER 19	1	PC.
011			183E12-9	HOUSING SET	1	SET
		INC.	263002-9	RUBBER PIN 4	2	PC.
		INC.	808V30-5	CAUTION LABEL	1	PC.
019			152600-3	BEARING CASE COMPLETE	1	PC.
020			344683-9	PUSH PLATE	1	PC.
021			344614-8	BALANCE PLATE	1	PC.
022			256254-9	PIN 3	1	PC.
023			153260-4	GEAR COMPLETE	1	PC.
024			213038-8	O RING 5	1	PC.
025			313082-6	SLIDER GUIDE	1	PC.
026			213038-8	O RING 5	1	PC.
027			344613-0	SLIDER	1	PC.
028			232183-0	LEAF SPRING	1	PC.
029			922107-1	HEX. SOCKET HEAD BOLT M4X8	1	PC.
030			323748-0	SAFETY WIRE	1	PC.
031			416476-5	DUST COVER	1	PC.
032			313140-8	BLADE CLAMP	1	PC.
033			313086-8	SLIDER SUPPORT	1	PC.
034			423307-1	POLY URETANE SPONGE SEAL	1	PC.
035			344686-3	SEAL PLATE	1	PC.
036			266177-3	HEX. SOCKET HEAD BOLT M3X10	2	PC.
037			257683-9	COLLAR SLEEVE	1	PC.
038			961002-0	RETAINING RING S-6	1	PC.
039			416703-0	DUST SEAL	1	PC.
042			158392-2	RETAINER COMPLETE	1	PC.
043			256117-9	PIN 4	1	PC.
044			343540-8	HOLDER	1	PC.
045			317796-9	BASE	1	PC.
046			345441-6	BASE PLATE	1	PC.
047			912107-9	COUNTERSUNK HEAD SCREW M4X8	4	PC.
048			344685-5	CLAMP PLATE	1	PC.
049			922128-3	HEX. SOCKET HEAD BOLT M4X16	1	PC.
050			266326-2	TAPPING SCREW 4X18	9	PC.
051			266351-3	TAPPING SCREW 4X35	1	PC.
052			852E09-6	NAME PLATE F/JV101D	1	PC.
C01			879259-8	CARTON F/JV101DSYE	1	PC.

ACCESSORIES

- Visit www.makita.ca for more accessories information -

A01			792529-7	JIG SAW BLADE B-10 5PC/SET	1	SET
A02			783201-2	HEX. WRENCH 3	1	PC.
A03			192732-4	GUIDE RULE SET	1	PC.
		INC.	323802-0	GUIDE PIN	1	PC.
		INC.	271601-3	KNOB 20	1	PC.
		INC.	922107-1	HEX. SOCKET HEAD BOLT M4X8	1	PC.
A04			DC10SB	RAPID CHARGER DC10SB	1	PC.
A05			-----	12V MAX LI-ION BATTERY, SLIDE TYPE	2	PC.
A06			456128-6	BATTERY COVER F/12V LI-ION SLIDE BATTERY	1	PC.
A07			197210-9	INTERLOCKING TOOL CASE S	1	PC.
		INC.	453974-8	LOCKING LATCH	4	PC.
A08			192279-8	HOSE COMPLETE 28-3.0M	1	PC.
A09			415524-7	ANTI-SPLINTERING DEVICE	1	PC.
A10			417852-6	COVER PLATE	1	PC.
A11			B-44410	JIG SAW BLADE 10PC/KIT	1	PC.
A12			T-02571	FORM INSERT F/INTERLOCKING CASE	1	PC.