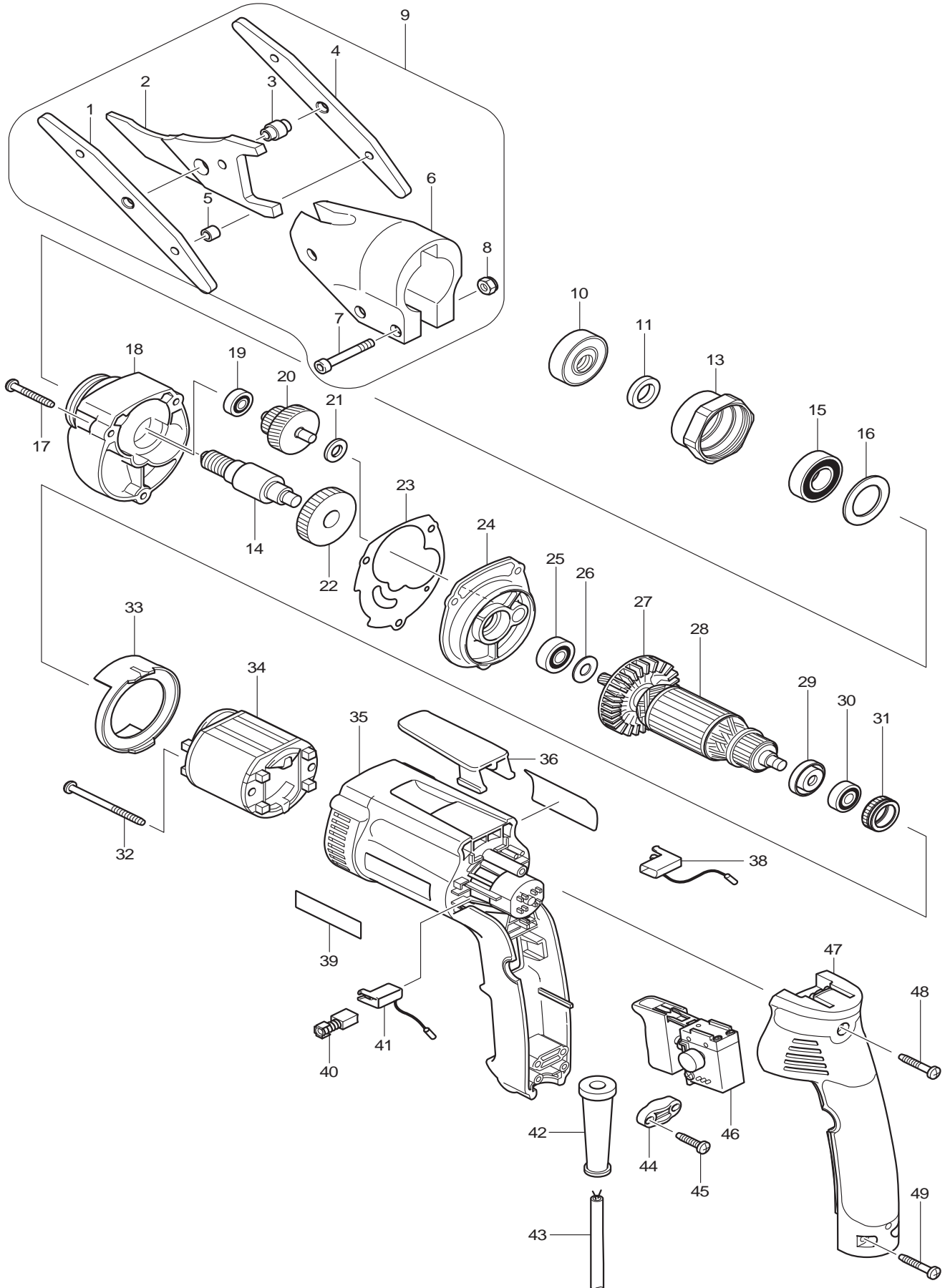




12-2009
JS8000
CEMENT SHEAR



Item No	Type	Ref	Part No	Description	Qty	Unit
003			331738-9	PIVOT BUSH	1	PC.
005			331737-1	SPACER BUSH	1	PC.
006			331736-3	SHEAR HEAD	1	PC.
007			266407-2	HEX.SOCKET BOLT M5X35	3	PC.
008			264007-2	HEX.LOCK NUT M5	3	PC.
009			125354-5	SHEAR HEAD ASS'Y	1	PC.
		INC.		Item No. 1-8		
010			125355-3	ECCENTRIC BEARING ASS'Y	1	PC.
011			267341-9	FLAT WASHER 13	1	PC.
013			331695-1	JOINT	1	PC.
014			324394-2	SPINDLE	1	PC.
015			211236-8	BALL BEARING 6002DDW	1	PC.
016			253793-0	FLAT WASHER 22	1	PC.
017			266050-7	TAPPING SCREW 4X30	3	PC.
018			317727-8	GEAR HOUSING	1	PC.
019	2		211012-0	BALL BEARING 606ZZ	1	PC.
020			226133-5	GEAR COMPLETE 17-35	1	PC.
021			267017-8	FLAT WASHER 8	1	PC.
022			227010-4	SPUR GEAR 36	1	PC.
023			442136-3	GASKET	1	PC.
024			152910-8	GEAR HOUSING COVER COMPLETE	1	PC.
025			210007-0	BALL BEARING 608VV	1	PC.
026			253139-0	FLAT WASHER 8	1	PC.
027			240022-0	FAN 52	1	PC.
028			517321-8	ARMATURE ASS'Y 115V	1	PC.
		INC.		Item No. 25-27,29,30		
029			681636-0	INSULATION WASHER	1	PC.
030			211021-9	BALL BEARING 607LLB	1	PC.
031			421479-6	RUBBER RING 19	1	PC.
032			266147-2	TAPPING SCREW 4X55	2	PC.
033			416993-5	BAFFLE PLATE	1	PC.
034			633441-1	FIELD 115V	1	PC.
035	3		450718-7	* MOTOR HOUSING (MAKITA LOGO PRINTED)	1	PC.
036			417625-7	HOOK	1	PC.
037			862959-7	NAME PLATE F/ JS8000	1	PC.
038			643973-0	BRUSH HOLDER	1	PC.
039			819063-3	MAKITA LABEL (OLD)	1	PC.
040	2		195007-0	CARBON BRUSH CB-407 2PC/SET, W/O ORIGIN	1	SET
041			643971-4	BRUSH HOLDER	1	PC.
042			682559-5	CORD GUARD 8	1	PC.
043			664891-9	CORD WITH PLUG 2P-18-2.5M SJ	1	PC.
044	2		687123-7	CORD CLAMP (STRAIN RELIEF)	1	PC.
045			265995-6	TAPPING SCREW 4X18	2	PC.
046			651296-2	SWITCH C3MA-2L-S	1	PC.
047	1		151961-8	* HANDLE COVER COMPLETE	1	PC.
		INC.	263002-9	* RUBBER PIN 4	2	PC.
	2		158710-4	* HANDLE COVER COMPLETE	1	PC.
		INC.	263002-9	* RUBBER PIN 4	2	PC.
048			265999-8	TAPPING SCREW 4X25	1	PC.
049			265999-8	TAPPING SCREW 4X25	2	PC.

Item No	Type	Ref	Part No	Description	Qty	Unit
ACCESSORIES						
A01			783221-6	HEX.WRENCH 5/32'	1	PC.
A02			824780-2	PLASTIC CARRYING CASE	1	PC.
A03			135168-4	SHEAR BLADE ASSY	1	PC.
		INC.		Item No. 1-5		

SERVICE CHANGES

1. Changes on Motor Housing & Handle Cover Com.

Item No.	Description	Type 1	Type 2	Type 3
35	Motor Housing	183285-4	188628-5	450718-7
47	Handle Cover Com	151961-8	158710-4	

Above parts are completely interchangeable as a set.

