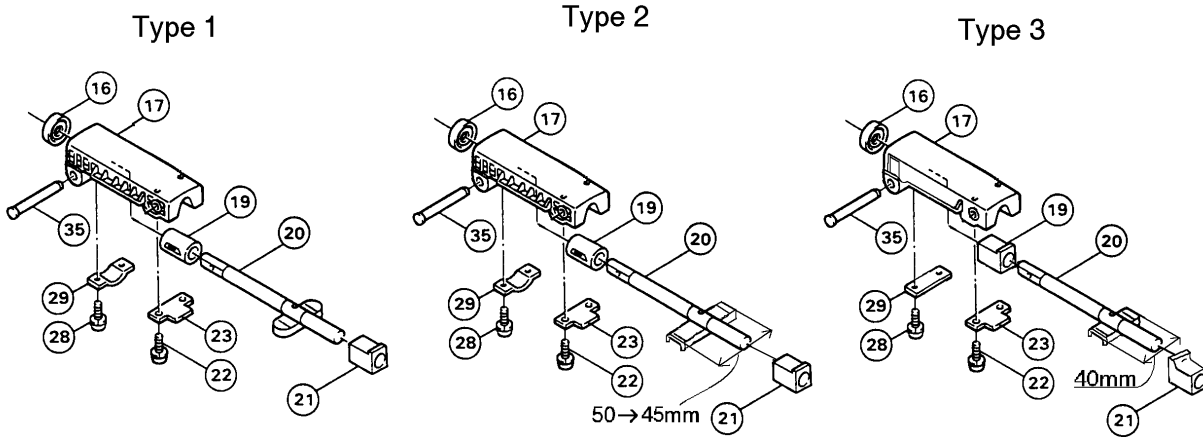


Item No.	Part No.	No. Used	Description	Item No.	Part No.	No. Used	Description
1	256654-3	1	Pin 4	53	211131-2	1	Ball Bearing 6001DDW
2	266242-8	1	Hex Socket Bolt M5x45 (Old 922907-9)	54	285675-8	1	Bearing Retainer
3	942101-7	1	Spring Washer 5	55	241863-7	1	Fan 70
4	344095-6	1	Shoe Plate	56	516166-1	1	Armature Assy(MJ)(Includes Items 55, 57 & 58)
5	961017-7	1	Stop Ring E-3		616241-4	1	Armature (MCA) (Includes Items 55 & 57)
6	252103-8	1	Hex Lock Nut M5-8	57	681625-5	1	Insulation Washer
7	344096-4	1	Shoe Supporter	58	210005-4	1	Ball Bearing 608DDW
8	265836-6	1	Screw M8x9	59	415174-8	1	Speed Control Knob
9	*	1	Leaf Spring	60	*	1	Handle (R)
10	*	1	Blade Clamp	61	*	1	Motor Housing Com. (Includes
11	*	1	Hex Socket Head Bolt				2 Brush Holders - #643751-8
12	421451-8	1	Insulation Cover				& Rubber Pin 4 - #263002-9)
13	159614-3	1	Gear Housing Cover Com. (Includes Items 92 & 93)	62	191941-2	2	Carbon Brush CB-251 (Old 191937-3 CB-250)
14	961012-7	1	Stop Ring E-6	63	643750-0	2	Brush Holder Cap (MJ)
15	961012-7	1	Stop Ring E-6		643755-0	2	Brush Holder (MCA)
16	*	1	Dust Seal	64	410048-8	1	Wrench Holder 3, 4
17	*	1	Slider Support	65	632461-2	1	Support Complete (Old)
18	231342-3	2	Compression Spring 4	66	634166-0	1	Field(MJ)
19	*	1	Linear Ball Bearing/Plane Bearing		634246-2	1	Field(MCA)
20	*	1	Slider	67	*	2	Screw
21	214161-2	1	Plane Bearing 12.7*	68	415157-8	1	Fan Guide
22	*	2	Screw M5x16	69	911253-5	4	P.H. Screw M5x30
23	343980-0	1	Plate (B)	70	421447-9	2	Rubber (B)
24	343983-4	1	Arm	71	263002-9	1	Rubber Pin 4
25	265011-4	2	(+) Binding Head Screw M5	72	256221-4	1	Pin 3
26	343981-8	1	Plate (C)	73	233024-3	1	Compression Spring 4
27	251969-3	2	Hex Socket Head Bolt M5x12	74	415160-9	1	Lock Button
28	*	2	Screw M5x16	75	651920-7	1	Switch
29	*	1	Plate	76	256221-4	1	Pin 3
30	212308-2	1	Thrust Needle Bearing 2035	77	415158-6	1	Switch Lever
31	153218-3	1	Gear (Includes Pin 7 - #256197-5)	78	421446-1	4	Rubber (A)
32	211519-6	1	Ball Bearing 6808	79	*	1	Handle (L)
33	253816-4	1	Falt Washer 6	80	*	5	Screw
34	251969-3	1	Hex Socket Head Bolt M5x12	81	631149-1	1	Triac
35	*	1	Pin 7	82	415156-0	1	Controller Case
36	272228-2	1	Lever 20	83	421448-7	1	Rubber Band
37	231309-1	1	Compression Spring 5	84	654020-2	2	Garter Spring
38	415173-0	1	Stopper	85	421452-6	1	Rubber Plate
39	257106-7	1	Ring 8	86	265995-6	2	Tapping Screw 4x18
40	343982-6	1	Lever Plate	87	678063-9	1	Strain Relief
41	921432-7	1	Hex. Bolt M8x20	88	682503-2	1	Cord Guard 8-90
42	272227-4	1	Lever 50 (Type 1)	89	664013-1	1	Cord With Plug 2P-18-2.5
	272235-5	1	Lever 50 (Type 2)	90	654501-6	2	Solderless Connector P-1.25
43	912202-5	1	Countersunk Head Screw M5x8 (Type 1)	91	931102-0	5	Hex Nut M4
	922201-9	1	Countersunk Head Screw M5X8 (Type 2)	92	423234-2	1	Packing
44	212038-5	1	Needle Bearing 710	93	423233-4	1	Seal Plate
45	911601-8	2	P.H. Screw M5x8	<u>Accessories</u>			
46	212115-3	1	Needle Bearing 1216	A01	- - - -	1	Recipro Saw Blade (See Catalogue for Details)
47	321263-8	1	Gear Shaft	A02	783202-0	1	Hex Wrench 4
48	316464-1	1	Gear Housing	A03	191686-A	1	Makita Safety Glasses
49	911243-8	4	P.H. Screw M5x25	A04	G-00001	1	Makita Safety Gloves
50	911621-2	1	P.H. Screw M5x16	A05	A00188-3	2	Snap Lock (L)
51	911213-7	3	P.H. Screw M5x12	A06	824412-1	1	Plastic Carrying Case (With A05)
52	961052-5	1	Retaining Ring S-12				

SERVICE CHANGES

1. Change on Slider Support, Slider, Dust Seal etc.

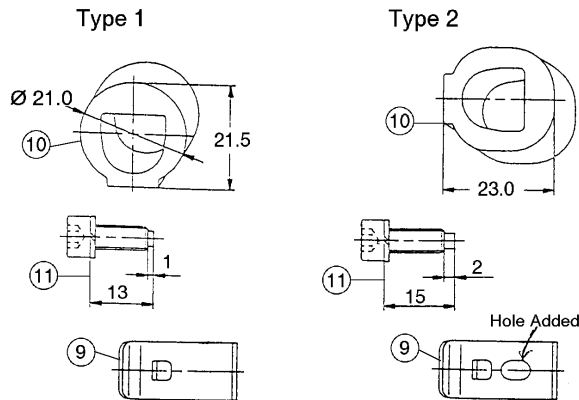


Item No.	Description	Type 1	Type 2	Type 3	Type 4 (MCA)
16	Dust Seal	213170-8 (12)		213171-6 (12.7)	
17	Slider Support	415172-2(Plastic) (No Longer Available)		316765-7 (Aluminium)	
19	Linear Ball Bearing/ Plane Bearing	211135-4 (1228)		214161-2 (12.7)(MJ) 214157-3 (12.7)(MCA)	214167-0
20	Slider	168250-4	168268-5	168281-3	
21	Plane Bearing 12.7	214161-2		214161-2 Turn in opposite direction to Item 19 (MJ) 214157-3(MCA)	214167-0
22, 28	Screw M5 x 16	911621-2 (P.H.)		266086-6 (H.S.H.)	
29	Plate	344048-5 (A)		341462-6	
35	Pin 7	256681-0		268012-1	
	Serial No.	~ 8638E	8639E ~ 13938E	13939E ~	TBA

Type 2 Slider replaces Type 1 Slider.

There are 2 kinds of Type 2 Slider (Replacement parts). One Type 2 Slide Block has a width of 50mm & the improved

2. Change on Blade Clamp and Hex Socket Head Bolt.

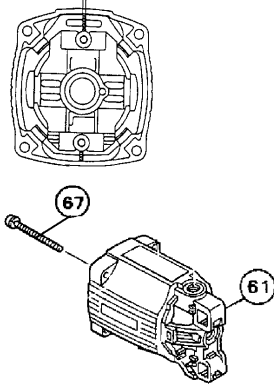


Item No	Description	Type 1	Type 2
9	Leaf Spring	232129-6	232165-2
10	Blade Clamp	313067-2 (No Longer Available)	313075-3
11	Hex Socket Head Bolt	265986-7 M5x13 (No Longer Available)	266090-5 M5x15
	Serial No.	~ 17195E	17196E ~

3. Change on Motor Housing and Screw.

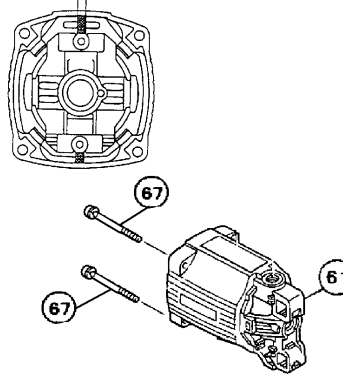
Type 1

Rib: 2mm (3/32") wide



Type 2

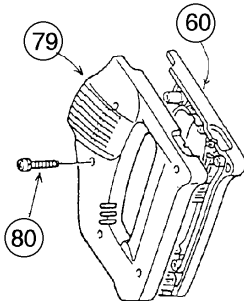
Rib: 5mm (3/16") wide



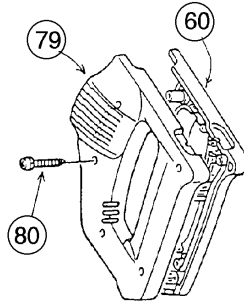
Item No.	Description	Type 1	Type 2
61	Motor Housing Com.	159546-4 Rib: 2mm(3/32")wide (No Longer Available)	159840-4 Rib: 5mm (3/16") Wide
67	Screw	911686-4 P.H. Screw M5x65	266029-8 Tapping Screw PT5x65
	Serial No.	~ 13937E	13938E ~

4. Change on Handle and Screw.

Type 1



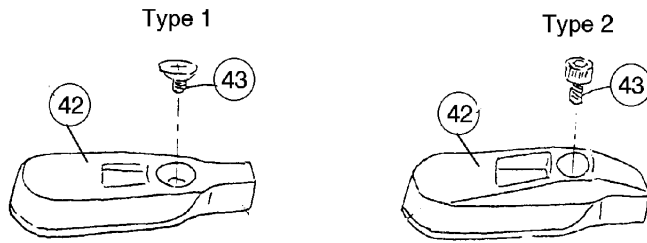
Type 2



Item No	Description	Type 1	Type 2
60	Handle (R)	415154-4	415154-4A
79	Handle (L)	415155-2	415155-2A
80	Screw	911158-9 P.H. Screw M4x30	265999-8 Tapping, Flange, PT4x25

Above parts are completely interchangeable as a set.

5. Change on Lever.

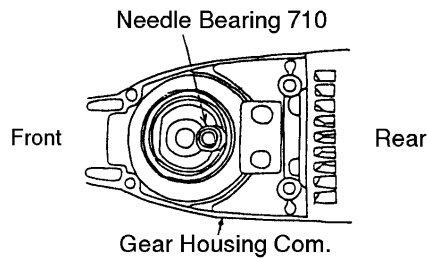


Item No.	Description	Type 1	Type 2
42	Lever 50	272227-4	272235-5
43	Screw M5x8 / Bolt M5x8	912202-5 Countersunk Head Screw M5x8	922201-9 Hex Socket Head Bolt M5x8
	Serial #	~ 24018E	24019E ~

SERVICE NOTE ON HOW TO FIX GEAR HOUSING COVER TO GEAR HOUSING COM.

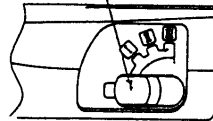
Follow the procedure described below when fixing the Gear Housing Cover to the Gear Housing Com., or when parts around Gear Housing (Arm etc.) might be damaged.

1. Set the Needle Bearing 710 of Gear Com. in the position that is the closest to the rear end of Gear Housing Com.



2. Set the Lever at "0" position.

Lever (to change orbital action)



3. Move the Slider block towards the arm until it stops.

4. Pull the arm to direction, and then fit the Gear Housing Cover on the Gear Housing Com. carefully.

