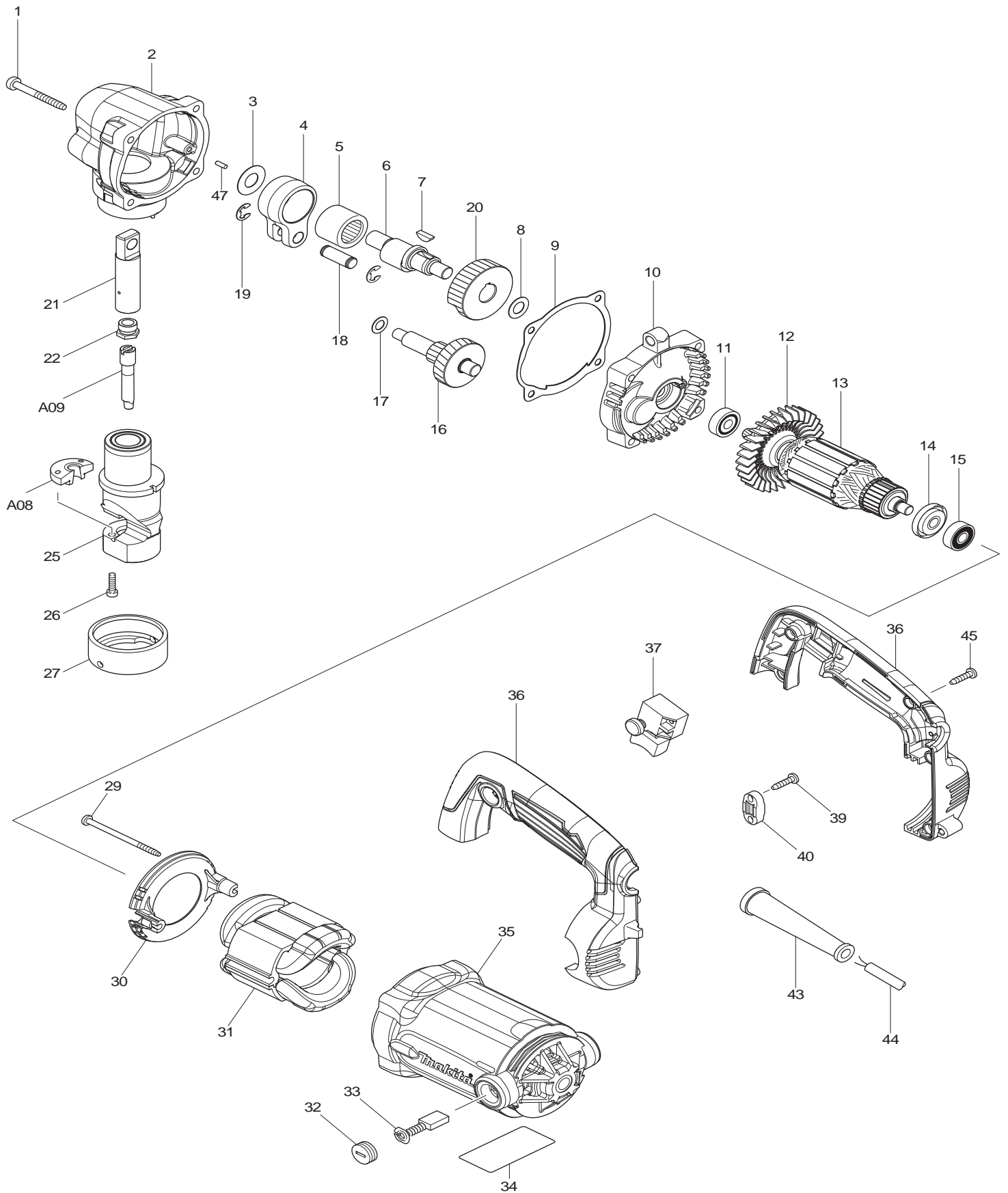




01 - 2013
JN3201J
10 GAUGE NIBBLER W/CASE



Item No	Type	Ref	Part No	Description	Qty	Unit
001			266056-5	TAPPING SCREW 5X45	4	PC.
002			141797-3	GEAR HOUSING COMPLETE	1	PC.
		INC.	800S41-8	INDICATION LABEL	1	PC.
003			253759-0	FLAT WASHER 12	1	PC.
004			331167-6	ROD	1	PC.
005			212306-6	NEEDLE BEARING 2020	1	PC.
006			321408-8	CRANK SHAFT	1	PC.
007			254001-2	WOODRUFF KEY 4	1	PC.
008			253758-2	FLAT WASHER 10	1	PC.
009			442186-8	GASKET	1	PC.
010			141796-5	GEAR HOUSING COVER COMPLETE	1	PC.
		INC.	263002-9	RUBBER PIN 4	1	PC.
011			211031-6	BALL BEARING 608LLB	1	PC.
012			240094-5	FAN 70	1	PC.
013			513856-7	ARMATURE ASS'Y 115V	1	PC.
		INC.		ITEM 11,12,14,15		
014			681644-1	INSULATION WASHER	1	PC.
015			210029-0	BALL BEARING 608ZZ	1	PC.
016			226060-6	GEAR COMPLETE 15-46	1	PC.
017			253215-0	FLAT WASHER 8	1	PC.
018			321418-5	PIN 9	1	PC.
019			961013-5	STOP RING E-7	2	PC.
020			221880-3	SPUR GEAR 44	1	PC.
021			152486-5	PUNCH HOLDER COMPLETE	1	PC.
022			321406-2	SCREW	1	PC.
025			152176-0	DICE HOLDER COMPLETE	1	PC.
026			922127-5	HEX. SOCKET HEAD BOLT M4X16	2	PC.
027			321415-1	LOCK NUT	1	PC.
029			266340-8	TAPPING SCREW 4X65	2	PC.
030			454140-0	BAFFLE PLATE	1	PC.
031			525866-2	FIELD ASS'Y 115V	1	PC.
		INC.	654020-2	RING TERMINAL	2	PC.
		INC.	654501-6	CONNECTOR P-1.25	2	PC.
032	2		643515-0	HOLDER CAP 7-11	2	PC.
033			194996-6	CARBON BRUSH CB-303 2PC/SET	1	SET
034			814C94-5	JN3201 NAME PLATE	1	PC.
035			158278-0	MOTOR HOUSING COMPLETE	1	PC.
		INC.	643708-9	BRUSH HOLDER 5-11	2	PC.
036			187532-5	HANDLE SET	1	SET
037			651284-9	SWITCH SGEL115CDY-6	1	PC.
039			266326-2	TAPPING SCREW 4X18	2	PC.
040			687063-9	CORD CLAMP (STRAIN RELIEF)	1	PC.
043			682503-2	CORD GUARD 8-90	1	PC.
044			664064-4	CORD W/PLUG 2P-18-2.5M, SJ	1	PC.
045			266326-2	TAPPING SCREW 4X18	5	PC.
047			256255-7	PIN 3	1	PC.
				WASHER (SHIM) F/CUTTING STAINLESS STEEL (See Instruction Manual Pg. 5)	2	PC.
100			341796-7			
D01			652008-6	PAN HEAD SCREW M3.5X7	2	PC.
D02			652257-5	CLAMP WASHER	2	PC.
D03			654037-5	INSULATED TERM. FT1.25-M3	2	PC.
D05			654509-0	CONNECTOR 2-SD	1	PC.
<u>ACCESSORIES</u>						
A02			781019-5	WRENCH 50	1	PC.
A03			783201-2	HEX. WRENCH 3	1	PC.
		INC.	453974-8	LOCKING LATCH	2	PC.
		INC.	453974-8	LOCKING LATCH	2	PC.

Item No	Type	Ref	Part No	Description	Qty	Unit
A04	3		197211-7	INTERLOCKING TOOL CASE M	1	PC.
		INC.	453974-8	LOCKING LATCH	4	PC.
A05	1		837630-2	INNER TRAY F/CARRYING CASE #821550-0	1	PC.
	2		T-02571	FOAM INSERT F/INTERLOCK CASE	2	PC.
A06			800V77-5	JN3201J PLASTIC CASE LABEL	2	PC.
A07			800V76-7	JN3201J INDICATION LABEL F/ CARRYING CASE	1	PC.
A08			792292-2	DIE	1	PC.
A09			792728-1	PUNCH	1	PC.