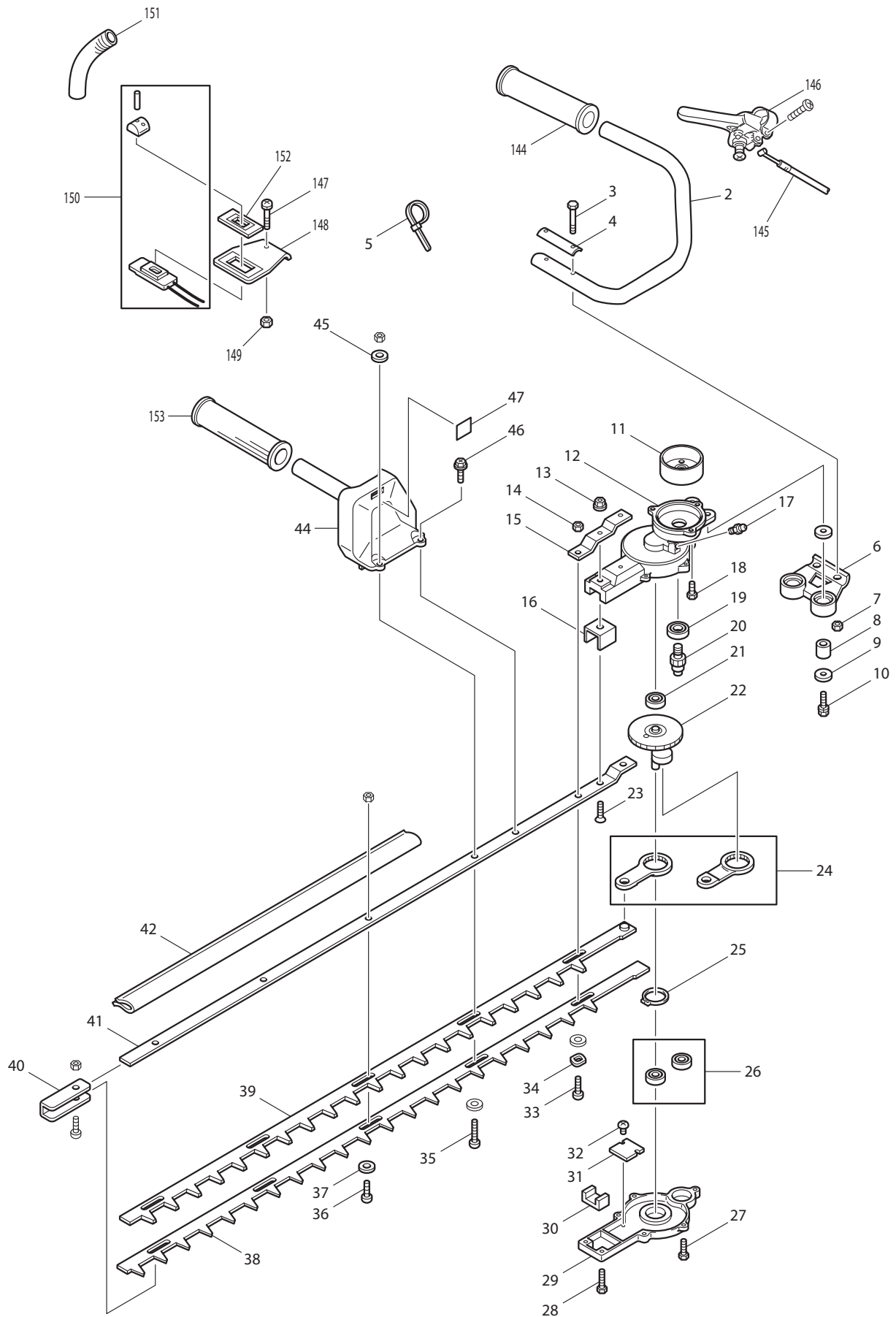
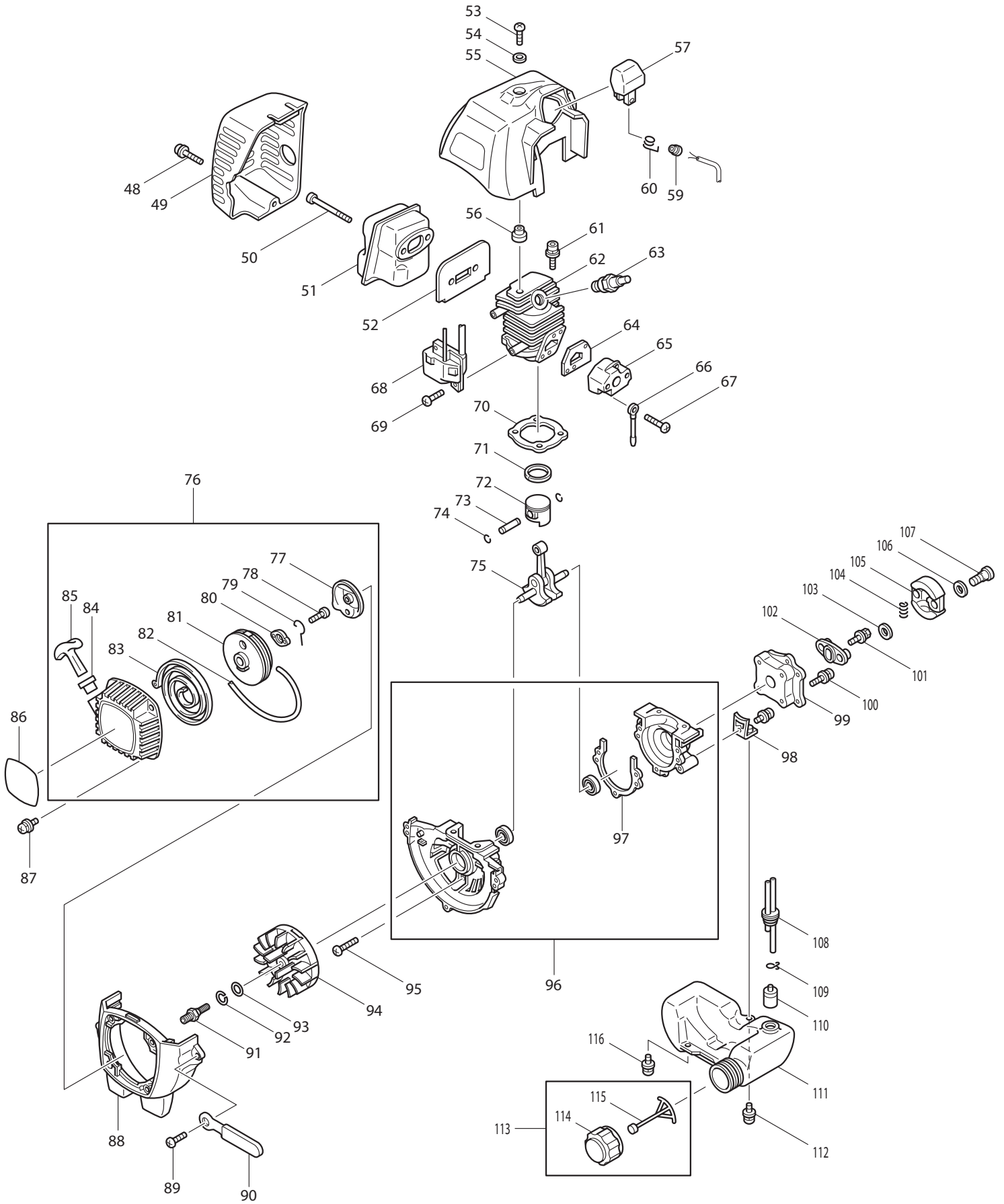
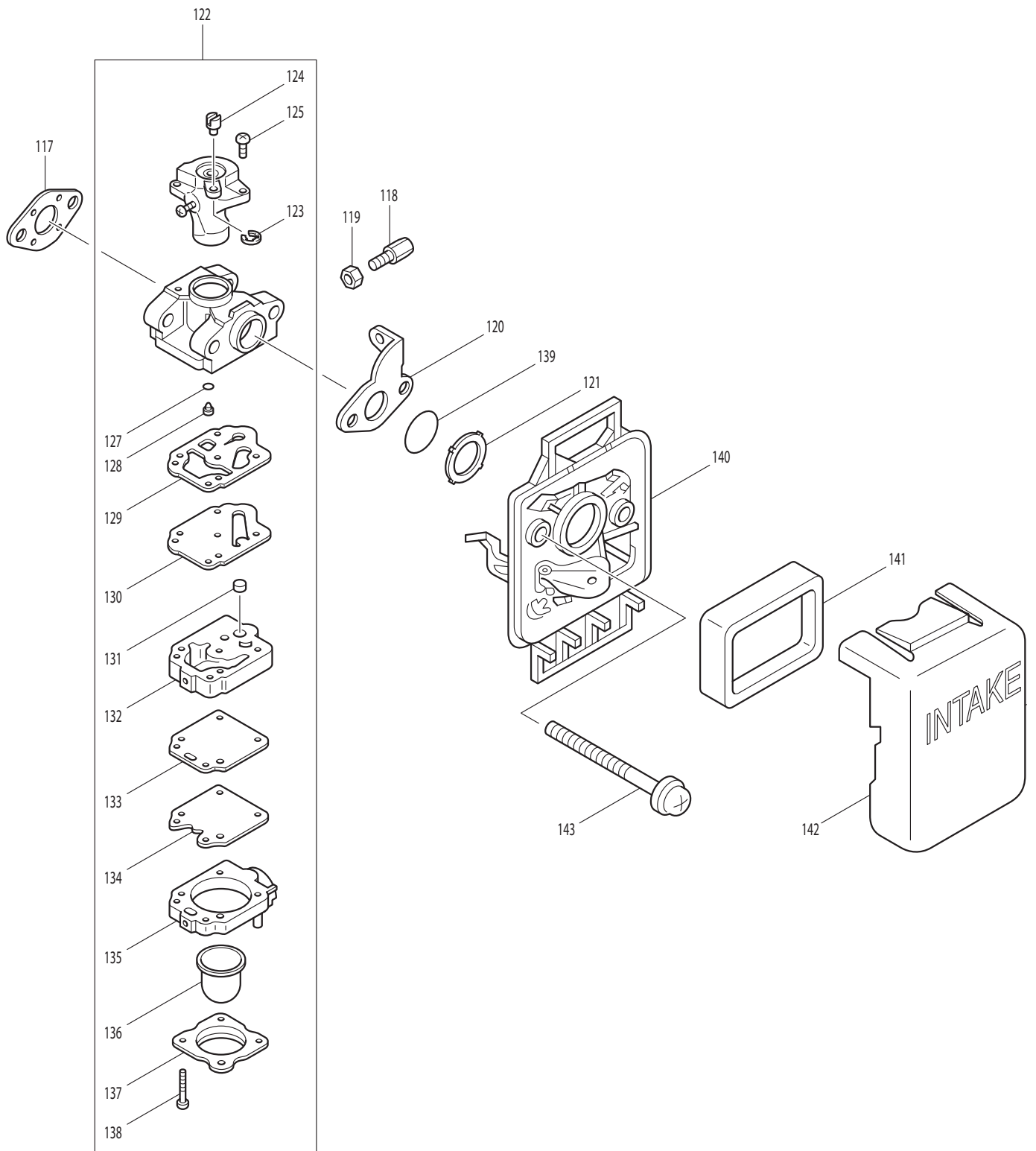




03 - 2010
HTR7610
24.5CC HEDGE TRIMMER 30" (SGL)







Item No.	Type	Sub	Part No.	Description	Qty	Unit
2			1361620000	HANDLE (LEFT)	1	PC.
	1		L040050283	BOLT M5X28	2	PC.
3	2		040050283L	HEX BOLT M5X28	2	PC.
4			1361030000	HANDLE FITTING	1	PC.
5	1		0035002100	CORD BINDER	2	PC.
	2		035002100R	CLIP (CV-150)	2	PC.
6			1361000000	HANDLE HOLDER	1	PC.
7	1		0150050000	NUT M5	2	PC.
	2		150050000K	HEX NUT M5	2	PC.
8			0732090000	COLLAR	2	PC.
	2		207060231K	WASHER 6X22X2.3	4	PC.
10	1		0054060250	BOLT M6X25	2	PC.
	2		054060250K	BOLT M6X25 W/SW	2	PC.
11			1361410000	DRUM COMPLETE	1	PC.
12	1		0326100002	UPPER CASE	1	PC.
	2		326100002A	UPPER CRANKCASE	1	PC.
13	1		0162050000	FLANGE NUT M5	2	PC.
	2		162050000K	FLANGE NUT M5	2	PC.
14	1		0164060000	U-NUT M6	5	PC.
	2		164060000K	HEX. U-NUT M6	5	PC.
15			0325102004	PLATE	1	PC.
16			0325103004	PLATE	1	PC.
17	1		0055000100	GREASE NIPPLE M6	1	PC.
	2		055000100R	GREASE NIPPLE	1	PC.
18	1		0054060160	BOLT M6X16	3	PC.
	2		054060160K	+HEX BOLT M6X16 W/WG	3	PC.
19	1		0354060010	BALL BEARING UU 6001	1	PC.
	2		354060010K	BALL BEARING 6001 2RS	1	PC.
20			1361420000	PINION GEAR	1	PC.
21	1		0353006080	BALL BEARING ZZ 608	1	PC.
	2		353006080K	BALL BEARING 608 ZZ	1	PC.
22			1360030000	GEAR CRANK ASS'Y	1	PC.
23	1		0011050205	SCREW M5X20	2	PC.
	2		011050205K	SCREW M5X20	2	PC.
24	1		TE1A044000	ROD - N/L/A	2	PC.
	2		1A044000TE	ROD	2	PC.
	3		XOC0000018	ROD	2	PC.
25	1		0283026000	SNAP RING	1	PC.
	2		283026000K	RETAINING RING STW 26	1	PC.
26	1		0353006080	BALL BEARING ZZ 608	2	PC.
	2		353006080K	BALL BEARING 608 ZZ	2	PC.
27	1		0054050160	BOLT M5X16(WSW)	5	PC.
	2		054050160K	+HEX BOLT M5X16	5	PC.
28	1		0054050160	BOLT M5X16(WSW)	2	PC.
	2		054050160K	+HEX BOLT M5X16	2	PC.
29			0325101002	LOWER CASE	1	PC.
30			0325104004	FELT	1	PC.
31			0301100000	ROD SLIDING PLATE	1	PC.
32	1		0010030050	SCREW M3X5	2	PC.
	2		010030050K	PAN HEAD SCREW M3X5	2	PC.
33	1		0040003009	SCREW M6X22	2	PC.
	2		040003009A	SCREW M6X22	2	PC.
34	1		0229060000	WAVE WASHER	1	PC.
	2		229060000K	WAVE WASHER	1	PC.
35	1		0040004009	SCREW	1	PC.
	2		040004009A	BLADE SLIDE SCREW	1	PC.
36	1		0040002009	SCREW L=19	2	PC.
	2		040002009A	BLADE SLIDE SCREW L19	2	PC.
37			0082500000	BLADE SLIDING WASHER	4	PC.
38			6018505301	BLADE (LOWER)	1	PC.
39			6018505200	BLADE (UPPER)	1	PC.
40			0271450000	END REINFORCER	1	PC.

Item No.	Type	Sub	Part No.	Description	Qty	Unit
41			1361160000	GUIDE PLATE	1	PC.
42	1		0028109009	BLADE COVER	1	PC.
	2		028109009A	BLADE COVER	1	PC.
44			1361900000	HANDLE (RIGHT)	1	PC.
45	1		0207060104	WASHER M6	1	PC.
	2		207060104A	WASHER M6	1	PC.
46			0055060181	BOLT M6X18	1	PC.
47			6609508600	CAUTION LABEL	1	PC.
48			0140059290	SCREW ASSY	1	PC.
49			5253500500	MUFFLER COVER	1	PC.
50	1		0119059550	SOCKET HEAD BOLT	2	PC.
	2		266754-1	SOCKET HEAD BOLT	2	PC.
51			5253071000	EXHAUST MUFFLER	1	PC.
52			5253500102	MUFFLER GASKET	1	PC.
53			0140059490	SCREW	1	PC.
54			020-00700-10	WASHER	1	PC.
55			5255500301	CYLINDER COVER (MAKITA COLOR)	1	PC.
56			5503503001	SPACER	1	PC.
57			5237503301	PLUG CAP	1	PC.
59	1		5257500300	GROMMET	1	PC.
	2		424313-9	GROMMET	1	PC.
60	1		0654009931	PLUG CAP SPRING - N/L/A	1	PC.
	2		324891-8	PLUG CAP SPRING	1	PC.
61	1		0119059730	SOCKET HEAD BOLT M5X20	2	PC.
	2		266814-9	HEX SOCKET HEAD BOLT M5X20	2	PC.
62	1		5251500201	CYLINDER	1	PC.
	2		5231501804	CYLINDER	1	PC.
	3		318762-9	CYLINDER	1	PC.
63			168663-9	SPARK PLUG(BM7A)	1	PC.
			168662-1	SPARK PLUG(BMR7A)	1	PC.
64			5253500200	INSULATOR GASKET	1	PC.
65	1		5233014000	INSULATOR COMPL.	1	PC.
	2		141056-5	INSULATOR COMPLETE	1	PC.
66	1		6165500201	WIRE	1	PC.
	2		638784-6	WIRE	1	PC.
67	1		0140059500	SCREW M5X25	2	PC.
	2		266700-4	PAN HEAD SCREW M5X25	2	PC.
68			5257001021	COIL	1	PC.
69			0140049920	SCREW ASS'Y M4X20	2	PC.
70	1		5231502304	CYLINDER GASKET	1	PC.
	2		442171-1	CYLINDER GASKET	1	PC.
71	1		5242500701	PISTON RING	1	PC.
	2		257979-8	PISTON RING	1	PC.
72			5232501902	PISTON	1	PC.
73	1		5232502600	PISTON PIN	1	PC.
	2		257781-9	PISTON PIN	1	PC.
74	1		0565089970	CLIP	2	PC.
	2		233976-8	CLIP	2	PC.
75	1		5252002001	CRANKSHAFT COMPLETE	1	PC.
	2		5252002002	CRANKSHAFT COMPLETE	1	PC.
76			5255052000	REWIND STARTER	1	PC.
		INC.		Item No.77-85		
77			5255505900	PULLY	1	PC.
78	1		5195002060	SET SCREW	1	PC.
	2		266585-8	TAPPING SCREW 5X12	1	PC.
79	1		5195002100	SWING ARM	1	PC.
	2		325923-4	SWING ARM	1	PC.
80	1		5195002110	COLLAR	1	PC.
	2		451938-6	COLLAR	1	PC.
81	1		5195002030	REEL	1	PC.
	2		452972-9	REEL	1	PC.

Item No.	Type	Sub	Part No.	Description	Qty	Unit
82	1		5255016020	STARTER ROPE	1	PC.
	2		444024-0	STARTER ROPE	1	PC.
83	1		5195002050	SPIRAL SPRING	1	PC.
	2		234220-6	SPIRAL SPRING	1	PC.
84	1		5255001040	DAMPER	1	PC.
	2		424359-5	DAMPER	1	PC.
85	1		5225004020	HANDLE	1	PC.
	2		424319-7	STARTER KNOB	1	PC.
86			6019509100	MODEL LABEL	1	PC.
87			0140049760	SCREW ASSEMBLY	4	PC.
88			5255505700	BLOWER HOUSING	1	PC.
89	1		0140059350	SCREW ASS'Y M5X18(WSW)	3	PC.
	2		266699-3	PAN HEAD SCREW M5X18	3	PC.
90	1		0566059980	CLAMP	1	PC.
	2		345963-6	CLAMP	1	PC.
91			5257501400	BOLT	1	PC.
92			003-20060-00	SPRING WASHER	1	PC.
93			0031206000	WASHER	1	PC.
94			5257041010	FLYWHEEL	1	PC.
95	1		0140059520	SCREW M5X25	3	PC.
	2		266701-2	PAN HEAD SCREW M5X25	3	PC.
96			5251003000	CRANKCASE COMPLETE	1	PC.
		INC.	213628-7	OIL SEAL	2	PC.
		INC.	0600129920	BALL BEARING	2	PC.
		INC.		Item No.97		
97	1		5231502202	CRANKCASE GASKET	1	PC.
	2		424447-8	CRANK CASE GASKET	1	PC.
98			5256002000	TANK PLATE COMPLETE	1	PC.
99	1		1181240000	SPACER	1	PC.
	2		318892-6	SPACER	1	PC.
100	1		0140059350	SCREW ASS'Y M5X18(WSW)	4	PC.
	2		266699-3	PAN HEAD SCREW M5X18	4	PC.
101	2		5235504700	BOLT ASS'Y	1	PC.
	3		266703-8	HEX. HEAD BOLT M6X14	1	PC.
102			6202500000	HOLDER	1	PC.
103	1		6202500600	WASHER	2	PC.
	2		267429-5	FLAT WASHER 6	2	PC.
104			5238500500	CLUTCH SPRING	1	PC.
105			6252500801	CLUTCH SHOE	2	PC.
106	1		0200089911	WASHER M8	2	PC.
	2		267817-6	WASHER 8	2	PC.
107	1		6252500400	CLUTCH BOLT	2	PC.
	2		266457-7	SHOULDER HEX. BOLT M6X25	2	PC.
108			5256012001	TUBE ASS'Y	1	PC.
109	1		0561059990	HOSE CLAMP	1	PC.
	2		345920-4	HOSE CLAMP	1	PC.
110	1		5236503900	FILTER	1	PC.
	3		163447-0	FUEL FILTER	1	PC.
111			5256025000	FUEL TANK COMPLETE	1	PC.
112			0140059290	SCREW ASSY	2	PC.
113	1		5256059000	FUEL TANK CAP COMPLETE	1	PC.
		INC.		Item No. 114115		
	2		168668-9	FUEL TANK CAP COMPLETE	1	PC.
		INC.		Item No. 114115		
114	1		5256058000	FUEL TANK CAP	1	PC.
	2		452920-8	FUEL TANK CAP	1	PC.
115	1		5256067000	STRAP	1	PC.
	2		140436-2	STRAP COMPLETE	1	PC.
116			0150059800	TAPPING SCREW M5X18	2	PC.
117	2		442177-9	GASKET (OLD 5256501200)	1	PC.
118	1		5316020020	CABLE ADJUST SCREW	1	PC.
	2		326084-3	CABLE ADJUST SCREW M6X13	1	PC.

Item No.	Type	Sub	Part No.	Description	Qty	Unit
119	1		5316005450	CABLE ADJUST NUT	1	PC.
	2		264065-8	CABLE ADJUST NUT M6	1	PC.
120			5256500100	CABLE BRACKET	1	PC.
121			5256501200	GASKET	1	PC.
122			5256008000	CARBURETOR	1	PC.
		INC.		Item No.123-125127-138		
123	1		5316005120	RING	1	PC.
	2		257964-1	STOP RING E-3	1	PC.
124	1		5236018040	SWIVEL	1	PC.
	2		325922-6	SWIVEL	1	PC.
125	1		5206008030	PAN HEAD SCREW	2	PC.
	2		266581-6	PAN HEAD SCREW M3X8 WITH W	2	PC.
	3		WJ00096364	SCREW M3X8 WITH WASHER	2	PC.
127	1		5246001010	O RING	1	PC.
	2		213538-8	O RING 2	1	PC.
128	1		5026004010	JET	1	PC.
	2		326085-1	JET	1	PC.
129	1		5246001030	PUMP GASKET	1	PC.
	2		442172-9	PUMP GASKET	1	PC.
130	1		5246001040	PUMP DIAPHRAGM	1	PC.
	2		168575-6	PUMP DIAPHRAGM	1	PC.
	3		WJ00009599	PUMP DIAPHRAGM	1	PC.
131	1		5016004010	INLET SCREEN	1	PC.
	2		352010-6	INLET SCREEN	1	PC.
132			5256007010	PUMP BODY ASS'Y	1	PC.
133	1		5236046040	METERING DIAPHRAGM GASKET	1	PC.
	2		442154-1	METERING DIAPHRAGM GASKET	1	PC.
134	1		5316005250	METERING DIAPHRAGM ASS'Y	1	PC.
	2		168767-7	METERING DIAPHRAGM	1	PC.
135	1		5236046060	AIR PURGE BODY ASSEMBLY	1	PC.
	2		140988-3	AIR PURGE BODY ASSEMBLY	1	PC.
136	1		5246001150	PRIMER PUMP	1	PC.
	2		424314-7	PRIMER PUMP	1	PC.
137	1		5236046050	PRIMER PUMP COVER	1	PC.
	2		346270-0	PRIMER PUMP COVER	1	PC.
138	1		5236046010	PUMP COVER SCREW	4	PC.
	2		266582-4	TAPPING SCREW 3X24	4	PC.
139			5236061000	O RING	1	PC.
140			5253004010	AIR CLEANER HOUSING	1	PC.
141			5203004010	AIR FILTER	1	PC.
142			5203004030	AIR CLEANER COVER	1	PC.
143			0043305650	SCREW ASS'Y	2	PC.
144			0083450000	GRIP	1	PC.
145			0630049900	CONTROL CABLE	1	PC.
146			6255004000	CONTROL LEVER	1	PC.
147			010050250K	SCREW M5X25(W/SW)	1	PC.
148			1361150000	SWITCH STAY	1	PC.
149			150050000K	NUT M5	1	PC.
150			0083730000	SWITCH ASS'Y	1	PC.
151			013070010A	TUBE	1	PC.
152			052145004A	LABEL	1	PC.
153			0083450000	GRIP	1	PC.
154	1		286115001A	* BLADE GUARD (Added)	1	PC.
	2		XOC0000031	* BLADE GUARD	1	PC.

ACCESSORIES

- See Catalogue or visit www.makita.ca for more accessories -

A01			5019001000	ACCESSORY TOOL KIT	1	PC.
-----	--	--	------------	--------------------	---	-----

SERVICE CHANGES

1. Changes on Blade Guard

(TI#A3363)

Item No.	Description	Type 1	Type 2
154	Blade Guard	286115001A	XOC0000031

Type 1

Type 2

