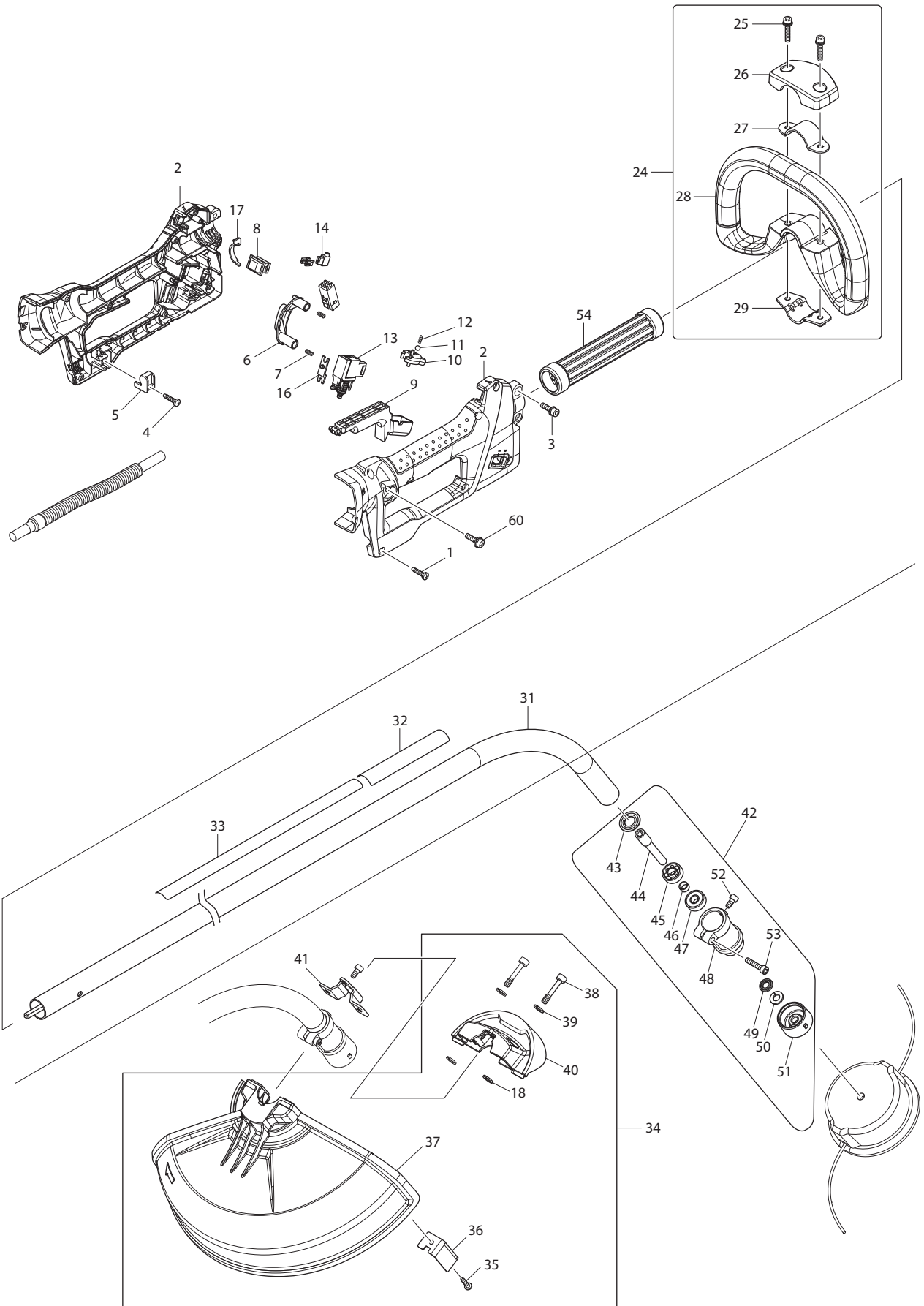
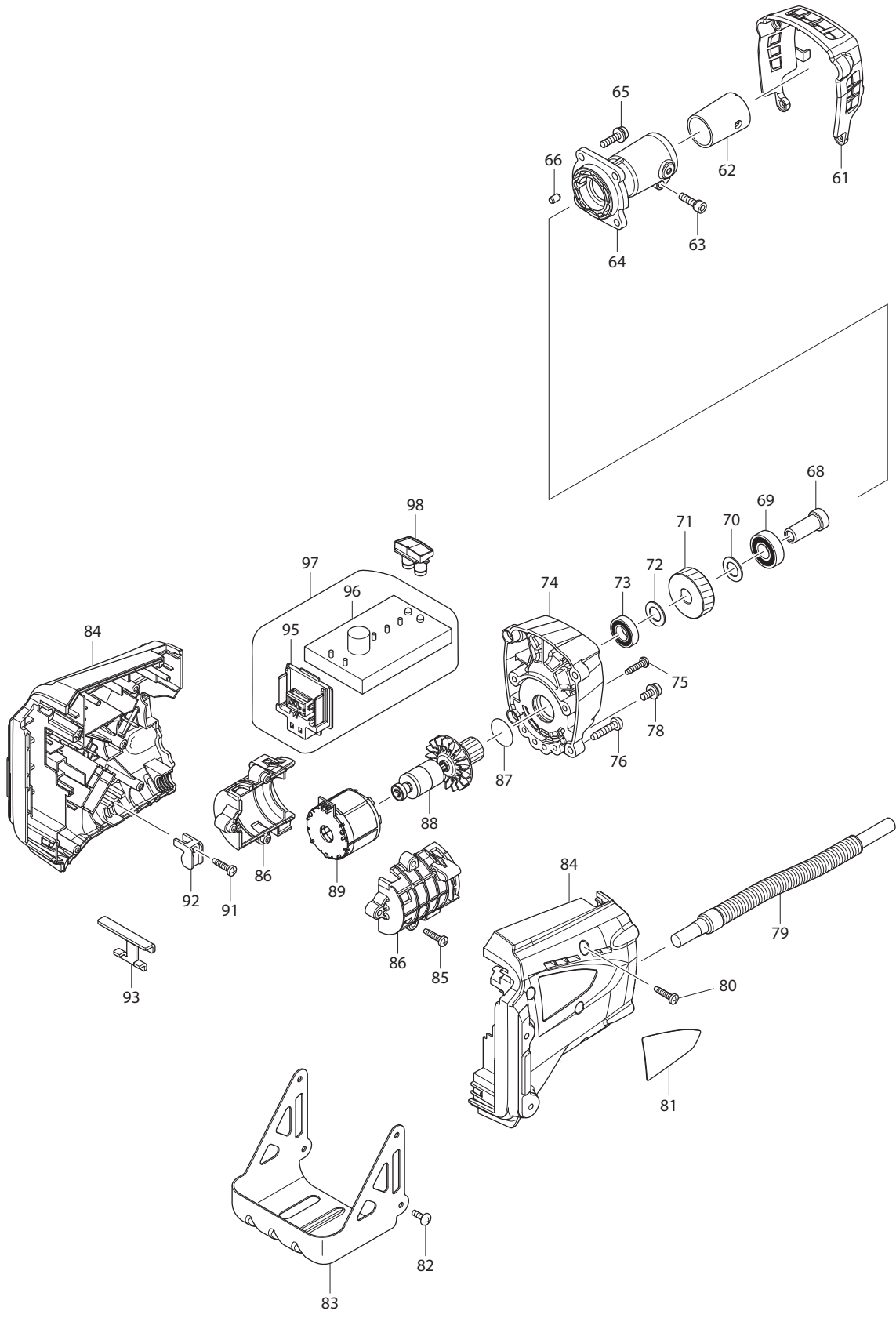




12 - 2013
HRU01ZX2
36V LINE TRIMMER CURVED SHAFT
W/BATTERY CONVERTER





Item No.	Type	Sub	Part No.	Description	Qty	Unit
1			265995-6	TAPPING SCREW 4X18	8	PC.
2			187371-3	GRIP SET	1	PC.
3			922228-9	H.S.H.BOLT M5X18 WITH WR	1	PC.
4			265995-6	TAPPING SCREW 4X18	1	PC.
5			687261-5	STRAIN RELIEF	1	PC.
6			451983-1	LOCK OFF BUTTON	1	PC.
7			233054-4	COMPRESSION SPRING 4	2	PC.
8			651533-4	SWITCH SLE6A2-33	1	PC.
9			451984-9	SWITCH LEVER	1	PC.
10			451986-5	INDICATOR	1	PC.
11			216018-3	STEEL BALL 5.0	1	PC.
12			233211-4	COMPRESSION SPRING 2	1	PC.
13			650630-3	SWITCH TGR3-3	1	PC.
14			686015-7	RECEPTACLE SLEEVE	1	PC.
16			451982-3	LINK PLATE	1	PC.
17			451985-7	LEAD COVER	1	PC.
18			942151-2	SPRING WASHER 6	2	PC.
24			195626-2	LOOP HANDLE SET	1	PC.
		INC.		Item No. 25-29		
25			922243-3	HEX. SOCKET HEAD BOLT M5X25	2	PC.
26			452843-0	CLAMP COVER B	1	PC.
27			346468-9	CLAMP 33	1	PC.
28			452841-4	LOOP HANDLE	1	PC.
29			346467-1	CLAMP 24	1	PC.
31			141681-2	BENT PIPE COMPLETE	1	PC.
		INC.	259025-3	PUSH NUT 6	1	PC.
		INC.	326193-8	FLEXIBLE SHAFT	1	PC.
		INC.		Item No. 32,33		
32			819312-8	MAKITA LOGO LABEL	1	PC.
33			800A40-2	CAUTION LABEL FR/SP	1	PC.
34			195959-5	PROTECTOR SET	1	PC.
		INC.		Item No. 18,35-40		
35			265995-6	TAPPING SCREW 4X18	1	PC.
36			346618-6	CUTTER	1	PC.
37			453775-4	PROTECTOR	1	PC.
38			266579-3	HEX SOCKET HEAD BOLT M6X30	2	PC.
39			413143-3	WASHER	2	PC.
40			453776-2	PROTECTOR COVER	1	PC.
41			346617-8	PROTECTOR CLAMP	1	PC.
42	1		141013-3	HEAD CASE COMPLETE	1	PC.
		INC.		Item No. 43-53		
42	2		141894-5	HEAD CASE COMPLETE	1	PC.
		INC.		Item No. 43-51, 53		
43			267845-1	BEARING WASHER	1	PC.
44			326195-4	CUTTER SHAFT	1	PC.
45			211368-1	BALL BEARING 608ZZ	1	PC.
46			257335-2	COLLAR	1	PC.
47			211367-3	BALL BEARING 608DDW	1	PC.
48			318900-3	HEAD CASE	1	PC.
49			267844-3	WASHER	1	PC.
50			267846-9	SPRING WASHER M8	1	PC.
51			318901-1	CUTTER HOLDER	1	PC.
52			922207-7	HEX. SOCKET HEAD BOLT M5X10	1	PC.
53			922242-5	HEX. SOCKET HEAD BOLT M5X25	1	PC.
54			450659-7	SPACER	1	PC.
60			911233-1	PAN HEAD SCREW M5X20	1	PC.
61			451981-5	GEAR BOX COVER	1	PC.
62			424307-4	PIPE RUBBER	1	PC.
63			922231-0	HEX. SOCKET HEAD BOLT M5X20	1	PC.
64			318560-1	PIPE BRACKET	1	PC.
65			911233-1	PAN HEAD SCREW M5X20	4	PC.
66			263002-9	RUBBER PIN 4	1	PC.

Item No.	Type	Sub	Part No.	Description	Qty	Unit
68			326190-4	SPINDLE HUB	1	PC.
69			211148-5	BALL BEARING 6001ZZ	1	PC.
70			253744-3	FLAT WASHER 12	1	PC.
71			227720-3	HELICAL GEAR 33	1	PC.
72			253744-3	FLAT WASHER 12	1	PC.
73			211150-8	BALL BEARING 6901ZZ	1	PC.
74			318559-6	GEAR BOX	1	PC.
75			265995-6	TAPPING SCREW 4X18	4	PC.
76			266041-8	TAPPING SCREW 5X25	4	PC.
78			911213-7	PAN HEAD SCREW M5X12	2	PC.
79			699047-5	POWER SUPPLY CORD UNIT	1	PC.
80			265995-6	TAPPING SCREW 4X18	5	PC.
81			897369-9	NAME PLATE F/HRU01	1	PC.
82			251314-2	+ SCREW M4X12	4	PC.
83			346194-0	BATTERY GUARD	1	PC.
84		1	188836-8	* HOUSING SET	1	PC.
		2	183A74-3	* HOUSING SET	1	PC.
		3	183C17-7	* HOUSING SET	1	PC.
85			265995-6	TAPPING SCREW 4X18	3	PC.
86			188838-4	MOTOR HOUSING SET	1	PC.
87			213961-7	O RING 22	1	PC.
88			619254-4	ROTOR	1	PC.
89			629958-0	STATOR	1	PC.
91			265995-6	TAPPING SCREW 4X18	1	PC.
92			687261-5	STRAIN RELIEF	1	PC.
93			346039-2	SUPPORT PLATE	1	PC.
95			643849-1	TERMINAL	1	PC.
96		1	631942-3	* CONTROLLER (W/O FUSE)	1	PC.
		2	620018-1	* CONTROLLER (W/FUSE *Fuse is N/A individually)	1	PC.
		3	620498-1	* CONTROLLER (W/FUSE *Fuse is N/A individually)	1	PC.
97		1	631941-5	* CONTROLLER COMPLETE (W/O FUSE)	1	PC.
		INC.		* Item No. 95,96		
		2	620019-9	* CONTROLLER COMPLETE (W/FUSE *Fuse is N/A individually)	1	PC.
		INC.		* Item No. 95,96		
98			140285-7	INDICATION PLATE COMPLETE	1	PC.
99			256530-1	PIN 4 (F/ BUMP & FEED 4, Item No. A01)	1	PC.
C01			873524-7	CARTON F/HRU01ZX2	1	PC.

ACCESSORIES

A01			195961-8	BUMP & FEED 4 M8X1.25 RH - See Parts Breakdown #195961-8	1	PC.
A02			197472-9	NYLON CORD 2.0-15M	1	PC.
A03			783202-0	HEX. WRENCH 4	1	PC.
A04			783217-7	HEX. WRENCH 5	1	PC.
A05			831304-7	ACCESSORY BAG	1	PC.
A06		1	195850-7	BATTERY CONVERTER BCV02	1	PC.
		2	196810-2	BATTERY CONVERTER BCV03	1	PC.
A07			194874-0	36V LI-ION BATTERY BL3626	1	PC.
A08			DC36RA	CHARGER DC36RA	1	PC.

SERVICE CHANGES

1. Changes on Cushion and Housing set and Controller complete

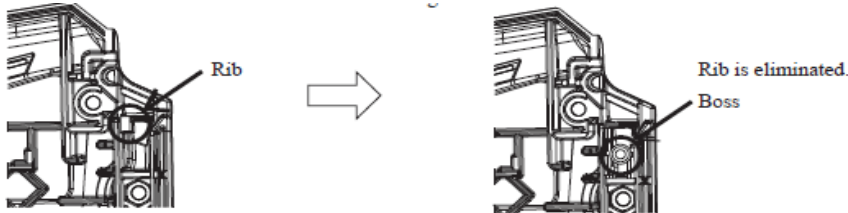
(TI#A7479,88632)

(TI#B0032)

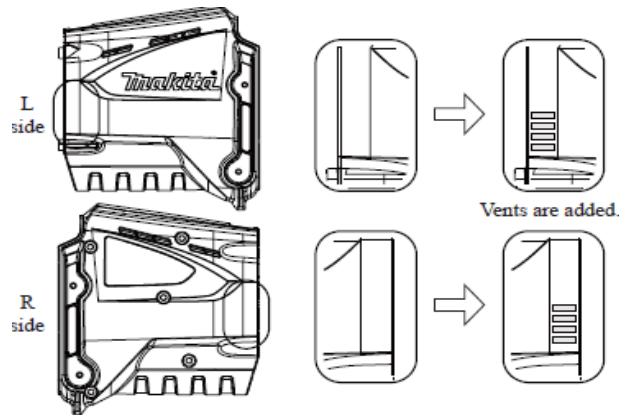
Item No.	Description	Type 1	Type 2	Type 3
84	Housing Set	188836-8	183A74-3	183C17-7
96	Controller	631942-3	620018-1	620498-1
95	Terminal	643849-1		
97	Controller Complete	631941-5	620019-9	620499-9 (N/A)

Type 2 => Type 3 Item no. 84, 96 are completely interchangeable as a set
 Item no. 97 = Item no. 95+96

Housing Type 1 => Type 2



Housing Type 2 => Type 3



Controller Type 1 => Type 2

***Change without Fuse to with Fuse, Fuse is not available individually

The fuse has to be put in space designated in the following figure.

