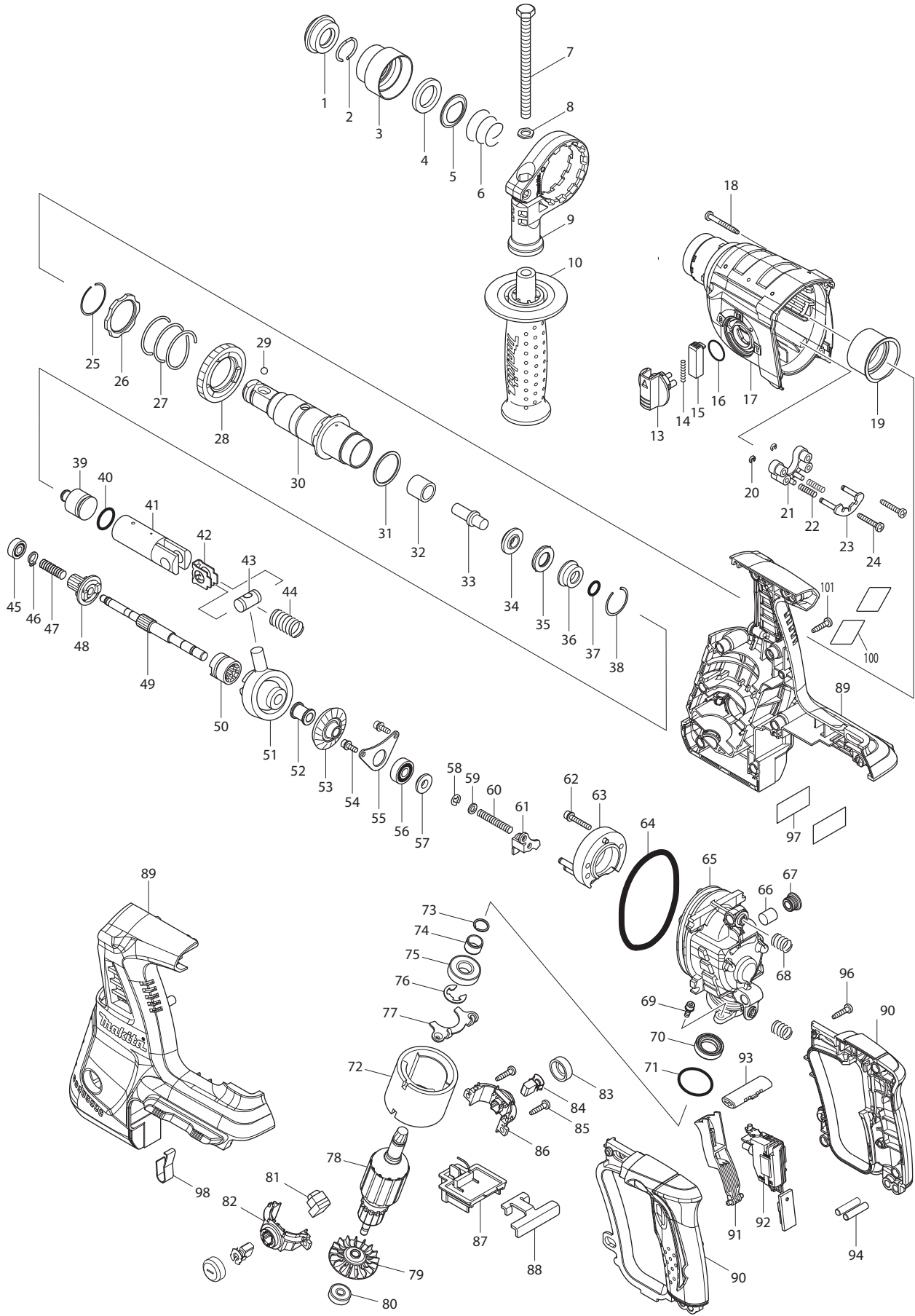




02 - 2012
HRH01 / HRH01ZX2
36V 3-MODE HAMMER DRILL



Item No.	Type	Sub	Part No.	Description	Qty	Unit
1			286263-4	CAP 35	1	PC.
2			233940-9	RING SPRING 19	1	PC.
3			417629-9	CHUCK COVER	1	PC.
4			257241-1	RING 21	1	PC.
5			345187-4	GUIDE WASHER	1	PC.
6			233916-6	CONICAL COMP. SPRING 21-29	1	PC.
7			921923-8	HEX. BOLT M8X120	1	PC.
8			345280-4	HEX. WASHER	1	PC.
9			417630-4	GRIP BASE	1	PC.
10			158057-6	GRIP 36 COMPLETE	1	PC.
13			450980-4	CHANGE LEVER	1	PC.
14			233279-0	COMPRESSION SPRING 4	1	PC.
15			453706-3	LOCK BUTTON	1	PC.
16			213278-8	O RING 17	1	PC.
17			141699-3	GEAR HOUSING COMPLETE	1	PC.
		INC.	213345-9	OIL SEAL 25	1	PC.
		INC.	800C32-3	CAUTION LABEL	1	PC.
18			266351-3	TAPPING SCREW 4X35	4	PC.
19			153290-5	NEEDLE BEARING COMPLETE	1	PC.
20			961017-7	STOP RING E-3	2	PC.
21			417796-0	GUIDE BASE	1	PC.
22			233344-5	COMPRESSION SPRING 4	2	PC.
23			163430-7	LOCK PLATE COMPLETE	1	PC.
24			266374-1	TAPPING SCREW 4X25	2	PC.
25			233929-7	RING SPRING 29	1	PC.
26			267460-1	WASHER 31	1	
27			233401-9	COMPRESSION SPRING 32	1	PC.
28			227109-5	SPUR GEAR 51	1	PC.
29			216022-2	STEEL BALL 7.0	1	PC.
30			158574-6	TOOL HOLDER COMPLETE	1	PC.
31			267229-3	FLAT WASHER 28	1	PC.
32			331769-8	SLEEVE 9	1	PC.
33			324669-9	IMPACT BOLT	1	PC.
34			324402-9	RING 10	1	PC.
35			421955-0	CUSHION RING 13	1	PC.
36			324216-6	O RING CASE	1	PC.
37			213073-6	O RING 9	1	PC.
38			233917-4	RING SPRING 28	1	PC.
39			324214-0	STRIKER	1	PC.
40			213227-5	O RING 16	1	PC.
41			318132-2	PISTON CYLINDER	1	PC.
42			346036-8	GUIDE PLATE	1	PC.
43			324215-8	PISTON JOINT	1	PC.
44			234098-7	COMPRESSION SPRING 14	1	PC.
45			211012-0	BALL BEARING 606ZZ	1	PC.
46			961003-8	RETAINING RING S-7	1	PC.
47			233343-7	COMPRESSION SPRING 7	1	PC.
48			227179-4	SPUR GEAR 10	1	PC.
49			325976-3	CAM SHAFT	1	PC.
50			331992-5	CLUTCH CAM	1	PC.
51			219014-0	SWASH BEARING 10	1	PC.
52			325640-6	SLEEVE 9	1	PC.
53			227549-7	SPIRAL BEVEL GEAR 26	1	PC.
54			266273-7	HEX. SOCKET HEAD BOLT M4X12	2	PC.
55			346038-4	BEARING RETAINER B	1	PC.
56			211032-4	BALL BEARING 608ZZ	1	PC.
57			324212-4	RING 8	1	PC.
58			961011-9	STOP RING E-4	1	PC.
59			941102-2	FLAT WASHER 5	1	PC.

Item No.	Type	Sub	Part No.	Description	Qty	Unit
60			233342-9	COMPRESSION SPRING 6	1	PC.
61			345220-2	CHANGE PLATE	1	PC.
62			922148-7	HEX. SOCKET HEAD BOLT M4X25	2	PC.
63			158944-9	INNER SUPPORT COMPLETE	1	PC.
64			213728-3	O-RING 68	1	PC.
65			318392-6	INNER HOUSING	1	PC.
66			443143-9	FILTER	1	PC.
67			424185-2	CAP	1	PC.
68			234097-9	COMPRESSION SPRING 10	2	PC.
69			266273-7	HEX. SOCKET HEAD BOLT M4X12	2	PC.
70			213231-4	OIL SEAL 15	1	PC.
71			213437-4	O RING 28	1	PC.
72			632828-4	YOKE UNIT	1	PC.
73			961082-6	RETAINING RING WR12	1	PC.
74			331596-3	SLEEVE 12	1	PC.
75			211131-2	BALL BEARING 6001DDW	1	PC.
76			961016-9	STOP RING E-10	1	PC.
77			346037-6	BEARING RETAINER A	1	PC.
78			519235-7	ARMATURE ASS'Y 36V	1	PC.
		INC.		Item No. 73-76,79,80		
79			240037-7	FAN 44	1	PC.
80			210022-4	BALL BEARING 626DDW	1	PC.
81			631850-8	LIGHT CIRCUIT	1	PC.
82			638660-4	BRUSH HOLDER	1	PC.
83			643829-7	HOLDER CAP	2	PC.
84			195023-2	CARBON BRUSH CB-442 2PC/SET (W/ORIGIN)	1	SET
85			266326-2	TAPPING SCREW 4X18	2	PC.
86			638661-2	BRUSH HOLDER	1	PC.
87			638978-3	TERMINAL UNIT	1	PC.
88			346039-2	SUPPORT PLATE	1	PC.
89			187231-9	HOUSING SET	1	PC.
		INC.	263005-3	RUBBER PIN 6	4	PC.
		INC.	263025-7	RUBBER PIN 4	4	PC.
90			188639-0	HANDLE SET	1	SET
		INC.		Item No. 95		
91			450981-2	SWITCH LEVER	1	PC.
92			650619-1	SWITCH, TRIGGER C3HZ-2A-PBLM	1	PC.
93			450979-9	F/R CHANGE LEVER	1	PC.
94			256261-2	PIN 6	2	PC.
96			266326-2	TAPPING SCREW 4X18	4	PC.
98			344903-1	VIBRATION ISOLATOR PLATE	1	PC.
100			897491-2	NAME PLATE F/HRH01	1	PC.
101			266326-2	TAPPING SCREW 4X18	9	PC.
C01			873882-1	CARTON F/ HRH01ZX2	1	PC.
D01			654281-4	RECEPTACLE	2	PC.
<u>ACCESSORIES</u>				- See catalogue or visit www.makita.ca for more optional accessories -		
A01			194683-7	GREASE VESSEL SET, 100CC (BIT GREASE)	1	PC.
A02			324219-0	DEPTH GAUGE	1	PC.
A03			443122-7	CLOTH	1	PC.
A04			194874-0	36V LI-ION BATTERY BL3626	1	PC.
A05			451153-2	BATTERY COVER	1	PC.
A06			DC36RA	CHARGER DC36RA	1	PC.
A07			141407-2	PLASTIC CARRYING CASE COM (HRH01)	1	PC.
		INC.	162271-8	LATCH	2	PC.
		INC.	325636-7	SHAFT	1	PC.
		INC.	450990-1	HANDLE	1	PC.
A07A			831271-6	TOOL BAG (HRH01ZX2)	1	PC.

Item No.	Type	Sub	Part No.	Description	Qty	Unit
A08	1		195850-7	18V to 36V BATTERY CONVERTER BCV02 (HRH01ZX2)	1	PC.
	2		196810-2	18V to 36V BATTERY CONVERTER BCV03 (HRH01ZX2)	1	PC.
A09			D-14093	CHUCK ADAPTER (SDS-PLUS)	1	PC.
A10			122574-2	DRILL CHUCK ASS'Y	1	PC.
		INC.	192877-8	DRILL CHUCK S13	1	PC.
		INC.	751106-4	CHUCK ADAPTER	1	PC.
		INC.	251425-3	- FLAT HEAD SCREW M6X22	1	PC.
A11			763432-9	CHUCK KEY S13	1	PC.
A12			192664-5	KEYLESS DRILL CHUCK	1	PC.
			192892-2	KEYLESS DRILL CHUCK	1	PC.
A13			191686-2	SAFETY GOGGLE	1	PC.
A14			192278-0	HOSE COMPLETE 28-1.5	1	PC.
A15			P-80024	JOINT 25	1	PC.
A16			P-80015	DUST EXTRACTOR ATTACHMENT	1	PC.
A17			194582-3	GRIP BASE SET	1	PC.
		INC.	122809-1	SPACER 20 ASS'Y	1	PC.
		INC.	419975-6	GRIP BASE 20	1	PC.
		INC.	921919-9	HEX. BOLT M8X110	1	PC.
A18			256806-6	ROD 10 (USE TO REMOVE CORE BIT)	1	PC.
			256815-5	ROD 15 (USE TO REMOVE CORE BIT)	1	PC.
A19			343411-9	CUTTER	1	PC.
A20			421342-3	DUST CUP 5	1	PC.
			421664-1	DUST CUP 9	1	PC.
A21			421755-8	WATERPROOF COVER	1	PC.
A22			A-44074	CENTER BIT 8-100 FOR CORE BIT	1	PC.
A23			765009-6	BLOW-OUT BULB 64	1	PC.
A24			194580-7	DUSTCUP SET	1	PC.
A25			188088-1	HAMMER GREASE 30G	1	PC.
A26			195189-8	HAMMER SERVICE KIT	1	PC.
	2	INC.	195023-2	CARBON BRUSH CB-442 2PC/SET (W/ORIGIN)	1	SET
		INC.	421955-0	CUSHION RING 13	1	PC.
		INC.	213227-5	O RING 16	1	PC.
		INC.	213073-6	O RING 9	1	PC.
		INC.	286263-4	CAP 35	1	PC.
		INC.	233917-4	RING SPRING 28	1	PC.
		INC.	216022-2	STEEL BALL 7.0	1	PC.
		INC.	195127-0	MAKITA GREASE RB NO.00 30G	2	PC.