

Item No	Type	Ref	Part No	Description	Qty	Unit
1	2		286285-4	TOOL HOLDER CAP	1	PC.
2			233948-3	RING SPRING 25	1	PC.
3			257280-1	RING 28	1	PC.
4			419002-9	SPACER	1	PC.
5			233948-3	RING SPRING 25	1	PC.
6			324752-2	CHUCK RING	1	PC.
7			419778-8	CHACK COVER	1	PC.
8			419779-6	RELEASE COVER	1	PC.
9			310178-4	TOOL RETAINER	2	PC.
10			345804-6	SPRING GUIDE	1	PC.
11			233496-2	COMPRESSION SPRING 49	1	PC.
12			213766-5	O-RING 78	1	PC.
13			158175-0	BARREL COMPLETE	1	PC.
14			158179-2	BARREL COVER COMPLETE	1	PC.
15			922456-6	HEX. SOCKET HEAD BOLT M8X35	4	PC.
16			213492-6	O-RING 32	1	PC.
17			324740-9	TOOL HOLDER A	1	PC.
18			345804-6	SPRING GUIDE	1	PC.
19			419791-6	GEAR HOUSING COVER	1	PC.
20			922148-7	HEX. SOCKET HEAD BOLT M4X25	1	PC.
21			213274-6	O RING 18	1	PC.
22			213392-0	FLUORIDE RING 25	1	PC.
23			213317-4	O RING 20	1	PC.
24			324753-0	IMPACT BOLT	1	PC.
25			324756-4	RING 20	1	PC.
26			424000-0	RUBBUR RING 24	1	PC.
27			324757-2	COLLAR SLEEVE 20	1	PC.
28			233949-1	RING SPRING 44	1	PC.
29			257282-7	RING 47	1	PC.
30			267287-9	FLAT WASHER 57	1	PC.
31			262122-6	URETAHNE RING 57	1	PC.
32			267287-9	FLAT WASHER 57	1	PC.
33			256265-4	PIN 10	4	PC.
34			324741-7	TOOL HOLDER B	1	PC.
35			419776-2	LOCK SLEEVE	1	PC.
36			213654-6	O RING 60	1	PC.
37			165459-9	RINK ARM	1	PC.
38			419775-4	LINK ARM GUIDE	1	PC.
39			424024-6	SEAL PLATE	2	PC.
40			313138-5	DRIVING SLEEVE	1	PC.
41			419780-1	* SLIDE SLEEVE	1	PC.
42	2		451516-2	* CONECTING ROD	1	PC.
43			213460-9	O RING 35	1	PC.
44			419771-2	PISTON	1	PC.
45			268121-6	PIN 12	1	PC.
46	2		213296-6	* O-RING 34	1	PC.
47			213510-0	O RING 36	3	PC.
48			331748-6	CYLINDER 40	1	PC.
49	2		213296-6	* O-RING 34	1	PC.
50			324754-8	STRIKER	1	PC.
51			227511-2	STRAIGHT BEVEL GEAR 33	1	PC.
52			233498-8	COMPRESSION SPRING 46	1	PC.
53			257281-9	RING 45	1	PC.

Item No	Type	Ref	Part No	Description	Qty	Unit
54			213118-0	O RING 12	2	PC.
55			318124-1	PIPE HOLDER	2	PC.
56			213118-0	O RING 12	2	PC.
57			419773-8	SPRING GUIDE	2	PC.
58			233497-0	COMPRESSION SPRING 15	2	PC.
59			213953-6	O RING 24	2	PC.
60			331745-2	PIPE 22	2	PC.
61			213953-6	O RING 24	2	PC.
62			324755-6	* COUNTER WEIGHT	2	PC.
63			233497-0	COMPRESSION SPRING 15	2	PC.
64			419773-8	SPRING GUIDE	2	PC.
65			213118-0	O RING 12	2	PC.
66			318124-1	PIPE HOLDER	2	PC.
67			213118-0	O RING 12	2	PC.
68			922361-7	HEX. SOCKET HEAD BOLT M6X40	4	PC.
69			266192-7	TAPPING SCREW 4X14	1	PC.
70			419020-7	CHANGE LEVER	1	PC.
71			233436-0	COMPRESSION SPRING 3	2	PC.
72			419777-0	LOCK BUTTON	1	PC.
73	2		450687-2	* CRANK LEVER	1	PC.
74	2		213534-6	* O RING 36	1	PC.
75			233506-5	TORSION SPRING 16	1	PC.
76			310207-3	LINK LEVER	1	PC.
77			345778-1	RETAINER PLATE	1	PC.
78	2		265014-8	* + PAN HEAD SCREW M4X12	1	PC.
79			318130-6	CRANK CAP COVER	1	PC.
80			266192-7	TAPPING SCREW 4X14	2	PC.
81			911133-5	PAN HEAD SCREW M4X18	6	PC.
82			419789-3	CRANK CAP	1	PC.
83			421998-2	SEAL RING	1	PC.
84			345779-9	LINK PLATE	1	PC.
85			419781-9	LINK PLATE GUIDE	1	PC.
86			158176-8	CRANK HOUSING COMPLETE	1	PC.
87			419008-7	FIX GUIDE	2	PC.
88			423366-5	CUSHION PLATE	1	PC.
89			324739-4	CRANK SHAFT	1	PC.
90			211418-2	BALL BEARING 6006LLU	1	PC.
91			254229-2	KEY 5	2	PC.
92			226646-6	HELICAL GEAR 47	1	PC.
93			227176-0	SPUR GEAR 24	1	PC.
94			961102-6	RETAINING RING S-22	1	PC.
95			253843-1	FLAT WASHER 12	1	PC.
96			421999-0	SEAL RING	1	PC.
97			158178-4	GEAR HOUSING COMPLETE	1	PC.
		INC.	212113-7	NEEDLE BEARING 1212	1	PC.
98			922341-3	HEX. SOCKET HEAD BOLT M6X25	2	PC.
99			125374-9	TORQUE LIMITER ASS'Y	1	PC.
100			419796-6	HANDLE COVER	1	PC.
101			265995-6	TAPPING SCREW 4X18	1	PC.
102	1		650567-4	SWITCH TG73B-1	1	PC.
	2		650676-9	SWITCH TG73B-1	1	PC.
103			154626-1	SWITCH HOLDER COMPLETE	1	PC.
104			419028-1	SWITCH LEVER	1	PC.

Item No	Type	Ref	Part No	Description	Qty	Unit
107			266041-8	TAPPING SCREW 5X25	6	PC.
108			419800-1	HANDLE	1	PC.
117			419793-2	CRANK HOUSING COVER	1	PC.
118			631726-9	CONTROLLER	1	PC.
119	1		266192-7	* TAPPING SCREW 4X14	1	PC.
	2		266901-4	* TAPPING SCREW 4X14	1	PC.
120			638510-3	LEAD UNIT	1	PC.
121			687169-3	STRAIN RELIEF	1	PC.
122			266192-7	TAPPING SCREW 4X14	1	PC.
123			419024-9	CORD CLAMP BASE	1	PC.
124			265995-6	TAPPING SCREW 4X18	4	PC.
125	1		266192-7	* TAPPING SCREW 4X14	1	PC.
	2		266901-4	* TAPPING SCREW 4X14	1	PC.
126			419774-6	LENS	1	PC.
127			682560-0	CORD GUARD 10	1	PC.
128			664471-1	CORD W/PLUG 2P-14-5.0M	1	PC.
129			266041-8	TAPPING SCREW 5X25	3	PC.
130			419790-8	REAR COVER	1	PC.
131			252178-7	HEX. NUT M8-12	1	PC.
132			253165-9	FLAT WASHER 8	1	PC.
133			240016-5	FAN 90	1	PC.
134			419782-7	FAN GUIDE	1	PC.
135	2		194990-8	AC CARBON BRUSH CB-171 2PC/SET (W/ ORIGIN)	1	SET
	3		195845-0	CARBON BRUSH CB-175 2PC/SET (W/ ORIGIN)	1	SET
136	1		638447-4	* BRUSH HOLDER UNIT	1	PC.
	2		632D00-2	* BRUSH HOLDER UNIT	1	PC.
137			419795-8	MOTOR HOUSING	1	PC.
138			636301-6	FIELD 115V	1	PC.
139			266095-5	TAPPING SCREW 5X55	2	PC.
140			210059-1	BALL BEARING 6000DDW	1	PC.
141			681642-5	INSULATION WASHER	1	PC.
142			516991-0	ARMATURE ASS'Y 115V	1	PC.
		INC.		Item No. 140,141,145		
143			267025-9	FLAT WASHER 15	1	PC.
144			211238-4	BALL BEARING 6202LLU	1	PC.
145			331596-3	SLEEVE 12	1	PC.
146			213231-4	OIL SEAL 15	1	PC.
147			419788-5	BAFFLE PLATE	1	PC.
148			266192-7	TAPPING SCREW 4X14	1	PC.
149			419786-9	SWITCH BOX	1	PC.
150			263027-3	RUBBER PIN 4	1	PC.
151			651418-4	SWITCH ST115A-40	1	PC.
152			232209-8	LEAF SPRING	1	PC.
153			154635-0	SLIDE LEVER COMPLETE	1	PC.
154			419785-1	CONTROL PLATE	1	PC.
200			265701-9	SCREW M6X14 (F/GRIP ASS'Y)	1	PC.
201			266163-4	CUP SQUARE NECK BOLT M8X80 (F/GRIP ASS'Y)	1	PC.
202			344492-6	PLATE (F/GRIP ASS'Y)	1	PC.
203			345780-4	GRIP SPRING 82 (F/GRIP ASS'Y)	1	PC.
204			419792-4	SIDE GRIP BASE 82 (F/GRIP ASS'Y)	1	PC.
205			931302-2	HEX. NUT M6 (F/GRIP ASS'Y)	1	PC.
300			213576-0	OIL SEAL F/BARREL COM.	1	PC.

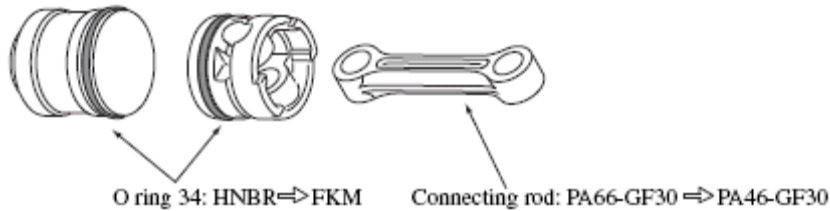
Item No	Type	Ref	Part No	Description	Qty	Unit
ACCESSORIES			- See Catalogue or visit www.makita.ca for more accessories -			
A01			158131-0	GRIP 36 COM. (Straight)	1	PC.
A02	1		158275-6	PLASTIC CARRYING CASE	1	PC.
		INC.	163467-4	LATCH	2	PC.
	2		196187-5	PLASTIC CARRYING CASE	1	PC.
		INC.	----	INNER TRAY - N/A as individually	1	PC.
A03	1		181573-3	GREASE VESSEL 93G - N/L/A	1	PC.
	2		194683-7	GREASE VESSEL SET, 100CC, PUMP TYPE, FOR BIT	1	PC.
A04	2		135269-8	SIDE HANDLE 82 ASS'Y (D-shape) (OLD 134885-3)	1	PC.
		INC.	252640-2	WING NUT M8	1	PC.
		INC.	265439-6	HEX. BOLT M8X150	1	PC.
		INC.	318505-9	SIDE HANDLE BASE 82A	1	PC.
		INC.	318506-7	SIDE HANDLE BASE 82B	1	PC.
		INC.	417002-3	SIDE HANDLE CAM	2	PC.
		INC.	417003-1	SIDE HANDLE	1	PC.
		INC.	951166-8	SPRING PIN 5-24	1	PC.
A05			321248-4	DEPTH GAUGE	1	PC.
A06			443122-7	CLOTH	1	PC.
A07			135380-6	GRIP 36 ASSY (Straight)	1	PC.
		INC.		INC. Item No. A01, A05, 200-205		
A08	3		195191-1	HAMMER SERVICE KIT SET	1	PC.
		INC.	A-90582	MAKITA GREASE R NO.00 30CC (1OZ)	1	PC.
		INC.	195845-0	CARBON BRUSH CB-175 2PC/SET (W/ ORIGIN)	1	SET
		INC.	213274-6	O RING 18	1	PC.
		INC.	213296-6	O RING 34	2	PC.
		INC.	213317-4	O RING 20	1	PC.
		INC.	213392-0	FLUORIDE RING25	1	PC.
		INC.	286285-4	TOOL HOLDER CAP	1	PC.
A09			196571-4	DUST EXTRACTOR ATTACHMENT SET	1	PC.
		INC.	142350-8	HOSE COMPLETE 28 - 1.5	1	PC.
		INC.	417765-1	FRONT CUFF 22	1	PC.
		INC.	417766-9	FRONT CUFF 38	1	PC.
		INC.	415021-3	HOSE JOINT	1	PC.
		INC.	454749-8	HOSE HOLDER A	1	PC.
		INC.	454750-3	HOSE HOLDER B	1	PC.
		INC.	454809-6	HOSE HOLDER C	1	PC.
		INC.	-----	PLASTIC CASE LABEL (N/A Individually)	1	PC.
		INC.	-----	CARTON (Master) (N/A Individually)	1	PC.
		INC.	-----	Instruction Manual 30Language (N/A Individually)	1	PC.

SERVICE CHANGES

1. Changes on Connecting Rod, Oring 34

Item No.	Description	Type 1	Type 2
42	CONNECTING ROD	419772-0	451516-2
46, 49	O RING 34	213482-9	213296-6

Above parts are completely interchangeable as a set.



2. Changes on Crank Lever, Tapping Screw

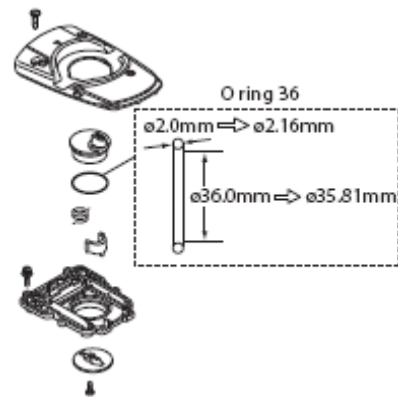
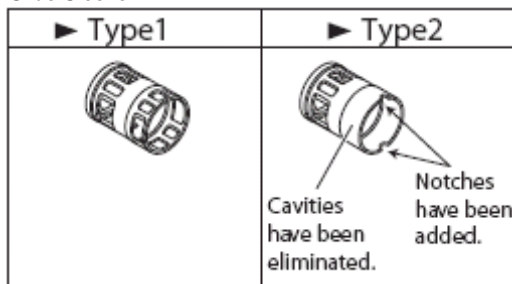
Item No.	Description	Type 1	Type 2
73	CRANK LEVER	419784-3	450687-2
78	TAPPING SCREW	266020-6	265014-8

Above parts are completely interchangeable as a set.

3. Changes on Slide Sleeve, Oring 36

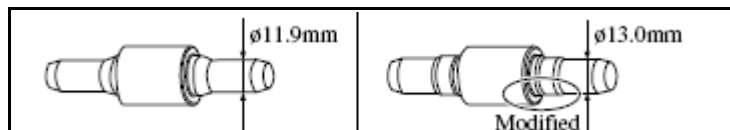
Item No.	Description	Type 1	Type 2
41	Slide Sleeve	419780-1 (Part No. remains the same)	
74	Oring 36	213515-0	213534-6

Slide Sleeve



4. Changes on Counter Weight

Item No.	Description	Type 1	Type 2
62	COUNTER WEIGHT	324755-6 (Part No. remains the same)	



5. Changes on Tapping Screws

(TI# A2782)

Item No.	Description	Type 1	Type 2
119	TAPPING SCREW 4X14	266192-7	266901-4
125	TAPPING SCREW 4X14	266192-7	266901-4

Type 1

Type 2



6. Changes on Brush Holder Unit

(TI#A4072)

Item No.	Description	Type 1	Type 2
136	BRUSH HOLDER UNIT	638447-4	632D00-2

Type 1

Type 2

