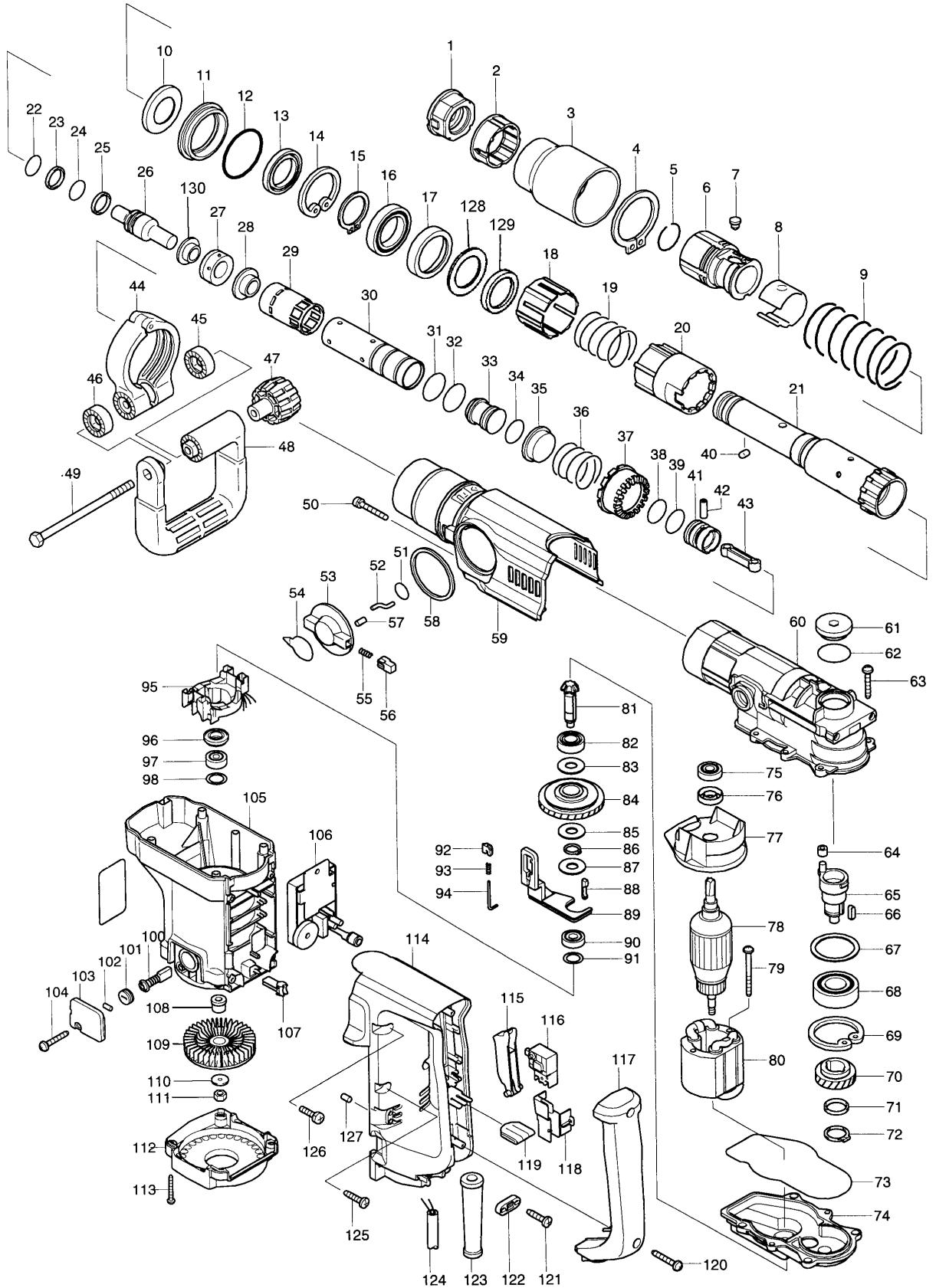
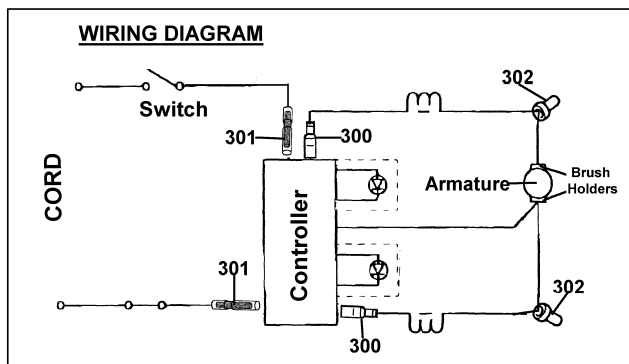
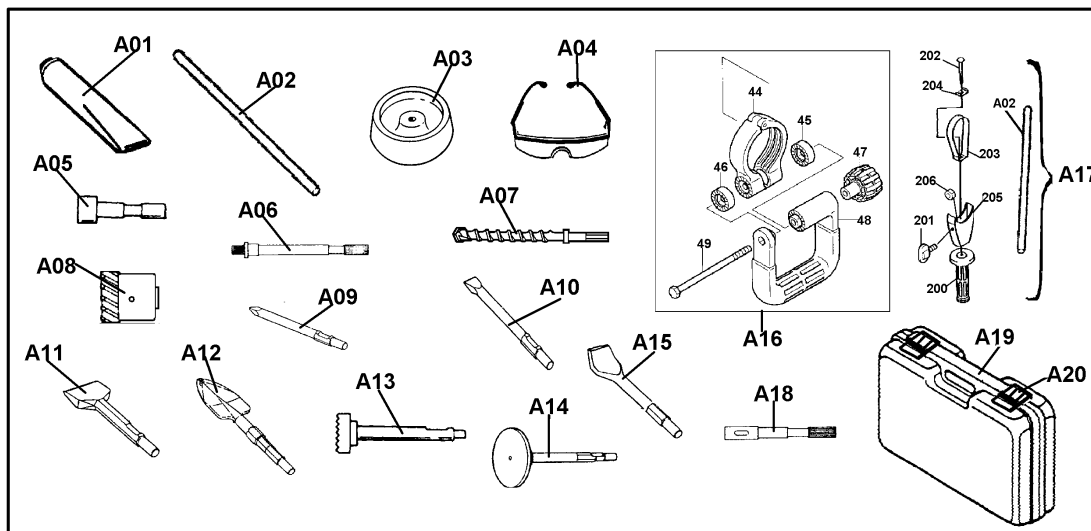


1/1/2" ROTARY HAMMER - SPLINE SHANK

Model HR4040C(MJ)



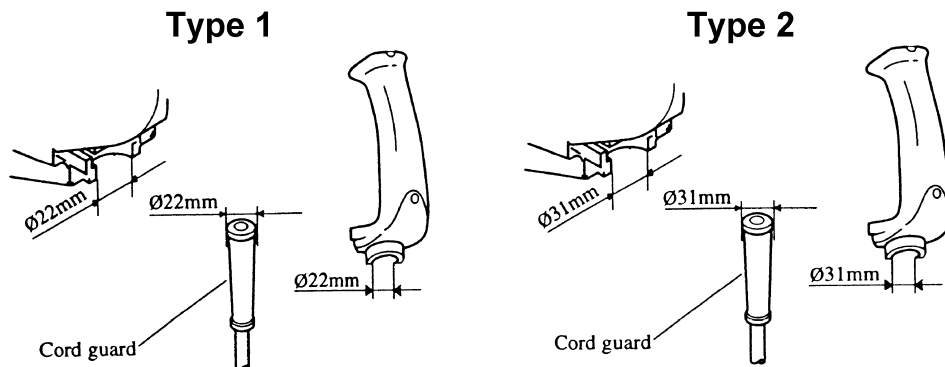
Item No.	Part No.	No. Used	Description	Item No.	Part No.	No. Used	Description
1	286254-5	1	Tool Holder Cap	60	159948-4	1	Crank Housing Com.
2	417055-2	1	Sleeve 46	61	416124-6	1	Crank Cap
3	417054-4	1	Chuck Cover	62	213406-5	1	O Ring 30
4	961224-2	1	Retaining Ring S-50	63	266012-5	6	Tapping Screw 5X35
5	231992-4	1	Ring Spring 29	65	323929-6	1	Crank Shaft
6	323934-3	1	Chuck Ring	66	254229-2	2	Key 5
7	323941-6	1	Pin 8	67	267169-5	1	Flat Washer 42
8	232196-1	1	Leaf Spring 39	68	211373-8	1	Ball Bearing 6205LLU
9	233256-2	1	Compression Spring 50	69	962251-2	1	Retaining Ring R-52
10	344488-7	1	Cup Washer 32	70	226479-9	1	Helical Gear 37
11	416283-6	1	Seal Case	71	267121-3	1	Flat Washer 20
12	213601-7	1	O Ring 50	72	961060-6	1	Retaining Ring S-20
13	213480-3	1	Oil Seal 35	73	421613-8	1	Seal Ring
14	962253-8	1	Retaining Ring R-56	74	159949-2	1	Gear Housing Com.
15	961153-9	1	Retaining Ring S-35	75	210059-1	1	Ball Bearing 6000DDW
16	211469-5	1	Ball Bearing 6907	76	213112-2	1	Oil Seal 12
17	331510-9	1	Bearing Holder	77	416987-0	1	Baffle Plate
18	416325-6	1	Lock Sleeve B	78	516326-5	1	Armature Assy (Includes Items 96 & 97)
19	233177-8	1	Compression Spring 44	79	266044-2	2	Tapping Screw 5x60
20	416125-4	1	Lock Sleeve A	80	634296-7	1	Field
21	323933-5	1	Tool Holder	81	226746-2	1	Straight Bevel Gear 10
22	213317-4	1	O Ring 20	82	211121-5	1	Ball Bearing 1207
23	213392-0	1	Fluoride Ring 25	83	267113-2	1	Flat Washer 12
24	213317-4	1	O Ring 20	84	159947-6	1	Torque Limiter Com.
25	213392-0	1	Fluoride Ring 25	85	267113-2	1	Flat Washer 12
26	323942-4	1	Impact Bolt	86	961052-5	1	Retaining Ring S-12
27	421730-4	1	Rubber Ring 19	87	253810-6	1	Flat Washer 12
28	331582-4	1	Sleeve 16 (Old 331505-2)	88	322951-0	2	Change Key
29	416282-8	1	Slide Sleeve	89	416288-6	1	Change Link
30	331508-6	1	Cylinder 28.5	90	211031-6	1	Ball Bearing 608LLB
31	213406-5	1	O Ring 30	91	253314-8	1	Thin Washer 15
32	213406-5	1	O Ring 30	92	416289-4	1	Slide Plate
33	322960-9	1	Striker	93	233180-9	1	Compression Spring 3
34	213370-0	1	O Ring 22	94	322963-3	1	Guide Pin 2
35	331509-4	1	Ring 33	95	632699-9	1	Support Com.
36	233176-0	1	Compression Spring 37	96	681650-6	1	Insulation Washer
37	226745-4	1	Straight Bevel Gear 33	97	210005-4	1	Ball Bearing 608DDW
38	213370-0	1	O Ring 22	98	253343-1	1	Thin Washer 18
39	213370-0	1	O Ring 22	100	191961-6	2	A. C. Carbon Brush CB-304 (2pcs/Set)
40	323940-8	1	Roller 12	101	643750-0	2	Brush Holder Cap
41	416122-0	1	Piston	102	263002-9	2	Rubber Pin 4
42	256197-5	1	Pin 7	103	416292-5	2	Brush Holder Cover
43	416123-8	1	Rod	104	265995-6	2	Tapping Screw 4X18
44	151769-0	1	Side Handle 68 Com.	105	159950-7	1	Motor Housing Com. (Includes 632687-6 - Lead Unit, 643754-2 - Brush Holder 5X11, 643757-6 - BrushHolder, 2X819064-1- Makita Mark)
45	417002-3	1	Side Handle Cam	106	631236-6	1	Controller
46	417002-3	1	Side Handle Cam	107	*	1	Fix Rod
47	252640-2	1	Knob (Wing Nut M8)	108	322961-7	1	Sleeve 7
48	417003-1	1	Side Handle	109	241876-8	1	Fan 76
49	265439-6	1	Hex. Bolt M8X150	110	253804-1	1	Flat Washer 6
50	911128-8	1	Pan Head Screw M4X16	111	931302-2	1	Hex. Nut M6
51	213304-3	1	O Ring 20	112	416295-9	1	Rear Cover
52	322962-5	1	Crank Pin 4	113	265995-6	4	Tapping Screw 4X18
53	416287-8	1	Change Lever	114	*	1	Handle
54	816329-2	1	Indication Label	115	416284-4	1	Switch Lever
55	233188-3	1	Compression Spring 2.4	116	651922-3	1	Switch
56	417340-3	1	Lock Button				
57	256122-6	1	Pin 4				
58	421698-4	1	Dustproof Washer 55				
59	151761-6	1	Crank Housing Cover Com. (Includes 817280-9 - Caution Label)				



Item No.	Part No.	No. Used	Description	Item No.	Part No.	No. Used	Description
117	*	1	Handle Cover	A02	321248-4	1	Depth Gauge
118	416126-2	1	Lead Guide	A03	421342-3	1	Dust Cup 5
119	421583-1	1	Sponge Sheet		421664-1	1	Dust Cup 9
120	265995-6	2	Tapping Screw 4X18	A04	191686-A	1	Makita Safety Glasses
121	265995-6	2	Tapping Screw 4X18	A05	798132-2	1	Ground Rod Adaptor 20
122	687063-9	1	Strain Relief	A06	798138-0	1	Core Bit Adaptor 25.4-320
123	*	1	Cord Guard 10	A07	-----	1	Bit (See Catalogue for Details)
124	664276-9	1	Cord With Plug 2P-16-5.0M	A08	-----	1	Core Bit (See Catalogue for Details)
125	266021-4	1	Tapping Screw 5X20	A09	-----	1	Bull Point (See Catalogue for Details)
126	911233-1	1	P. H. Screw M5X20	A10	-----	1	Cold Chisel (See Catalogue for Details)
127	416285-2	1	Acrylic Pin 5	A11	798141-1	1	Scaling Chisel
128	267206-5	1	Flat Washer 35	A12	798148-7	1	Clay Spade
129	262089-8	1	Urethane Ring 35	A13	798144-5	1	Bushing Tool
130	331572-7	1	Washer 16	A14	798149-5	1	Rammer
200	152554-4	1	Grip 36 Com.	A15	-----	1	Grooving Chisel (See Catalogue for Details)
201	265701-9	1	Screw M6X14	A16	134890-0	1	Side Handle 68 Assy (Includes Items 44 - 49)
202	266163-4	1	Cup Square Neck Bolt M8X80	A17	134803-1	1	Grip 36 Assy (Includes Items 200 - 206 & A02)
203	344491-8	1	Grip Spring 68	A18	798135-6	1	A-Taper Shank Adaptor
204	344492-6	1	Plate	A19	824479-9	1	Plastic Carrying Case (Includes Item A20)
205	416299-1	1	Side Grip Base 68	A20	416401-6	2	Latch
206	931302-2	1	Hex. Nut M6				
300	654079-9	2	Insulated Receptacle DF1.25				
301	654177-9	2	Insulated Terminal				
302	654509-0	2	Closed End Terminal 2-SD				
Accessories							
A01	181573-3	1	Grease Vessel				

SERVICE CHANGES

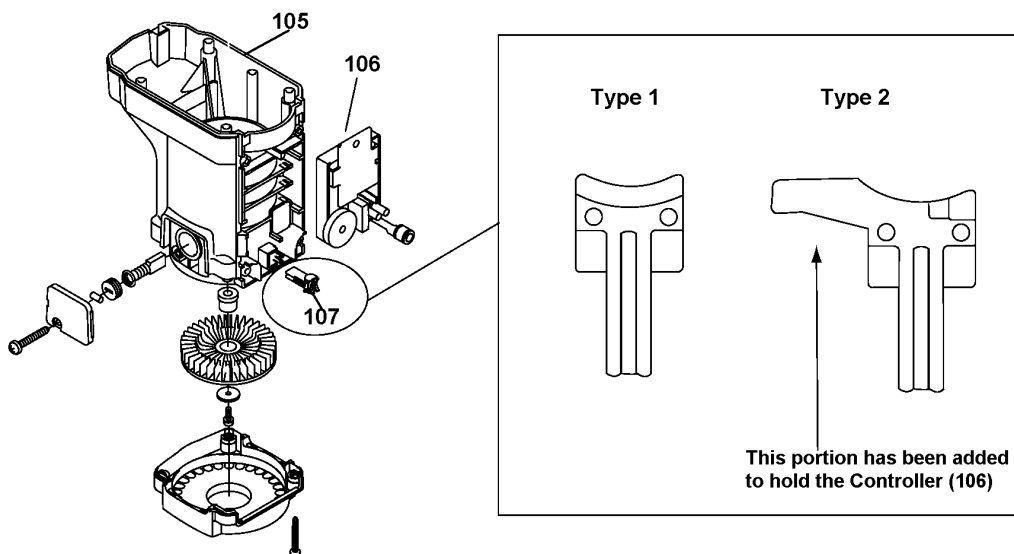
1. Change on Handle & Handel Cover.



Item No.	Description	Type 1	Type 2
114	Handle	416985-4	417164-7
117	Handle Cover	416291-7	417165-5
123	Cord Guard	682505-8 (682556-1)	682560-0
	Serial No.	~ 2166E	2167E ~

Above parts are completely interchangeable as a set.

2. Modification of Fix Rod.



Item No.	Description	Type 1	Type 2
107	Fix Rod	415695-0	417715-6
	Serial No.	~ 3068E	3069E ~

Above parts are completely interchangeable as a set.