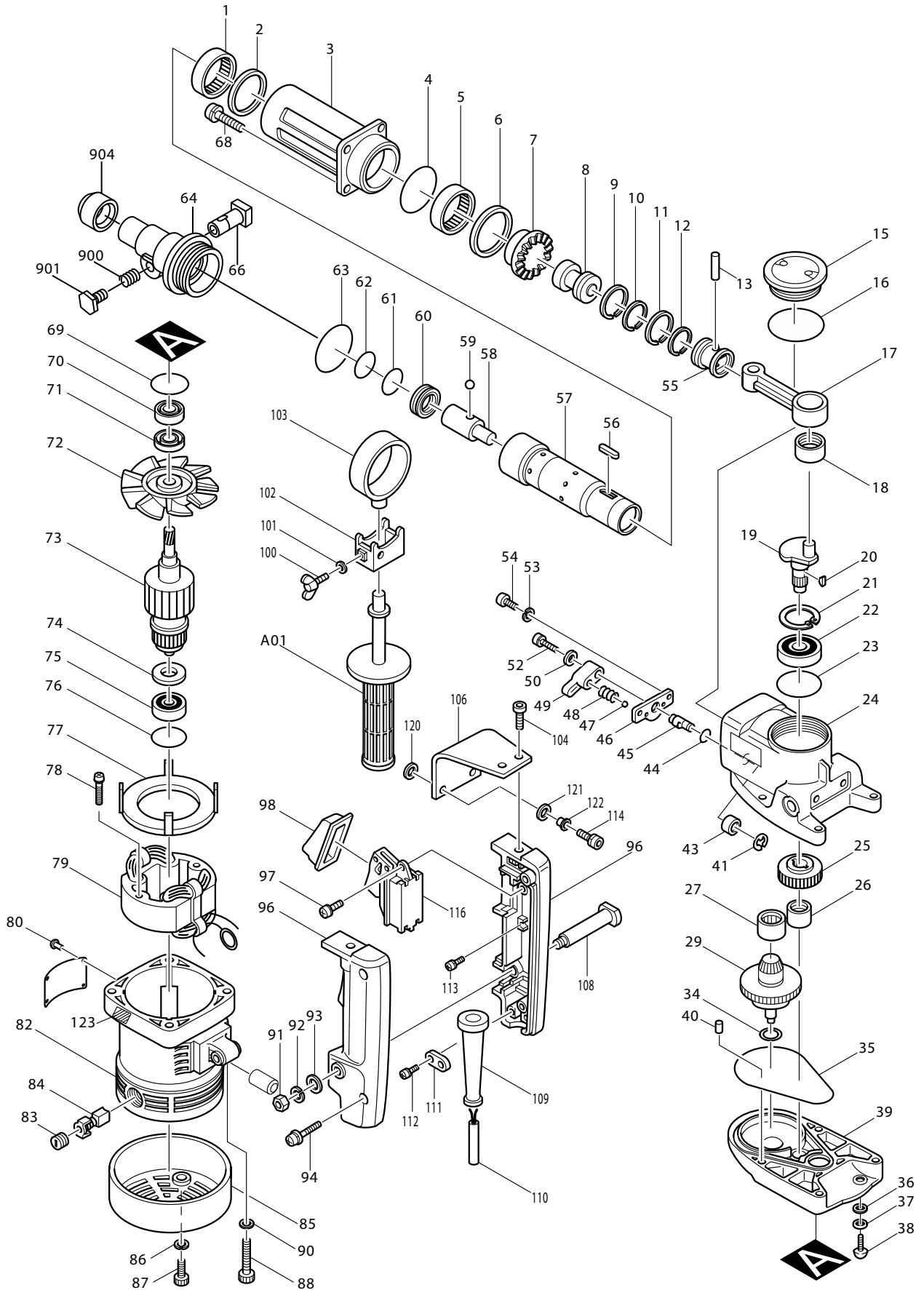




10-2006
HR3851

1-1/2" ROTARY HAMMER SPLINE, AC/DC



ITEM #	PART #	DESCRIPTION	QTY	UNIT
1	212551-3	NEEDLE BEARING 4516	1	PC.
2	267057-6	FLAT WASHER 40	1	PC.
3	311674-5	BARREL	1	PC.
4	213655-4	O RING 56	1	PC.
5	212551-3	NEEDLE BEARING 4516	1	PC.
6	253832-6	FLAT WASHER 45	1	PC.
7	221347-1	SPIRAL BEVEL GEAR 36	1	PC.
8	321369-2	STRIKER	1	PC.
9	412038-7	PISTON RING 34	1	PC.
10	412041-8	INNER RING 30	1	PC.
11	412038-7	PISTON RING 34	1	PC.
12	341743-8	INNER RING 30	1	PC.
13	256029-6	PIN 8	1	PC.
15	416136-9	CRANK CAP (TYPE 1)	1	PC.
	155981-4	CRANK CAP COM. (TYPE 2)		
16	213654-6	O RING 60	1	PC.
17	312956-8	ROD	1	PC.
18	212108-0	NEEDLE BEARING 1212	1	PC.
19	321726-4	CRANK SHAFT	1	PC.
20	254001-2	WOODRUFF KEY 4	2	PC.
21	962203-3	RETAINING RING R-47	1	PC.
22	211324-1	BALL BEARING 6204LLU	1	PC.
23	213606-7	O RING 48	1	PC.
24	157307-6	CRANK HOUSING COM (INCL. 23)	1	PC.
25	221689-3	HELICAL GEAR 33	1	PC.
26	212102-2	NEEDLE BEARING 1210	1	PC.
27	212359-5	NEEDLE BEARING 2216	1	PC.
29	134527-9	TORQUE LIMITER ASSY	1	PC.
34	253314-8	THIN WASHER 15	1	PC.
35	421689-5	SEAL RING	1	PC.
36	654031-7	CUP WASHER 4	1	PC.
37	654032-5	FLAT WASHER 4	1	PC.
38	652014-1	P.H. SCREW M4X8	1	PC.
39	157369-4	GEAR HOUSING (INCL 40 & 69)	1	PC.
40	263005-3	RUBBER PIN 6	1	PC.
41	961011-9	STOP RING E-4	1	PC.
43	212011-5	NEEDLE BEARING 609	1	PC.
44	213055-8	O RING 10	1	PC.
45	321727-2	CHANGE SHAFT	1	PC.
46	342786-3	PLATE	1	PC.
47	216002-8	STEEL BALL 4.8	1	PC.
48	231317-2	COMPRESSION SPRING 3	1	PC.
49	410331-3	CHANGE LEVER	1	PC.
50	941052-1	FLAT WASHER 4	1	PC.
52	922126-7	HEX. SOCKET HEAD BOLT M4X16	1	PC.
53	942101-7	SPRING WASHER 5	2	PC.
54	922212-4	HEX. SOCKET HEAD BOLT M5X12	2	PC.
55	321370-7	PISTON	1	PC.
56	254231-5	KEY 4	2	PC.
57	152335-6	CYLINDER LINER COM (INCL. 56)	1	PC.
58	323718-9	IMPACT BOLT	1	PC.
59	216004-4	STEEL BALL 7.9	2	PC.
60	213428-5	X RING 28	1	PC.
61	213411-2	O RING 27	1	PC.
62	213411-2	O RING 27	1	PC.
63	213604-1	O RING 50	1	PC.

ITEM #	PART #	DESCRIPTION	QTY	UNIT
64	323717-1	TOOL HOLDER	1	PC.
66	331301-8	TOOL RETAINER	1	PC.
68	922341-3	HEX. SOCKET HEAD BOLT M6X25	4	PC.
69	213459-4	O RING 32	1	PC.
70	211109-5	BALL BEARING 6201	1	PC.
71	213160-1	OIL SEAL 14	1	PC.
72	241634-2	FAN 94	1	PC.
73	514771-8	ARMATURE ASSY (INCL. 72, 74 & 75)	1	PC.
74	681635-2	INSULATION WASHER	1	PC.
75	211087-9	BALL BEARING 6200DDW	1	PC.
76	213406-5	O RING 30	1	PC.
77	410163-8	BAFFLE PLATE	1	PC.
78	265347-1	+ HEX. BOLT M5X45	2	PC.
79	524631-6	FIELD ASSY (INCLUDES 2 X 654020-2 - RING TERMINAL & 2 X 654502-4 - CONNECTOR P-2)	1	PC.
82	159034-1	MOTOR HOUSING (INCLUDES 2 X 643653-8 - BRUSH HOLDER 6.5-13.5, 2 X 913206-0 - SET SCREW M5X8 & ITEM 76)	1	PC.
83	643650-4	BRUSH HOLDER CAP 6.5-13.5	2	PC.
84	181048-2	A.C. CARBON BRUSH CB-155, 2PCS/SET	1	SET
85	284055-5	REAR COVER	1	PC.
86	942101-7	SPRING WASHER 5	1	PC.
87	922221-3	HEX. SOCKET HEAD BOLT M5X16	2	PC.
88	922376-4	HEX. SOCKET HEAD BOLT M6X55	4	PC.
90	941151-9	FLAT WASHER 6	4	PC.
91	931302-2	HEX. NUT M6	1	PC.
92	942151-2	SPRING WASHER 6	1	PC.
93	941151-9	FLAT WASHER 6	1	PC.
94	911243-8	P.H. SCREW M5X25	2	PC.
96	182564-7	HANDLE SET (INCL. ITEM 107)	1	SET
97	911129-6	P.H. SCREW M4X16	1	PC.
98	421265-5	DUST COVER	1	PC.
100	924321-5	WING BOLT M6X18	1	PC.
101	261049-7	RUBBER WASHER 5.5	2	PC.
102	164543-7	GRIP BASE	1	PC.
103	164572-0	GRIP HOLDER	1	PC.
104	922316-2	HEX. SOCKET HEAD BOLT M6X14	2	PC.
106	343754-9	CUSHION PLATE	2	PC.
108	321210-9	HANDLE SHAFT	1	PC.
109	682567-6	CORD GUARD 8	1	PC.
110	664658-5	POWER SUPPLY CORD AWG#18-3-5.0, SJ	1	PC.
111	687001-1	STRAIN RELIEF	1	PC.
112	911133-5	P.H. SCREW M4X18	2	PC.
113	652014-1	P.H. SCREW M4X8	2	PC.
114	265914-2	HEX. SOCKET HEAD BOLT M6X25	2	PC.
116	651145-3	SWITCH C3D-H-M, DOUBLE	1	PC.
120	262051-3	RUBBER RING 9	2	PC.
121	262052-1	RUBBER RING 9	2	PC.
122	257636-8	SLEEVE 6	2	PC.
123	819063-3	MAKITA LABEL	2	PC.
900	231375-8	COMPRESSION SPRING 15	1	PC.
901	265321-9	HEX. BOLT M8X12	1	PC.
904	421596-2	CAP	1	PC.

ITEM #	PART #	DESCRIPTION	QTY	UNIT
<u>ACCESSORIES</u>				
A01	273472-4	GRIP 32	1	PC.
A02	150589-9	PLASTIC CARRYING CASE COMP. (INCLUDES A03)	1	PC.
A03	416401-6	LATCH (PLASTIC)	2	PC.
	163467-4	LATCH (METAL)	2	PC.
A04	321248-4	DEPTH GAUGE	1	PC.
A05	783202-0	HEX. WRENCH 4 US, BLISTER	1	PC.