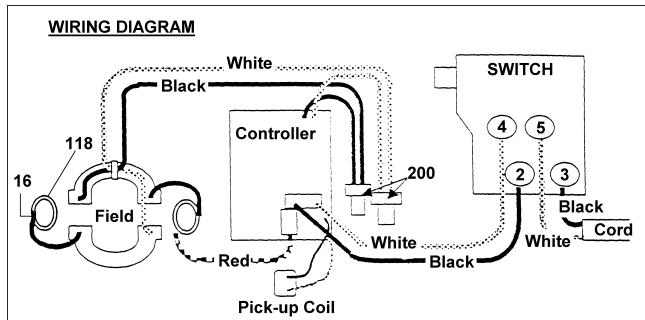
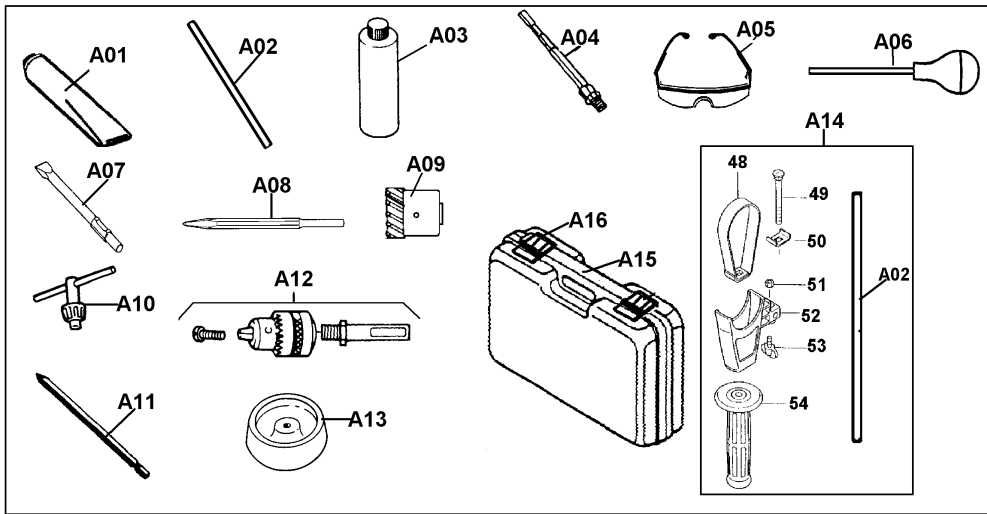


Item No.	Part No.	No. Used	Description	Item No.	Part No.	No. Used	Description
1	286253-7	1	Cap 40	65	213023-1	1	O Ring 4
2	417027-7	1	Chuck Cover	66	151694-5	1	Shift Lever Com.
3	233203-3	1	Compression Spring 38	67	151709-8	1	Crank Housing Com.
4	231979-6	1	Ring Spring 17	68	416124-6	1	Crank Cap
5	256447-8	1	Pin 8	69	213406-5	1	O Ring 30
6	323820-8	1	Chuck Ring	70	266173-1	4	Tapping Screw 5X30
7	232190-3	1	Leaf Spring 26	71	213070-2	1	O Ring 10
8	231936-4	1	Ring Spring 30.5	72	151758-5	1	Spur Gear 21 Com.
9	323819-3	1	Spring Guide	73	417014-6	1	Handle
10	233234-2	1	Compression Spring 35	74	416284-4	1	Switch Lever
11	344841-7	1	Guide Washer	75	651922-3	1	Switch
12	417015-4	1	Seal Case	76	416126-2	1	Lead Guide
13	213615-6	1	O Ring 46	77	421583-1	1	Sponge Sheet
14	213436-6	1	Oil Seal 28	78	265995-6	2	Tapping Screw 4X18
15	962251-2	1	Retaining Ring R-52	79	417028-5	1	Handle Cover
16	654020-2	2	Garter Spring	80	265995-6	2	Tapping Screw 4X18
17	961108-4	1	Retaining Ring S-28	81	687063-9	1	Strain Relief
18	211422-1	1	Ball Bearing 60/28LLU	82	682560-0	1	Cord Guard 10
19	216022-2	1	Steel Ball 7.0	83	664276-9	1	Cord With Plug 2P-16-5.0M
20	323912-3	1	Tool Holder	84	266021-4	4	Tapping Screw 5X20
21	256293-9	4	Pin 8	85	416285-2	2	Acrylic Pin 5
22	213321-3	1	Fluoro Carbon Resin Ring 20	86	911233-1	2	P. H. Screw M5X20
23	213228-3	1	O Ring 15	87	323915-7	1	Crank Shaft
24	323913-1	1	Impact Bolt	88	254239-9	2	Key 4
25	213228-3	1	O Ring 15	89	211332-2	1	Ball Bearing 6004LLU
26	213321-3	1	Fluoro Carbon Resin Ring 20	90	961060-6	1	Retaining Ring S-20
27	421703-7	1	Rubber Ring 13	91	962211-4	1	Retaining Ring R-42
28	331555-7	1	Sleeve 12	92	231991-6	1	Conical Comp. Spring 21-31
29	267753-6	1	Washer 19	93	223130-2	1	Clutch
30	256176-3	3	Pin 2.5	94	226514-3	1	Helical Gear 34
31	417023-5	1	Pin Holder	95	253878-2	1	Flat Washer 10
32	323936-9	1	Striker	96	961006-2	1	Retaining Ring S-10
33	213274-6	1	O Ring 18	97	213071-0	1	Oil Seal 10
34	331559-9	1	Cylinder 25	98	331564-6	1	Sleeve 10
35	331563-8	1	Sleeve 50	99	210058-3	1	Ball Bearing 6000LU
36	233253-8	1	Compression Spring 40	100	253171-4	1	Flat Washer 10
37	417020-1	1	Lock Sleeve	101	226782-8	1	Spiral Bevel Gear 10
38	331557-3	1	Ring 29	102	254202-2	1	Key 4
39	233254-6	1	Compression Spring 34	103	211138-8	1	Ball Bearing 6001LLU
40	331558-1	1	Driving Sleeve	104	152955-6	1	Torque Limiter Com. (Old 151692-9)
41	213435-8	1	O Ring 26	105	961006-2	1	Retaining Ring S-10
42	226783-6	1	Spiral Bevel Gear 37	106	210024-0	1	Ball Bearing 608 2RS
43	213274-6	1	O Ring 18	107	253314-8	1	Thin Washer 15
44	213274-6	1	O Ring 18	108	421702-9	1	Seal Ring
45	256292-1	1	Pin 7	109	151695-3	1	Gear Housing Com.
46	417021-9	1	Piston	110	417010-4	1	Baffle Plate
47	417016-2	1	Rod	111	634345-0	1	Field
48	344811-6	1	Grip Spring 63	112	266046-8	2	Tapping Screw 5X50
49	266163-4	1	Cup Square Neck Bolt M8X80	113	632933-7	1	Support Com.
50	344492-6	1	Plate	114	*	1	Armature Assy (Includes Items 115 & 116)
51	931302-2	1	Hex. Nut M6				
52	417026-9	1	Side Grip Base 63	115	681650-6	1	Insulation Washer
53	265701-9	1	Screw M6X14	116	210005-4	1	Ball Bearing 608DDW
54	152554-4	1	Grip 36 Com.	117	151840-0	1	Motor Housing Com.(Includes 632925-6 - Lead Unit, 643754-2 - Brush Holder & 643757-6 - Brush Holder 4X18)
55	911118-1	1	P. H. Screw M4X12				
56	151697-9	1	Crank Housing Cover Com.				
57	421704-5	1	Dustproof Washer				
58	213304-3	1	O Ring 20	118	654501-6	2	Connector P-1.25
59	151693-7	1	Change Lever Com.	119	191961-6	1	Auto Cut-Off Carbon Brush CB-304
60	256219-1	1	Pin 4				
61	417018-8	1	Lock Button	120	643750-0	2	Brush Holder Cap
62	233188-3	1	Compression Spring 2.4	121	263002-9	2	Rubber Pin 4
63	816329-2	1	Indication Label	122	417024-3	2	Brush Holder Cover
64	265077-4	1	Hex. Socket Flat Head Screw M5	123	265995-6	2	Tapping Screw 4X18

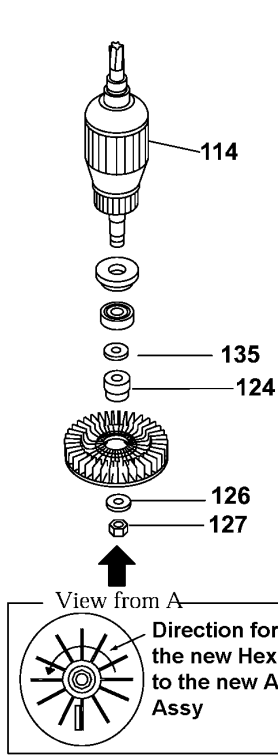


Item No.	Part No.	No. Used	Description	Item No.	Part No.	No. Used	Description
124	*	1	Shoulder Sleeve 7	A06	765009-6	1	Blow-Out Bulb 64
125	241863-7	1	Fan 70	A07	798388-7	1	Cold Chisel 20-250
126	*	1	Flat Washer 6	A08	798389-5	1	Bull Point 14-250
127	*	1	Hex. Nut M6	A09	-----	1	Core Bit (See Catalogue for Details)
128	417012-0	1	Rear Cover	A10	763432-9	1	Chuck Key S13
129	265995-6	4	Tapping Screw 4X18	A11	752031-2	1	Center Bit
130	417017-0	1	Fix Rod	A12	122574-2	1	Drill Chuck Assy (Includes
131	631368-9	1	Controller		251425-3	1	251425-3 - (-) Flat Head Screw M6X22 & 751099-5 - Chuck Adapter)
132	267088-5	1	Flat Washer 28	A13	421342-3	1	Dust Cup 5
133	262088-0	1	Urethane Ring 28		421664-1	1	Dust Cup 9
134	819001-5	1	Makita Label	A14	134889-5	1	Grip 36 Assy (Includes Items 48-54 & A02)
135	253133-2	1	Flat Washer (Add) *	A15	824559-1	1	Plastic Carrying Case (Includes Item A16)
200	654509-0	2	Connector 2-SD	A16	416401-6	2	Latch
Accessories							
A01	181573-3	1	Grease Vessel				
A02	321248-4	1	Depth Gauge				
A03	181490-7	1	Hammer Grease 30cc				
A04	A-86642	1	Core Bit Adapter (SDS Plus)				
A05	191686-A	1	Makita Safety Glasses				

* SEE SERVICE CHANGES

SERVICE CHANGES

1. Change of Armature Assy, Shoulder Sleeve 7, Flat Washer 6, Hex Nut M6 and Addition of Flat Washer.



Item No.	Description	Type 1	Type 2
114	Armature Assy	516381-7 (Right Hand Thread)	513516-1 (Left Hand Thread)
124	Shoulder Sleeve 7	323937-7 (14mm - 9/16")	324261-1 (13mm - 1/2")
126	Flat Washer 6	253047-5	941151-9
127	Hex Nut M6	931302-2 (Right Hand Thread)	252153-3 (Left Hand Thread)
135	Flat Washer 7	-----	253133-2

Above parts are completely interchangeable as a set.