

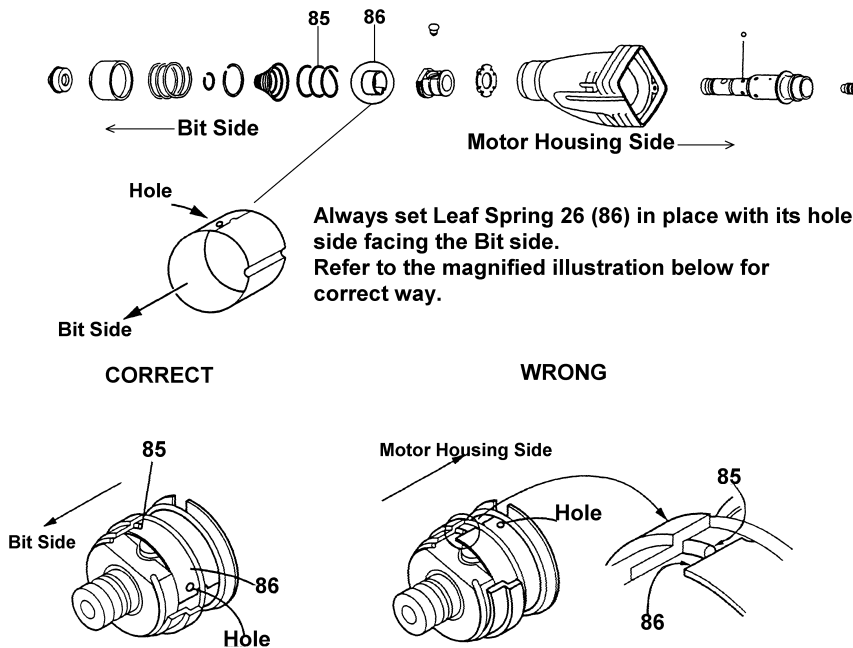
Item No.	Part No.	No. Used	Description	Item No.	Part No.	No. Used	Description
1	286251-1	1	Cap 37 (Old 286243-0)(Type 1) *	44	253865-1	1	Flat Washer 8
2	415076-8	1	Change Ring Cover (Type 1) *	45	213760-7	1	O Ring 78
3	152470-0	1	Change Ring Com. (Includes 232122-0 - Leaf Spring & 258022-6 - Spring Pin 4-6)(Type 1) *	46	159846-2	1	Gear Housing Com.
4	344205-5	1	Belt	47	211064-1	1	Ball Bearing 6000
5	266092-1	1	Square Bolt M8x60	48	213112-2	1	Oil Seal 12
6	267719-6	1	Square Washer 9	49	241879-2	1	Fan 60
7	922231-0	4	Hex Socket Head Bolt M5x20	50	516266-7	1	Armature Assy )(Includes Items 49, 51 & 52) (Commutator thickness is changed from 1.2mm to 2.4mm effective Oct/97. - life expectancy of armature will be doubled)
8	*	1	Barrel	51	681625-5	1	Insulation Washer
9	213604-1	1	O Ring 50	52	211033-2	1	Ball Bearing 608LB
10	213313-2	1	Oil Seal 20	53	660023-6	1	Cord With Plug 2P-18-25M (Old 664013-1)
11	211304-7	1	Ball Bearing 6004	54	<b>682568-4</b>	1	Cord Guard (Old 682503-2 & 682567-6)
12	961110-7	1	Retaining Ring S-30	55	415906-3	1	Handle (R)
13	233145-1	1	Compression Spring 31	56	651918-4	1	Switch
14	216022-2	1	Steel Ball 7.0 (Old 216009-4)	57	415903-9	1	Switch Lever
15	216011-7	4	Steel Ball 5.6	58	654501-6	2	Solderless Connector P-1.25
16	*	1	Tool Holder	59	687063-9	1	Strain Relief
17	223112-4	1	Clutch Cam	60	265995-6	2	Tapping Screw 4x18
18	226732-3	1	Spiral Bevel Gear 33	61	266041-8	2	Tapping Screw Flange PT 5x25
19	267127-1	1	Flat Washer 26	62	415907-1	1	Handle (L)
20	961106-8	1	Retaining Ring S-26	63	911243-8	2	P.H. Screw M5x25
21	267148-3	1	Flat Washer 23	64	265995-6	3	Tapping Screw 4x18
22	213063-9	1	O Ring 10	65	643600-9	2	Brush Holder Cap 6-10
23	*	1	Impact Bolt	66	181038-5	2	Auto Cut-Off Carbon Brush CB-105 (2pcs/Set)
24	213117-2	1	O Ring 11	67	922910-0	4	Hex Socket Head Bolt M5x45
25	322864-5	1	Striker	69	159889-4	1	Motor Housing Com.
26	213172-4	1	O Ring 15	70	594251-0	1	Field Assy
27	256123-4	1	Pin 5	71	266046-8	2	Tapping Screw Flange PT 5x50
28	213510-0	1	O Ring 36	72	415904-7	1	Baffle Plate
29	415902-1	1	Crank Cap	73	322517-6	2	Roller 7 * (Type 1)
30	316819-0	1	Piston	74	931202-6	1	Hex Nut M5
31	152504-9	1	Connecting Rod Com. (Includes 212043-2 - Needle Bearing 810)	75	152521-9	1	Grip 36 Com.
32	322842-5	1	Crankshaft	76	253865-1	1	Flat Washer 8
33	213172-4	1	O Ring 15	77	265720-5	1	Thumb Screw M5x14
34	159847-0	1	Crank Housing Com.	78	415658-6	1	Grip Base
35	654019-7	2	Garter Spring	79	<b>286265-0</b>	1	Cap 31 (Old 286248-0)
36	211204-1	1	Ball Bearing 6002	80	416410-5	1	Chuck Cover
37	961055-9	1	Retaining Ring S-15	81	233203-3	1	Compression Spring 38
38	226458-7	1	Helical Gear 29	82	231979-6	1	Ring Spring 17
39	253865-1	1	Flat Washer 8	83	231936-4	1	Ring Spring 30.5
40	226731-5	1	Spiral Bevel Gear 9	84	323819-3	1	Spring Guide
41	211104-5	1	Ball Bearing 6001	85	233234-2	1	Compression Spring 35
42	253744-3	1	Flat Washer 12	86	232190-3	1	Leaf Spring 26
43	226459-5	1	Helical Gear 43				

Item No.	Part No.	No. Used	Description	Item No.	Part No.	No. Used	Description
87	256447-8	1	Pin 8	A06	<b>A-90582</b>	1	Hammer Grease 30cc
88	323820-8	1	Chuck Ring	A07	192176-8	1	Dust Extractor Attachment
89	344690-2	1	Guide Washer	A08	<b>798341-3</b>	1	Chuck Key
<b>Accessories</b>				A09	765009-6	1	Blow-Out Bulb 64
A01	134780-7	1	Grip Assy (Includes Items 4-6, 74-78)	A10	782402-9	1	Lock Nut Wrench 28
A02	321144-6	1	Depth Gauge	A11	-----	1	SDS Plus Tungsten-Carbide Tipped Bit (See Catalogue for Details)
A03	421342-3	1	Dust Cup 5 (For Bits 7/32" ~ 9/16")	A12	-----	1	Drill Chuck ( See Catalogue for Details)
	421664-1	1	Dust Cup 9 (For Bits 15/32" ~ 5/8") & For Shanks 3/8" ~ 11/16")	A13	824464-2	1	Plastic Carrying Case (Includes Item A14 or A15)
A05	181573-3	1	Bit Grease 3.5oz(100g)	A14	186347-7	2	Slide Latch (Type 1) (2pcs Set)
				A15	417059-4	2	Snap Lock (Type 2)

\* SEE SERVICES CHANGES

**SERVICE NOTE:**

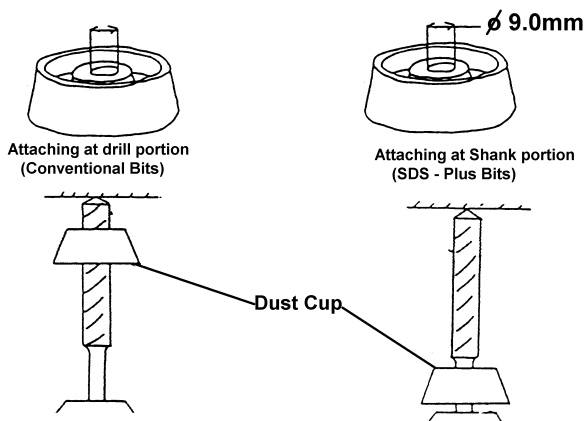
**How to Set Leaf Spring 26 (86) in place in Assembling Chuck**



If Chuck is assembled in the wrong way in repairing - with the hole side of Leaf Spring 26 (86) facing the Motor Housing side, the function of "Easy bit change by merely turning chuck" might be lost due to the interference between the end face of Compression Spring 35 (85) and that of the Leaf Spring 26 (86).

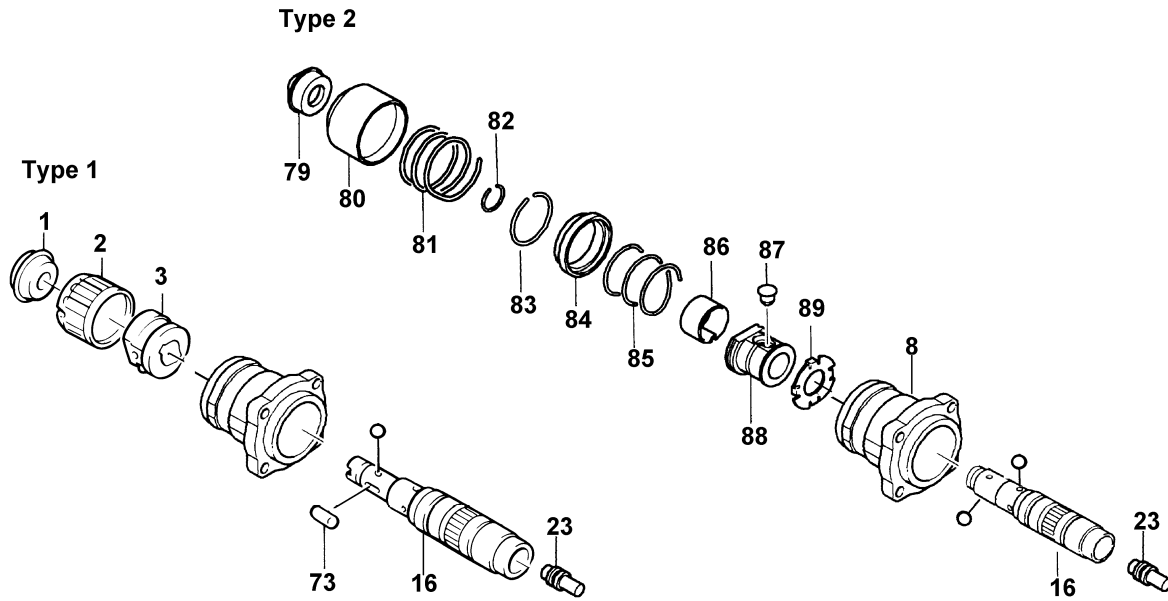
**SERVICE CHANGES**

**1. Addition of Dust Cup 9.**



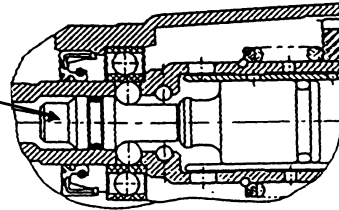
A03	Dust Cup 5	For Bits 7/32" ~ 9/16"	-----
	Dust Cup 9	For Bits 15/32" ~ 5/8"	For Shank 3/8" ~ 11/16"

**2. Changing Revolving Chuck into Sliding Chuck.**



**NOTE:** Impact Bolt (23) should be put in place as illustrated.

Please remove Leaf Spring (26) by using Retaining Ring Pliers



Item No.	Description	Type 1	Type 2
1	Cap 37	286251-1(Old 286243-0)	-----
2	Change Ring Cover	415076-8	-----
3	Change Ring Com.	152470-0	-----
8	Barrel	316781-9	317102-8
16	Tool Holder	322843-3	323821-6
23	Impact Bolt	322739-8	323818-5
73	Roller 7	322517-6	-----
79	Cap 31	-----	286248-0
80	Chuck Cover	-----	416410-5
81	Compression Spring 38	-----	233203-3
82	Ring Spring 17	-----	231979-6
83	Ring Spring 30.5	-----	231936-4
84	Spring Guide	-----	323819-3
85	Compression Spring 35	-----	233234-2
86	Leaf Spring 26	-----	232190-3
87	Pin 8	-----	256447-8
88	Chuck Ring	-----	323820-8
89	Guide Washer	-----	344690-2
	Serial No.	~ 91215E	91216E ~

Above parts are completely interchangeable as a set.