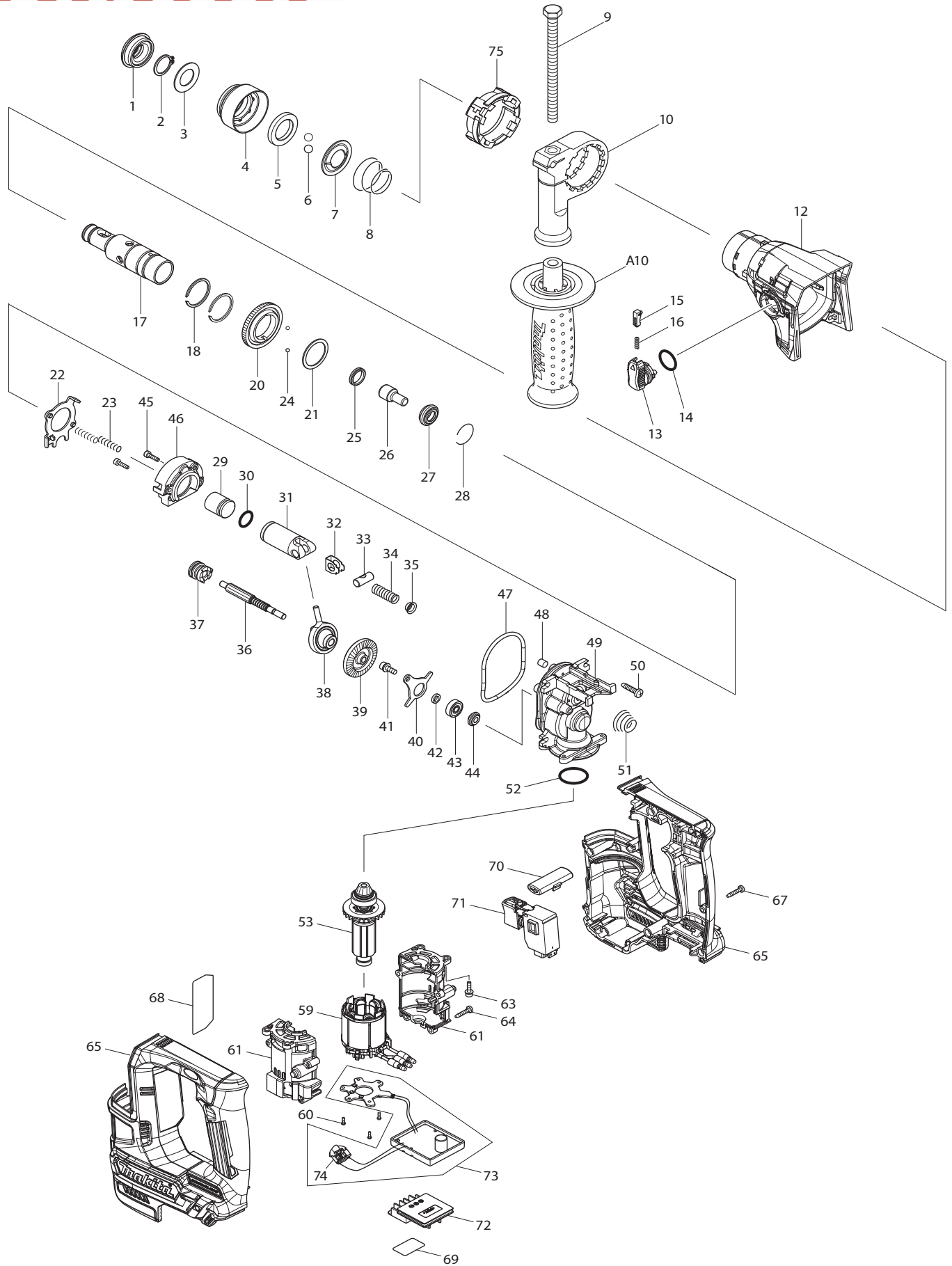




12 - 2016
HR166DSMJ, HR166DZ
12V CXT Brushless 5/8" Rotary Hammer



Item	Type	Sub	Part No	Description	Qty	Unit
001			286037-3	CAP 34	1	PC.
002			961057-5	RETAINING RING S-17	1	PC.
003			253377-4	FLAT WASHER 17	1	PC.
004			457214-6	CHUCK COVER	1	PC.
005			257416-2	RING 21	1	PC.
006			216022-2	STEEL BALL 7.0	2	PC.
007			346177-0	GUIDE WASHER	1	PC.
008			232347-6	CONICAL COMP. SPRING 21-29	1	PC.
009			921923-8	HEX HEAD BOLT M8X120	1	PC.
010			417911-6	GRIP BASE	1	PC.
012			144218-4	GEAR HOUSING COMPLETE	1	PC.
		INC.	211375-4	BALL BEARING 6805LLB	1	PC.
		INC.	213788-5	OIL SEAL 25	1	PC.
013			161569-0	CHANGE LEVER COMPLETE	1	PC.
014			213278-8	O RING 17, RUBBER	1	PC.
015			161568-2	LOCK BUTTON COMPLETE	1	PC.
016			232344-2	COMPRESSION SPRING 3	1	PC.
017			326841-9	TOOL HOLDER	1	PC.
018			961135-1	RETAINING, EXT, WR-25	2	PC.
020			221483-3	SPUR GEAR 57	1	PC.
021			267175-0	FLAT WASHER 24	1	PC.
022			161570-5	CHANGE PLATE COMPLETE	1	PC.
023			233194-8	COMPRESSION SPRING 4	2	PC.
024			216019-1	STEEL BALL 3	2	PC.
025			213183-9	X RING 13	1	PC.
026			326843-5	IMPACT BOLT	1	PC.
027			326842-7	RING 10	1	PC.
028			232343-4	RING SPRING 23	1	PC.
029			326844-3	STRIKER	1	PC.
030			213128-7	O RING 12, RUBBER	1	PC.
031			319510-9	PISTON CYLINDER	1	PC.
032			347101-6	GUIDE PLATE	1	PC.
033			326846-9	PISTON JOINT	1	PC.
034			232346-8	COMPRESSION SPRING 8	1	PC.
035			347102-4	SPRING GUIDE	1	PC.
036			326845-1	CLUTCH CAM	1	PC.
037			221482-5	SPUR GEAR 8	1	PC.
038			219026-3	SWASH BEARING 6	1	PC.
039			221481-7	SPIRAL BEVEL GEAR 37	1	PC.
040			347100-8	BEARING RETAINER	1	PC.
041			266273-7	HEX SOCKET HEAD BOLT M4X12	1	PC.
042			257415-4	RING 5	1	PC.
043			210065-6	BALL BEARING 625ZZ	1	PC.
044			326847-7	RING 5	1	PC.
045			265910-0	HEX SOCKET HEAD BOLT M3X12	2	PC.
046			144219-2	INNER SUPPORT COMPLETE	1	PC.
047	2		213889-9	O RING 60	1	PC.
048			443138-2	FILTER	1	PC.
049	2		140N37-0	INNER HOUSING COM.	1	PC.
	3		312B69-7	INNER HOUSING	1	PC.
050			265995-6	TAPPING SCREW M4X18	4	PC.
051			232345-0	CONICAL COMP. SPRING 8-19	1	PC.
052			213008-7	O RING 22.4	1	PC.
053			619421-1	ROTOR	1	PC.
		INC.	213162-7	O RING 14	1	PC.
059			629244-9	STATOR	1	PC.
060			266490-9	TAPPING SCREW PT M2X6	3	PC.
061			183G09-0	MOTOR CASE SET	1	SET
062			251510-2	H. S. HEAD BOLT M3X12 WITH WASHER	4	PC.
064			266130-9	TAPPING SCREW BIND PT M3X16	4	PC.

Item	Type	Sub	Part No	Description	Qty	Unit
065			183G17-1	HOUSING SET	1	SET
		INC.	262182-8	RUBBER RING 6	2	PC.
		INC.	263002-9	RUBBER PIN 4	2	PC.
		INC.	252126-6	HEX LOCKING NUT M4-7	2	PC.
		INC.	812F90-5	CAUTION LABEL	1	PC.
067			266130-9	TAPPING SCREW BIND PT M3X16	9	PC.
068			853A74-4	NAME PLATE F/HR166D	1	PC.
069			853A95-6	SERIAL NO. LABEL F/HR166D	1	PC.
070			457210-4	CHANGE LEVER F/R	1	PC.
071			650689-0	SWITCH C3JW-2B	1	PC.
072			644813-5	TERMINAL	1	PC.
073			620578-3	CONTROLLER	1	PC.
		INC.		Item No. 74		
074			620553-9	LED CIRCUIT	1	PC.
<u>ACCESSORIES</u>						
- Visit www.makita.ca for more accessories information -						
A01			415486-9	DEPTH GAUGE	1	PC.
A02			456128-6	BATTERY COVER F/ 12V LI-ION SLIDE TYPE	1	PC.
A03			DC10SB	RAPID CHARGER DC10SB	1	PC.
A04			-----	12V MAX LI-ION BATTERY, SLIDE TYPE		
A05			197211-7	INTERLOCKING TOOL CASE M	1	PC.
		INC.	453974-8	LOCKING LATCH	4	PC.
A06			T-02571	FOAM INSERT FOR INTERLOCKING TOOL CASE	2	PC.
A07			812K52-3	INDICATION LABEL F/HR166DSMJ	1	PC.
A10			158057-6	GRIP 36 COMPLETE	1	PC.
A11			198362-9	DUST CUP SET - Use with 194581-5	1	PC.
A12			421342-3	DUST CUP 5	1	PC.
A12			421664-1	DUST CUP 9	1	PC.
A13			195127-0	MAKITA GREASE RB NO.00, 30G	1	PC.
A14			194683-7	GREASE VESSEL SET, 100CC	1	PC.
A15			765009-6	BLOW-OUT BULB 64	1	PC.
A16			198564-7	HAMMER SERVICE KIT W/ORIGIN	1	PC.
		INC.	195127-0	MAKITA GREASE RB NO.00, 30G	1	PC.
		INC.	213128-7	O RING 12, RUBBER	1	PC.
		INC.	213183-9	X RING 13	1	PC.
		INC.	216022-2	STEEL BALL 7.0	2	PC.
		INC.	232343-4	RING SPRING 23	1	PC.
		INC.	286037-3	CAP 34	1	PC.
		INC.	961057-5	RETAINING RING S-17	1	PC.
A18			122574-2	1/2" DRILL CHUCK ATTACHMENT, SDS-PLUS	1	PC.
		INC.	192877-8	1/2" DRILL CHUCK	1	PC.
		INC.	751106-4	CHUCK ADAPTER SDS-PLUS	1	PC.
		INC.	251425-3	- FLANGE HEAD SCREW M6X22	1	PC.
A19			122823-7	1/2" KEYLESS DRILL CHUCK ATTACHMENT, SDS-PLUS	1	PC.
		INC.	192892-2	1/2" KEYLESS DRILL CHUCK	1	PC.
		INC.	751106-4	CHUCK ADAPTER SDS-PLUS	1	PC.
		INC.	251425-3	- FLANGE HEAD SCREW M6X22	1	PC.
A20			194581-5	GRIP BASE SET	1	PC.
		INC.	921919-9	HEX HEAD BOLT M8X110	1	PC.
		INC.	450120-4	GRIP BASE 15	1	PC.
		INC.	122810-6	SPACER 18 ASSEMBLY	1	PC.
A21			346909-5	HOOK F/12V LI-ION SLIDE BATTERY (1.5 - 4.0AH)	1	PC.
A22			-----	SAFETY GOGGLES		