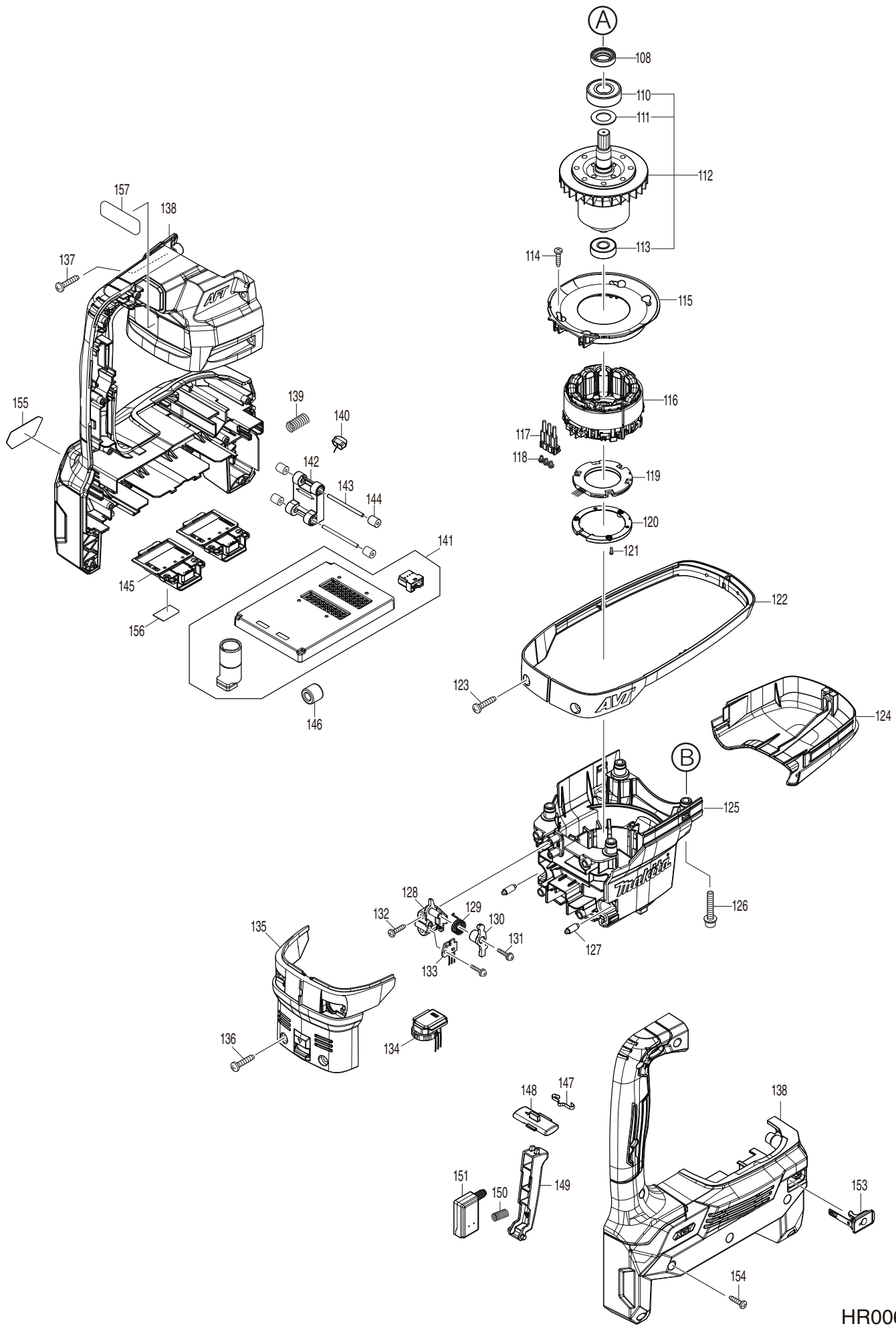


HR006G 1/2



PARTS LIST

Item No	Type	Part No	Description	Qty	Unit
001		286292-7	TOOL HOLDER CAP	1	PC.
002		233948-3	RING SPRING 25	1	PC.
003		257367-9	RING 28	1	PC.
004		454767-6	CHUCK COVER	1	PC.
005		262172-1	RUBBER RING 29	1	PC.
006		327868-2	CHUCK RING	1	PC.
007		454768-4	RELEASE COVER	1	PC.
008		310178-4	TOOL RETAINER	2	PC.
009		346751-4	SPRING GUIDE	1	PC.
010		234317-1	COMPRESSION SPRING 49	1	PC.
011		346751-4	SPRING GUIDE	1	PC.
012		922456-6	HEX. SOCKET HEAD BOLT M8X35	4	PC.
013		140Y01-7	HOUSING COVER COMPLETE	1	PC.
013	INC.	810100-6	CAUTION LABEL	1	PC.
014		213664-3	O RING 60	1	PC.
015		142408-3	BARREL COMPLETE	1	PC.
015	INC.	213663-5	O RING 55	1	PC.
015	INC.	213778-8	OIL SEAL 42	1	PC.
015	INC.	214603-6	PLANE BEARING 49	1	PC.
015	INC.	259056-2	RING SPRING 54	1	PC.
016		454769-2	LOCK SLEEVE	1	PC.
017		259057-0	RING SPRING 74	1	PC.
018		213766-5	O-RING 78	1	PC.
019		213789-3	O-RING 38	1	PC.
020		327735-1	TOOL HOLDER A	1	PC.
021		213779-6	O-RING 45	1	PC.
022		231989-3	RING SPRING 46	1	PC.
023		257353-0	RING 49	1	PC.
024		267477-4	FLAT WASHER 60	1	PC.
025		262171-3	RUBBER RING 60	1	PC.
026		267477-4	FLAT WASHER 60	1	PC.
027		268308-0	PIN 9	4	PC.
028		326362-1	TOOL HOLDER B	1	PC.
029		213394-6	O RING 23	3	PC.
030		213431-6	FLUORIDE RING 28	3	PC.
031		136413-0	IMPACT BOLT ASSY	1	PC.
031	INC.		Item No. 29,30		
032		324756-4	RING 20	1	PC.

Item No	Type	Part No	Description	Qty	Unit
033		424000-0	RUBBUR RING 24	1	PC.
034		327734-3	SHOULDER WASHER 20	1	PC.
035		213783-5	O-RING 48	1	PC.
036		413263-3	SLIDE SLEEVE	1	PC.
037		327731-9	STRIKER	1	PC.
038		213781-9	O-RING 33	1	PC.
039		234318-9	COMPRESSION SPRING 45	1	PC.
040		256548-2	FLAT FILLISTER HEAD PIN 6	1	PC.
041		454779-9	GUIDE RING	1	PC.
042		346749-1	LINK PLATE	1	PC.
043		313272-1	DRIVING SLEEVE	1	PC.
044		257994-2	RETAINING RING(EXT)WR-44	1	PC.
045		257355-6	RING 44	1	PC.
046		267478-2	FLAT WASHER 44	1	PC.
047		234319-7	COMPRESSION SPRING 46	1	PC.
048		267478-2	FLAT WASHER 44	1	PC.
049		327730-1	CYLINDER 40	1	PC.
050		257994-2	RETAINING RING(EXT)WR-44	1	PC.
051		213460-9	O RING 35	3	PC.
052		257820-5	SLEEVE 9	1	PC.
053		312A68-3	PISTON	1	PC.
054		213782-7	O-RING 30	1	PC.
055		213460-9	O RING 35	1	PC.
056		413261-7	CONNECTING ROD	1	PC.
057		227625-7	SPIRAL BEVEL GEAR 33	1	PC.
058		265995-6	TAPPING SCREW 4X18	1	PC.
059		454326-6	CHANGE LEVER	1	PC.
060		312A70-6	CRANK CAP COVER	1	PC.
061		454345-2	CRANK LEVER	1	PC.
062		213262-3	O RING 18	1	PC.
063		424607-2	FILTER CAP	1	PC.
064		443129-3	FILTER	1	PC.
065		454764-2	CRANK CAP	1	PC.
066		911128-8	P.H.SCREW M4X16 WITH WR	6	PC.
067	2	422787-8	SEAL RING B	1	PC.
068		232280-2	LEAF SPRING	1	PC.
069		413827-3	LINK LEVER	1	PC.
070		911511-9	PAN HEAD SCREW M4X10	1	PC.
071		233611-8	TORSION SPRING 7	1	PC.

Item No	Type	Part No	Description	Qty	Unit
072		454778-1	LINK GUIDE	1	PC.
073		911128-8	P.H.SCREW M4X16 WITH WR	2	PC.
074		346748-3	GUIDE RAIL	1	PC.
075	2	140H08-4	CRANK HOUSING A COMPLETE	1	PC.
076		922359-4	H.S.H.BOLT M6X35 WITH WG	2	PC.
077		213662-7	O RING 55	1	PC.
078		922359-4	H.S.H.BOLT M6X35 WITH WG	2	PC.
079		413264-1	SPRING BASE	1	PC.
080		232662-8	COMPRESSION SPRING 12	2	PC.
081		232664-4	COMPRESSION SPRING 10	1	PC.
082		911233-1	PAN HEAD SCREW M5X20	3	PC.
083		127823-2	TORQUE LIMITER ASSEMBLY	1	PC.
083	INC.		Item No. 84-90		
084		227628-1	SPIRAL BEVEL GEAR 10	1	PC.
085		210256-9	BALL BEARING 6904LLB	1	PC.
086		142410-6	TORQUE LIMITER COMPLETE	1	PC.
087		324727-1	SHOULDER WASHER 8	1	PC.
088		210005-4	BALL BEARING 608DDW	1	PC.
089		253215-0	FLAT WASHER 8	1	PC.
090		961004-6	RETAINING RING S-8	1	PC.
091		327729-6	CRANK SHAFT	1	PC.
092		210255-1	BALL BEARING 6006LLB	1	PC.
093		254229-2	KEY 5	2	PC.
094		227788-9	HELICAL GEAR 46	1	PC.
095		227336-4	SPUR GEAR 26	1	PC.
096		961102-6	RETAINING RING S-22	1	PC.
097		253843-1	FLAT WASHER 12	1	PC.
098	2	422786-0	SEAL RING A	1	PC.
099		142409-1	GEAR HOUSING COMPLETE	1	PC.
100		454774-9	SPRING PLATE	2	PC.
101		233497-0	COMPRESSION SPRING 15	2	PC.
104		326375-2	COUNTER WEIGHT	2	PC.
105		233497-0	COMPRESSION SPRING 15	2	PC.
106		213953-6	O RING 24	4	PC.
107		141E52-3	HOLDER COMPLETE	2	PC.
108		213231-4	OIL SEAL 15	1	PC.
110		211228-7	BALL BEARING 6202DDW	1	PC.
111		267215-4	FLAT WASHER 15	1	PC.
112		519652-1	ROTOR ASSY	1	PC.

Item No	Type	Part No	Description	Qty	Unit
112		INC.	Item No. 110,111,113		
113		210059-1	BALL BEARING 6000DDW	1	PC.
114		265995-6	TAPPING SCREW 4X18	4	PC.
115		413260-9	BAFFLE PLATE	1	PC.
116		629A27-3	STATOR	1	PC.
117		632R89-4	LEAD UNIT	1	PC.
118		652031-1	PAN HEAD SCREW M3X6	3	PC.
119		620E26-2	CONTROLLER B	1	PC.
120		687B69-9	STOPPER	1	PC.
121		266490-9	TAPPING SCREW PT 2X6	3	PC.
122		454780-4	GUARD 52	1	PC.
123		266041-8	TAPPING SCREW 5X25	2	PC.
124		454763-4	GEAR HOUSING COVER	1	PC.
125		413256-0	MOTOR HOUSING	1	PC.
126		922359-4	H.S.H.BOLT M6X35 WITH WG	2	PC.
127		256380-4	SHOULDER PIN 4-6	2	PC.
128		412985-2	BASE	1	PC.
129		232643-2	TORSION SPRING 13	1	PC.
130		140W48-9	LEVER COMPLETE	1	PC.
131		263046-9	TAPPING SCREW 3X14	2	PC.
132		265995-6	TAPPING SCREW 4X18	2	PC.
133		620E28-8	SENSOR CIRCUIT	1	PC.
134		620E29-6	DIAL CIRCUIT	1	PC.
135		140X97-2	MOTOR HOUSING COVER COMPLETE	1	PC.
135		INC. 422660-2	RUBBER SHEET - not available individually	1	PC.
136		266041-8	TAPPING SCREW 5X25	2	PC.
137		266041-8	TAPPING SCREW 5X25	4	PC.
138		183S32-7	HOUSING SET	1	SET
138		INC. 263005-3	RUBBER PIN 6	8	PC.
138		INC. 347755-9	GUARD RAIL	2	PC.
138		INC. 422646-6	CAP 10	2	PC.
138		INC. 347782-6	PLATE	4	PC.
139		232663-6	COMPRESSION SPRING 8	1	PC.
140		620E27-0	LED CIRCUIT	1	PC.
141		620E25-4	CONTROLLER	1	PC.
142		620E30-1	ACCELEROMETER CIRCUIT	1	PC.
143		256886-2	ROD 3	2	PC.
144		422472-3	SPONGE SLEEVE 3	4	PC.
145		632R98-3	TERMINAL UNIT	2	PC.

Item No	Type	Part No	Description	Qty	Unit
147		232152-1	LEAF SPRING	1	PC.
148		412953-5	TRIGGER LOCK	1	PC.
149		458097-7	SWITCH LEVER	1	PC.
150		232418-9	COMPRESSION SPRING 5	1	PC.
151		651083-9	SWITCH C3XA-1PSPM	1	PC.
153		140F99-0	CAP COMPLETE	1	PC.
153	INC.	213218-6	O RING 16	1	PC.
153	INC.	818H07-8	CAP LABEL	1	PC.
154		265995-6	TAPPING SCREW 4X18	10	PC.
155		8029M5-9	XGT LOGO LABEL	1	PC.
156		811996-8	HR006G SERIAL NO. LABEL	1	PC.
157		811990-0	HR006G NAME PLATE	1	PC.
A01		194683-7	GREASE VESSEL SET	1	PC.
A02		331955-1	DEPTH GAUGE	1	PC.
A03		443122-7	CLOTH	1	PC.
A04		135629-4	STRIGHT SIDE HANDLE 36	1	PC.
A04	INC.	454781-2	SIDE GRIP BASE 90	1	PC.
A04	INC.	158131-0	GRIP 36 COMPLETE	1	PC.
A04	INC.	234226-4	COMPRESSION SPRING 6	1	PC.
A04	INC.	266163-4	CUP SQUARE NECK BOLT M8X80	1	PC.
A04	INC.	313223-4	RACK GUIDE	1	PC.
A04	INC.	344492-6	PLATE	1	PC.
A04	INC.	346750-6	GRIP SPRING 90	1	PC.
A04	INC.	453114-8	LOCK BUTTON	1	PC.
A05		135283-4	SIDE HANDLE 90 (D-STYLE)	1	PC.
A05	INC.	265439-6	HEX. BOLT M8X150	1	PC.
A05	INC.	318430-4	SIDE HANDLE BASE 90A	1	PC.
A05	INC.	318431-2	SIDE HANDLE BASE 90B	1	PC.
A05	INC.	417002-3	SIDE HANDLE CAM	2	PC.
A05	INC.	417003-1	SIDE HANDLE	1	PC.
A05	INC.	951166-8	SPRING PIN 5-24	1	PC.
A05	INC.	252640-2	WING NUT M8	1	PC.
A07		412393-7	BATTERY COVER F/ XGT LI-ION	1	PC.
A09		---	40V MAX LI-ION BATTERY		
A10		---	BATTERY CHARGER		
A11		191N79-7	HAMMER SERVICE KIT	1	PC.
F06		199017-9	DUST EXTRACTOR ATTACHMENT SET	1	PC.
F07		199019-5	DUST EXTRACTOR ATTACHMENT SET	1	PC.