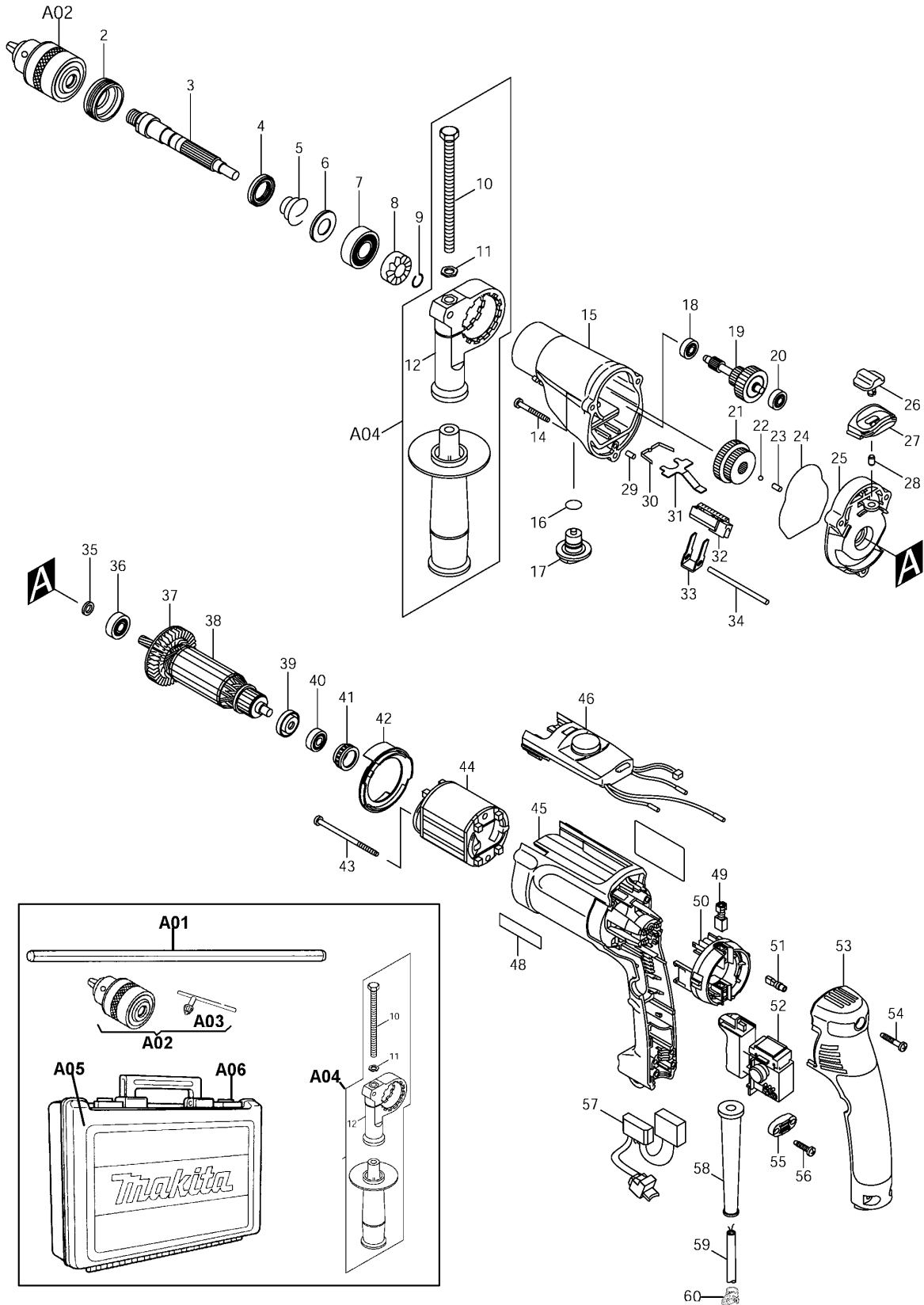
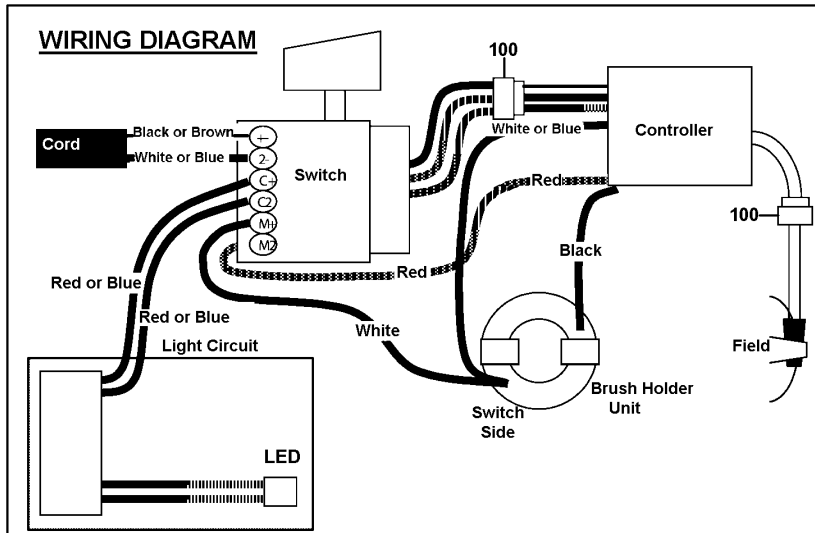




# 3/4" 2-Speed HAMMER DRILL (With Light)

Model HP2070F (MCC)





Repair Tools

- 1R139 - Drill Chuck Extractor
- 1R298 - Hex Bar 10 With Square Socket
- 1R223 - Torque Wrench Shaft
- 1R224 - Ratchet Head
- 1R045 - Gear Extractor (L)
- 1R269 - Bearing Extractor
- 1R316 - Adjustable Retainer Wrench
- 1R004 - Retaining Ring S Pliers
- 1R232 - Pipe 30
- 1R029 - Bearing Setting Pipe 15.2 - 23.0mm
- 1R030 - Bearing Setting Pipe 17.2 - 25mm
- 1R035 - Bearing Setting Plate A=15.2mm
- 781024-2 - Spanner 43
- 042017-7A - Makita Grease N No.1(100g,3.5oz)

Item No.	Part No.	No. Used	Description	Item No.	Part No.	No. Used	Description
2	285839-4	1	Bearing Retainer	38	517461-2	1	Armature Assy (Includes Items 35 - 37, 39 & 40)
3	324247-5	1	Spindle	39	681636-0	1	Insulation Washer
4	213314-0	1	Oil Seal 19	40	211021-9	1	Ball Bearing 607LLB
5	233921-3	1	Conical Compression Spring	41	421494-0	1	Rubber Ring 19
6	345224-4	1	Cup Washer 15	42	418269-6	1	Baffle Plate
7	211206-7	1	Ball Bearing 6202LLB	43	266004-4	2	Tapping Screw 4X70
8	223141-7	1	Cam A	44	633571-8	1	Field
9	233920-5	1	Ring Spring 11	45	183658-1	1	Motor Housing (Includes Item 48)
10	921923-8	1	Hex. Bolt M8X120	46	631533-0	1	Controller
11	345280-4	1	Hex. Washer	48	819063-3	1	Makita Label
12	417630-4	1	Grip Base	49	191927-6	2	Carbon Brush CB-407 ( 2pcs/Set)
14	266053-1	3	Tapping Screw 4X35	50	638236-7	1	Brush Holder Unit
15	153621-8	1	Gear Housing Com.	51	686038-5	2	Receptacle Sleeve
16	213122-9	1	O Ring 12	52	650212-1	1	Switch
17	417805-5	1	Change Lever B	53	418273-5	1	Handle Cover
18	211014-6	1	Ball Bearing 606	54	265999-8	3	Tapping Screw 4X25
19	153622-6	1	Gear Com.	55	687063-9	1	Strain Relief
20	211014-6	1	Ball Bearing 606	56	265995-6	2	Tapping Screw 4X18
21	227030-8	1	Spur Gear 29-37	57	631476-6	1	Light Circuit
22	216001-0	1	Steel Ball 3.5	58	682559-5	1	Cord Guard 8
23	256251-5	1	Pin 4	59	664891-9	1	Cord With Plug 2P-18-2.5M
24	421810-6	1	Seal Ring	60	410102-8	1	Key Holder
25	153620-0	1	Gear Housing Cover Com.	100	654025-2	2	Receptacle
26	418083-0	1	Change Lever A	<b>Accessories</b>			
27	417802-1	1	Lever Case	A01	324219-0	1	Depth Gauge
28	263002-9	1	Rubber Pin 4	A02	193822-6	1	½" Drill Chuck Set(With Item A03)
29	256251-5	1	Pin 4	A03	763440-0	1	Chuck Key
30	232143-2	1	Leaf Spring	A04	134943-5	1	Grip 36 Assy
31	345225-2	1	Lock Plate				(Includes Items 10 - 12)
32	417804-7	1	Rack 12	A05	824650-5	1	Plastic Carrying Case
33	345223-6	1	Change Plate B				(Includes Item A06)
34	268092-7	1	Pin 4	A06	417724-5	2	Latch
35	262087-2	1	Ring 8				
36	210005-4	1	Ball Bearing 608DDW				
37	240065-2	1	Fan 52				