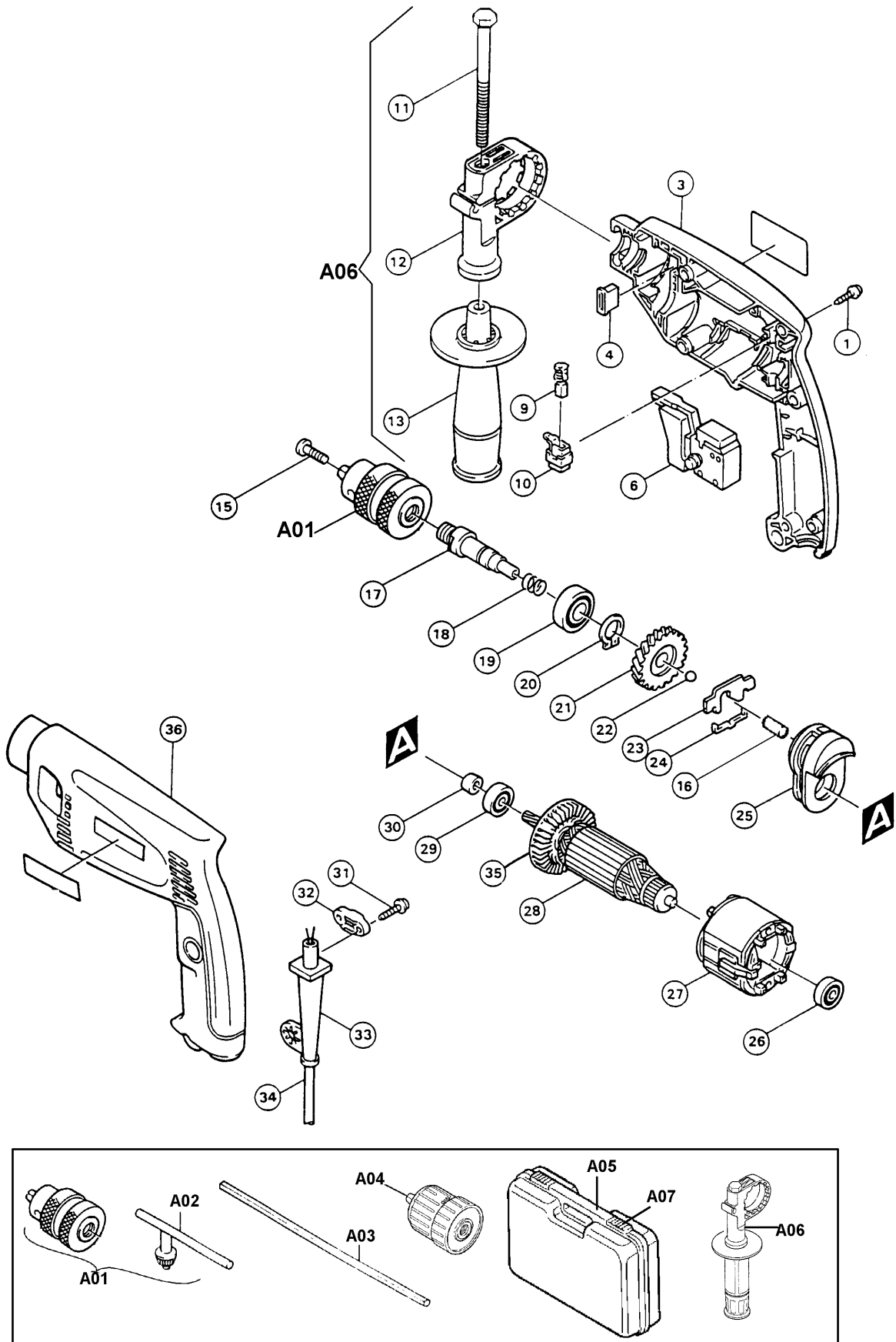




1/2" HAMMER DRILL
1/2" HAMMER DRILL KIT

Model HP1500* (MME)
Model HP1501K(MME)

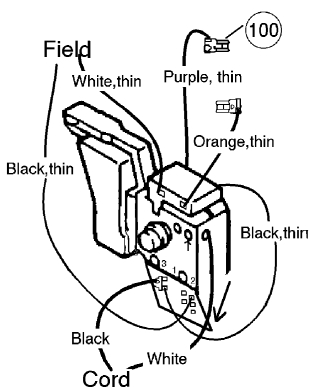


Item No.	Part No.	No. Used	Description	Item No.	Part No.	No. Used	Description
1	265995-6	8	Tapping Screw PT4x18	28	517106-2	1	Armature Assy (Includes Items 26, 29 & 35)
3	*	1	Housing (R)	29	211033-2	1	Ball Bearing 608LB
4	415453-4	2	Change Button	30	262528-8	1	Sleeve 7
6	*	1	Switch	31	265995-6	2	Tapping Screw PT4x18
9	191927-6	2	Carbon Brush CB-407 (2/set)	32	687052-4	1	Strain Relief
10	643936-6	2	Brush Holder (Old 643923-5)	33	682549-8	1	Cord Guard
11	921919-9	1	Bolt M8x110	34	664013-1	1	Cord With Plug 2P-18-2.5
12	415485-1	1	Grip Base	35	241869-5	1	Fan 55
13	152521-9	1	Grip 36 Com. (Old 152489-9) (Includes Hex Nut M8 - 931402-8)	36	*	1	Housing (L)
15	251460-1	1	(-) Flat Screw M6x22(Old 251425-3)	100	654069-2	2	Receptacle
16	256251-5	1	Pin 4 (Added) *	Accessories			
17	*	1	Spindle	A01	*	1	1/2" Drill Chuck & Key Set (HP1500*)
18	233091-8	1	Compression Spring 16	A02	763440-0	1	Chuck Key S13(HP1500*)
19	211201-7	1	Ball Bearing 6002LLB	A03	415486-9	1	Depth Gauge
20	961055-9	1	Retaining Ring S-15	A04	*	1	1/2" Keyless Drill Chuck (HP1501K)
21	226423-6	1	Helical Gear 41	A05	824451-1	1	Plastic Carrying Case (Includes Item A07)
22	*	1	Steel Ball 4.8	A06	192985-5	1	Grip Assy (Includes Items 11 - 13) (Old 152489-0A)
23	*	1	Change Plate	A07	182935-8	2	Slide Lock
24	232134-3	1	Leaf Spring				
25	*	1	Cam Holder Com.				
26	211028-5	1	Ball Bearing 627LB				
27	633301-7	1	Field				

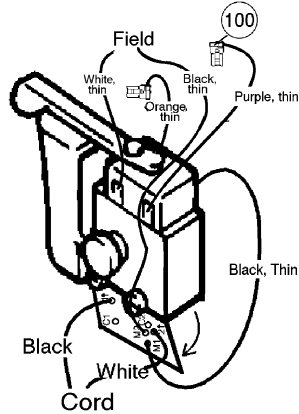
* SEE SERVICE CHANGES

WIRING DIAGRAM

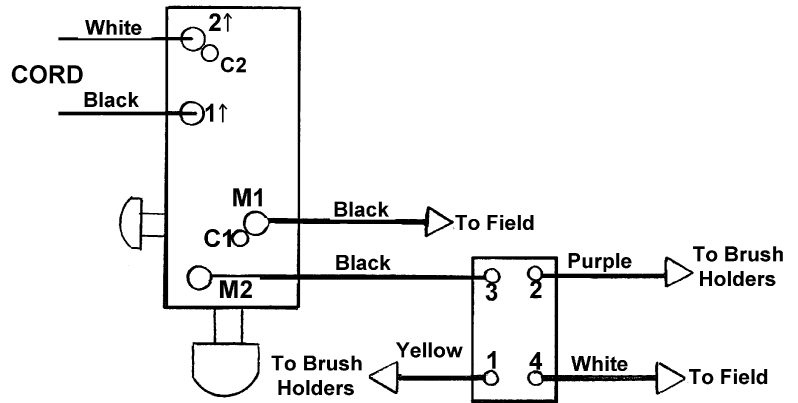
Type 1 (651930-4)



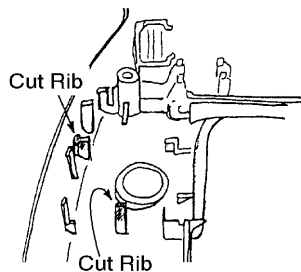
Type 2 (651935-4) & Type 3 (651987-5)



Type 4 (651986-7)



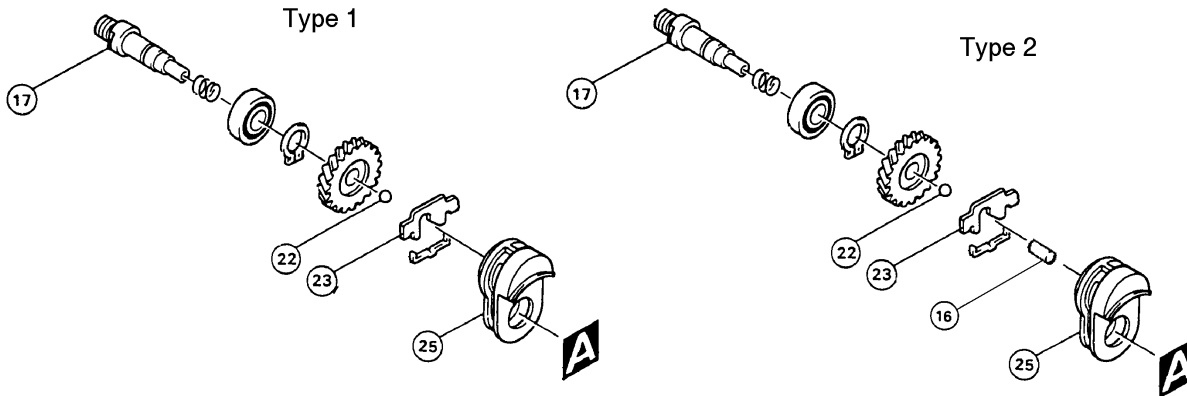
NOTE: When replacing Types 2 & 3
Switch into Type Housing, cut Rib (Depth)
3.0 ~ 4.0mm as follows:



2 Model HP1500*
2 Model HP1501K

SERVICE CHANGES

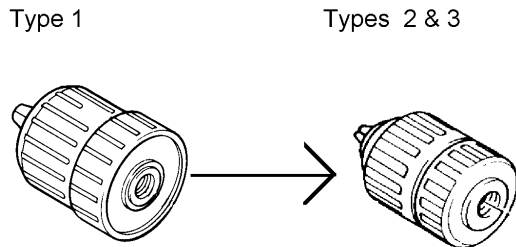
1. Change on Spindle, Cam Holder Com. etc.



Item No.	Description	Type 1	Type 2
16	Pin 4	-----	256251-5 (Added)
17	Spindle	322674-0 (Discontinued)	322900-7
22	Steel Ball 4.8	216002-8	216001-0
23	Change Plate	344112-2 (No Longer Available)	344419-6
25	Cam Holder Com.	152473-4 (No Longer Available)	152529-3

Above parts are completely interchangeable as a set.
 When replacing with Type 2 parts, fill enough grease in the hole of Type 2 Spindle .
 Type 2 Cam Holder Com. now comes with Oil-less Bearing.

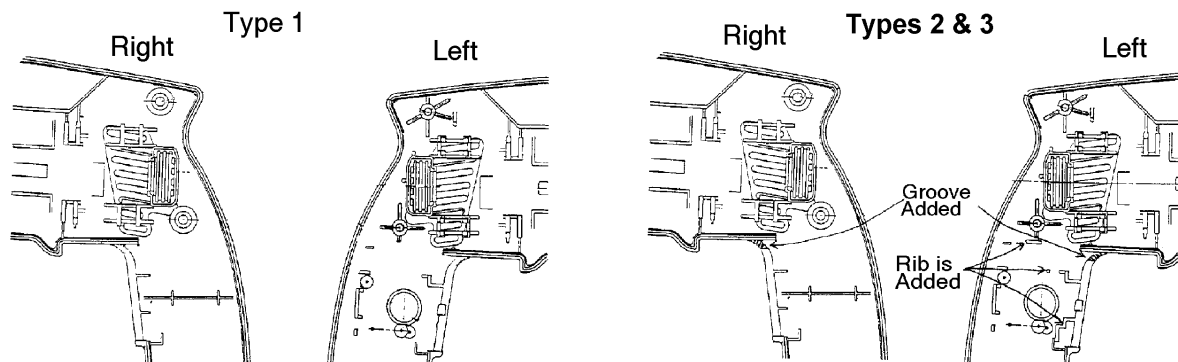
2. Change on Keyless Chuck .



Item No.	Description	Type 1	Type 2	Type 3
17	Spindle	322674-0 (With Screw Hole)	322900-7 (With Screw Hole)	323757-9 (No Hole)
A01	½" Drill Chuck & Key Set (HP1500)	192552-6 (With Screw Hole on Drill Chuck)		192541-1 (No Hole)
A04	½" Keyless Drill Chuck (HP1501K)	192284-5 (With Hole)	192522-5 (With Hole) (No Longer Available)	192692-0 (No Hole)

Tightening Torque for Type 3 Spindle and Drill Chuck: 300 ~ 350 kg / f cm

3. Change on Housing and Switch.



Item No.	Description	Type 1	Type 2	Type 3	Type 4
3	Housing (R)	415484-3	415484-3A		182841-7 (Set)
6	Switch	651930-4 (No Longer Available)	651935-4 (No Longer Available)	651986-7 (651987-5)	
36	Housing (L)	415483-5	415483-5A		182841-7 (Set)
	Serial No.	HP1500	~ 273474G	273475G ~	N/A
		HP1501K	N/A	N/A	N/A

4 Model HP1500*
4 Model HP1501K