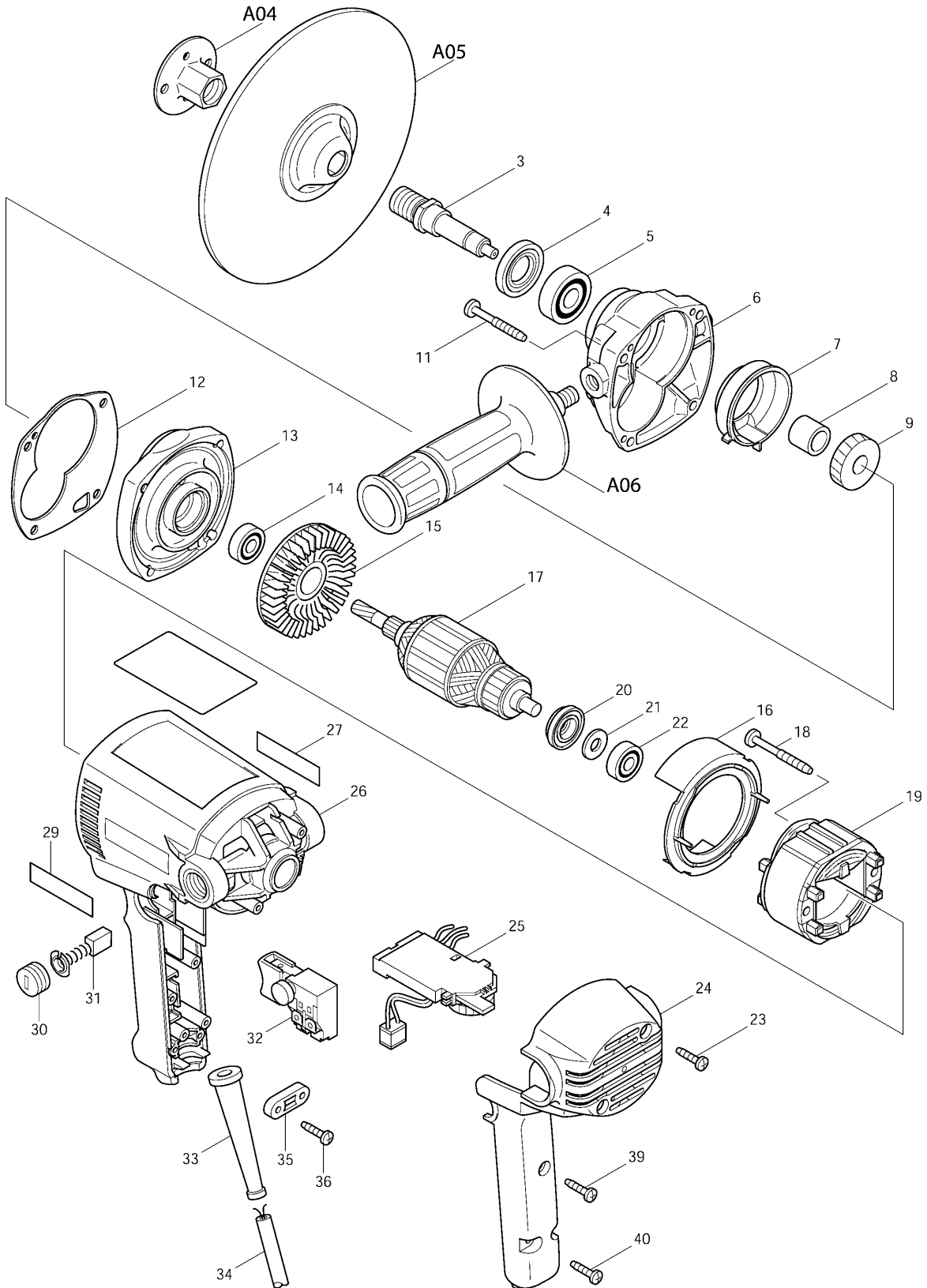
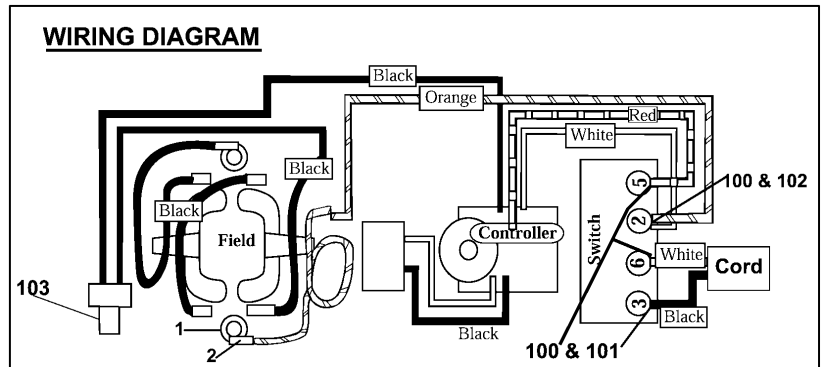
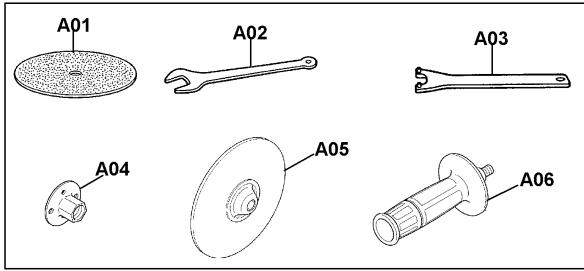




7" DISC SANDER With Electronic Speed Controller Model GV7000C(MJ)





Item No.	Part No.	No. Used	Description	Item No.	Part No.	No. Used	Description
1	654020-2	2	Garter Spring	26	183299-3	1	Motor Housing Set (Includes Items 27 & 29)
2	654501-6	2	Connector P-1.25	27	819063-3	1	Makita Label
3	324081-3	1	Spindle	29	819063-3	1	Makita Label
4	152690-6	1	Bearing Retainer Com. (Includes 213209-7 - Oil Seal 16)	30	643750-0	2	Brush Holder Cap
5	211129-9	1	Ball Bearing 6201DDW	31	191963-2	2	Carbon Brush CB-303 (2pcs/Set)
6	317458-9	1	Gear Housing	32	651297-0	1	Switch
7	417460-3	1	Grease Fence	33	682559-5	1	Cord Guard 8
8	257708-9	1	Sleeve 12	34	664013-1	1	Cord With Plug 2P-18-2.5
9	226537-1	1	Helical Gear 39	35	687063-9	1	Strain Relief
11	266211-9	4	Tapping Screw 5X40	36	265995-6	2	Tapping Screw 4X18
12	442132-1	1	Gasket	39	265995-6	1	Tapping Screw 4X18
13	152809-7	1	Gear Housing Cover Com. (Includes 212016-5 - Needle Bearing 609)	40	265995-6	2	Tapping Screw 4X18
14	210005-4	1	Ball Bearing 608DDW	100	652008-6	4	P.H. Screw M3.5X7
15	240020-4	1	Fan 65	101	654037-5	3	Insulated Eye Terminal RBV1.25-3.5
16	413077-0	1	Baffle Plate	102	654077-3	1	Insulated Eye Terminal FV2-M3
17	516441-5	1	Armature Assy (Includes Items 14, 15 & 20-22)	103	654509-0	1	Closed End Connector 2-SD
18	266056-5	2	Tapping Screw 5x45	Accessories			
19	594396-4	1	Field Assy (Includes Items 1(1pc) & 2 (1pc))	A01	-----	1	7" Abrasive Disc (See Catalogue for Details)
20	681660-3	1	Insulation Washer	A02	781008-0	1	Wrench 17
21	253139-0	1	Flat Washer 8	A03	782412-6	1	Lock Nut Wrench 28
22	210005-4	1	Ball Bearing 608DDW	A04	224517-1	1	Sanding Lock Nut 5/8-48
23	265995-6	2	Tapping Screw 4X18	A05	743012-7	1	Rubber Pad 170
24	417450-6	1	Handle Cover	A06	152491-2	1	Grip 36 Com.
25	631428-7	1	Controller				