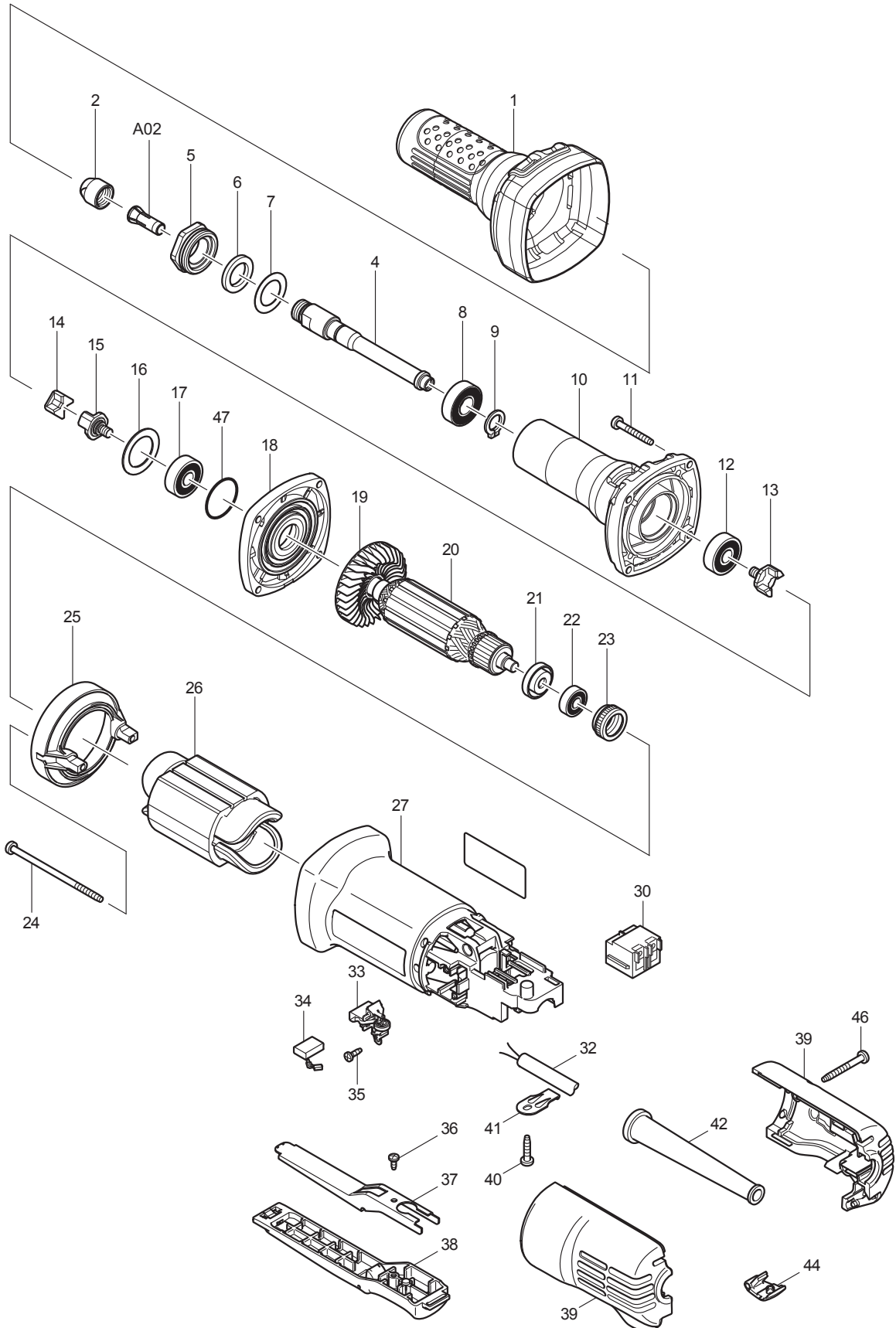




09-2010
GD0600
1/4" DIE GRINDER



Item No.	Type	Sub	Part No.	Description	Qty	Unit
001			421943-7	INSULATION COVER	1	PC.
002			763664-8	COLLET NUT 6	1	PC.
004			324638-0	SPINDLE	1	PC.
005			317999-5	BEARING RETAINER	1	PC.
006			443124-3	FELT RING 17	1	PC.
007			267329-9	FLAT WASHER 18	1	PC.
008			210106-8	BALL BEARING 6001LLB	1	PC.
009			961052-5	RETAINING RING S-12	1	PC.
010			318000-9	BARREL	1	PC.
011			266361-0	TAPPING SCREW 4X30	4	PC.
012			210042-8	BALL BEARING 629LLB	1	PC.
013			324639-8	COUPLING	1	PC.
014			421942-9	SPACER	1	PC.
015			324639-8	COUPLING	1	PC.
016			267126-3	FLAT WASHER 22	1	PC.
017			210042-8	BALL BEARING 629LLB	1	PC.
018			317821-6	GEAR HOUSING COVER	1	PC.
019			240076-7	FAN 56	1	PC.
020			515676-5	ARMATURE ASS'Y 115V	1	PC.
		INC.		Item No. 19,21,22		
021			681636-0	INSULATION WASHER	1	PC.
022			210034-7	BALL BEARING 607LLB	1	PC.
023	1		421868-5	LABYRINTH RUBBER RING 19	1	PC.
	2		422768-2	LABYRINTH RUBBER RING 19	1	PC.
024			266345-8	TAPPING SCREW 4X80	2	PC.
025	2		457791-8	BAFFLE PLATE	1	PC.
026			621721-7	FIELD 115V	1	PC.
		INC.	810139-9	CAUTION LABEL	1	PC.
027	3		143993-9	MOTOR HOUSING COMPLETE	1	PC.
		INC.	810341-4	CAUTION LABEL	1	PC.
		INC.	810139-9	CAUTION LABEL	1	PC.
028			862168-8	NAME PLATE F/ GD0600	1	PC.
030	2		650579-7	SWITCH 1246.3223, SINGLE, BROWN	1	PC.
032			664891-9	CORD WITH PLUG 2P-18-2.5M SJ	1	PC.
033			643760-7	BRUSH HOLDER	2	PC.
034	2		195001-2	CARBON BRUSH CB-325 2PC/SET (W/ ORIGIN)	1	SET
035			266007-8	TAPPING SCREW BIND PT 3X10	4	PC.
036	2		266492-5	TAPPING SCREW 3X8	1	PC.
037			345504-8	PLATE	1	PC.
038			154583-3	SWITCH LEVER A COMPLETE	1	PC.
039	1		183943-2	REAR COVER SET	1	PC.
	2		183U00-2	REAR COVER SET	1	PC.
040			266326-2	TAPPING SCREW 4X18	1	PC.
041			687169-3	STRAIN RELIEF	1	PC.
042			682559-5	CORD GUARD 8	1	PC.
044			419057-4	CAP	1	PC.
046			266351-3	TAPPING SCREW 4X35	2	PC.
047			213445-5	O-RING 26	1	PC.

ACCESSORIES

- See catalogue or visit www.makita.ca for more accessories information -

A01			781039-9	WRENCH 13	2	PC.
A02			763625-8	COLLET CONE 1/4'	1	PC.
		Opt.	763626-6	COLLET CONE 1/8"	1	PC.
A03			192985-5	SIDE HANDLE SET	1	PC.
		INC.	152521-9	GRIP 36 COMPLETE	1	PC.
		INC.	415485-1	GRIP BASE	1	PC.
		INC.	921919-9	HEX. BOLT M8X110	1	PC.
A04			---	ABRASIVE FLAP WHEELS		
A05			---	CARBIDE BURRS		