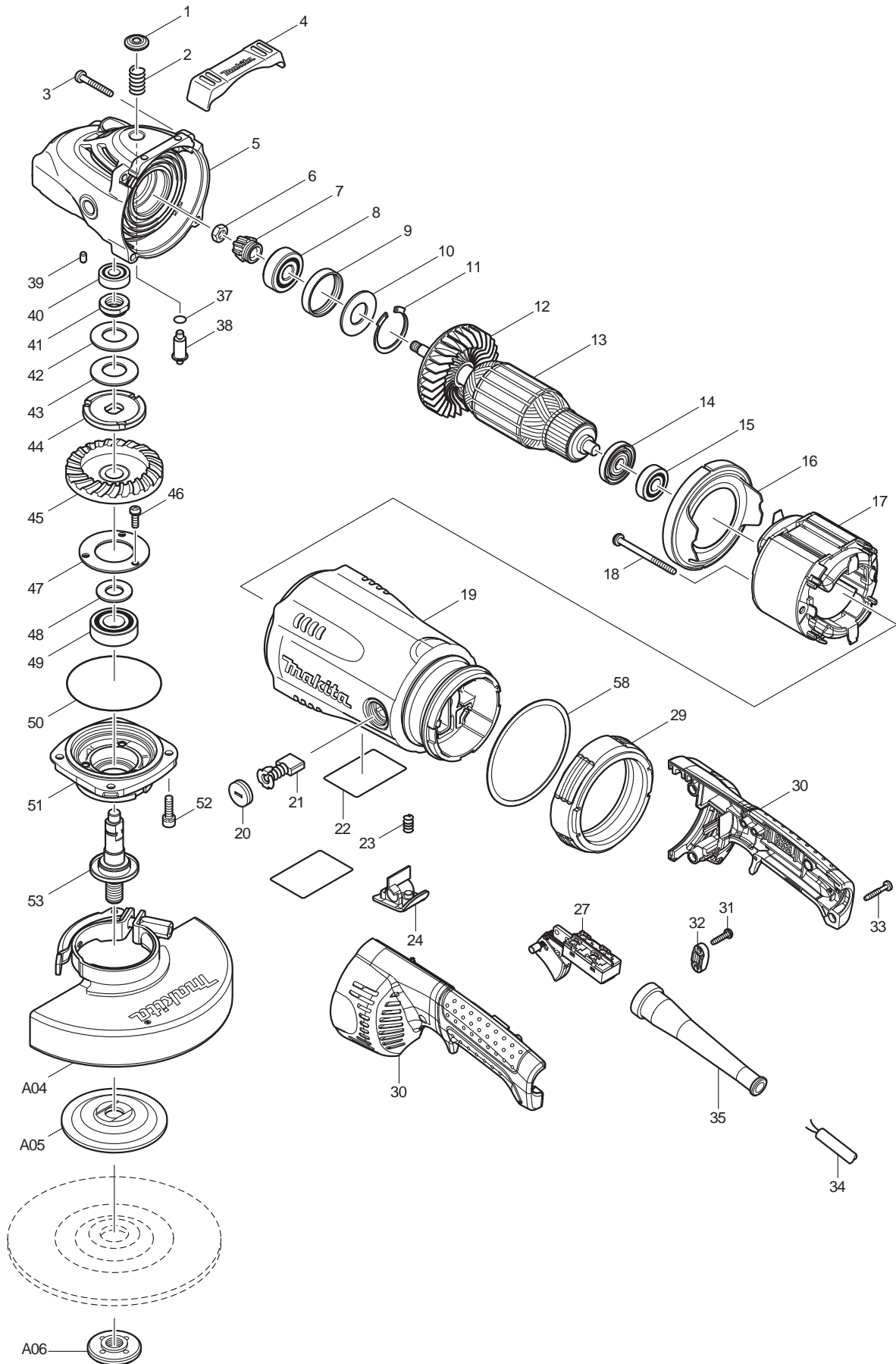




12 - 2010
GA7031Y
7" GRINDER, 2-STAGE



| Item No | Type | Sub | Part No | Description | Qty | Unit |
|---------|------|------|----------|--------------------------------|-----|------|
| 001 | | | 419133-4 | PIN CAP | 1 | PC. |
| 002 | | | 233292-8 | COMPRESSION SPRING 12 | 1 | PC. |
| 003 | | | 266373-3 | TAPPING SCREW 5X35 | 4 | PC. |
| 004 | | | 419144-9 | BUMPER | 1 | PC. |
| 005 | 2 | | 142754-4 | GEAR HOUSING COMPLETE | 1 | PC. |
| | | INC. | 262118-7 | FELT RING 18 | 1 | PC. |
| 006 | | | 252194-9 | HEX. NUT M8 | 1 | PC. |
| 007 | | | 227488-1 | SPIRAL BEVEL GEAR 16 | 1 | PC. |
| 008 | | | 211132-0 | BALL BEARING 6301DDW | 1 | PC. |
| 009 | | | 262085-6 | RUBBER RING 38 | 1 | PC. |
| 010 | | | 267299-2 | FLAT WASHER 20 | 1 | PC. |
| 011 | | | 962211-4 | RETAINING RING R-42 | 1 | PC. |
| 012 | | | 240081-4 | FAN 80 | 1 | PC. |
| 013 | | | 517826-8 | ARMATURE ASS'Y 115V | 1 | PC. |
| | | INC. | ***** | Item No. 12,14,15 | 1 | PC. |
| 014 | | | 681630-2 | INSULATION WASHER | 1 | PC. |
| 015 | | | 211087-9 | BALL BEARING 6200DDW | 1 | PC. |
| 016 | | | 419135-0 | BAFFLE PLATE | 1 | PC. |
| 017 | | | 526206-7 | FIELD ASS'Y 115V | 1 | PC. |
| | | INC. | 654197-3 | RING TERMINAL (Garter Spring) | 2 | PC. |
| | | INC. | 654553-7 | CONNECTOR 34137 | 2 | PC. |
| 018 | 2 | | 266352-1 | TAPPING SCREW 5X65 | 2 | PC. |
| 019 | | | 158083-5 | MOTOR HOUSING COMPLETE | 1 | PC. |
| | | INC. | 643712-8 | BRUSH HOLDER | 2 | PC. |
| | | INC. | 810341-4 | CAUTION LABEL | 1 | PC. |
| 020 | | | 643700-5 | BRUSH HOLDER CAP 7-18 | 2 | PC. |
| 021 | | | 194992-4 | CARBON BRUSH CB-204, 2 PCS/SET | 1 | SET |
| 022 | | | 867255-8 | GA7031Y NAME PLATE | 1 | PC. |
| 023 | | | 233375-4 | COMPRESSION SPRING 7 | 1 | PC. |
| 024 | | | 419260-7 | LOCK BUTTON | 1 | PC. |
| 027 | | | 650105-2 | SWITCH 1269. 0501 | 1 | PC. |
| 029 | | | 421936-4 | VIBRATION PROOF RUBBER | 1 | PC. |
| 030 | | | 188754-0 | HANDLE SET | 1 | SET |
| | | INC. | 421565-3 | SPONGE SHEET | 2 | PC. |
| | | INC. | 423350-0 | SPONGE SHEET | 1 | PC. |
| 031 | 2 | | 265A48-7 | TAPPING SCREW 4X18 | 2 | PC. |
| 032 | | | 687052-4 | STRAIN RELIEF | 1 | PC. |
| 033 | | | 266374-1 | TAPPING SCREW 4X25 | 4 | PC. |
| 034 | | | 664463-0 | CORD W/PLUG 2P-14-2.5M, SJ | 1 | PC. |
| 035 | | | 682560-0 | CORD GUARD 10 | 1 | PC. |
| 037 | | | 213062-1 | O RING 9 | 1 | PC. |
| 038 | | | 256491-5 | SHOULDER PIN 5 | 1 | PC. |
| 039 | | | 263002-9 | RUBBER PIN 4 | 1 | PC. |
| 040 | | | 211062-5 | BALL BEARING 6000ZZ | 1 | PC. |
| 041 | | | 252429-8 | NUT M15-23 | 1 | PC. |
| 042 | | | 232163-6 | CUP SPRING 20 | 1 | PC. |
| 043 | | | 232163-6 | CUP SPRING 20 | 1 | PC. |
| 044 | | | 267798-4 | LOCK WASHER | 1 | PC. |
| 045 | | | 227493-8 | SPIRAL BEVEL GEAR 53D | 1 | PC. |
| 046 | | | 265120-9 | PAN HEAD SCREW M5X16 | 3 | PC. |
| 047 | | | 285724-1 | BEARING RETAINER 50 | 1 | PC. |
| 048 | | | 267167-9 | FLAT WASHER 15 | 1 | PC. |
| 049 | | | 211278-2 | BALL BEARING 6203DDW | 1 | PC. |

| Item No | Type | Sub | Part No | Description | Qty | Unit |
|---------|------|------|----------|-------------------------------|-----|------|
| 050 | | | 213760-7 | O RING 78 | 1 | PC. |
| 051 | 1 | | 317988-0 | * BEARING BOX | 1 | PC. |
| | 2 | | 318377-2 | * BEARING BOX | 1 | PC. |
| 052 | | | 265541-5 | HEX. SOCKET HEAD BOLT M6X22 | 4 | PC. |
| 053 | | | 154787-7 | SPINDLE A COMPLETE | 1 | PC. |
| | | INC. | 345629-8 | LABYRINTH RING 25 | 1 | PC. |
| 058 | | | 261131-2 | NYLON WASHER 89 | 1 | PC. |
| 100 | | | 652039-5 | + BINDING HEAD SCREW M3.5X6.8 | 4 | PC. |
| 101 | | | 654117-7 | INSULATING TERMINAL | 2 | PC. |
| 102 | | | 654200-0 | NON-INSULATED TERMINAL | 2 | PC. |
| 200 | | | 870461-6 | CARTON | 1 | PC. |

ACCESSORIES

| | | | | | | |
|-----|------|--|----------|---|---|-----|
| A01 | 3 | | 194543-3 | VIBRATION PROOF GRIP F/7-9", PKG | 1 | PC. |
| | Opt. | | 152539-0 | GRIP 36 COMPLETE | 1 | PC. |
| A02 | | | 194289-1 | DUST COVER ATTACHMENT SET | 1 | PC. |
| A03 | | | 782412-6 | LOCK NUT WRENCH 28 | 1 | PC. |
| A04 | 1 | | 122767-1 | * TOOLLESS WHEELCOVER ASS'Y F/7" | 1 | PC. |
| | 2 | | 123542-8 | * TOOLLESS WHEELCOVER ASS'Y F/7" | 1 | PC. |
| A05 | | | 224255-5 | INNER FLANGE 78 F/C.O.W COVER | 1 | PC. |
| | | | 224317-9 | INNER FLANGE 89 | 1 | PC. |
| A06 | | | 224568-4 | LOCK NUT 5/8-45 | 1 | PC. |
| A07 | | | 193048-0 | SANDING LOCK NUT 5/8-48, PACKAGED | 1 | PC. |
| A08 | | | 122914-4 | CUT-OFF WHEEL GUARD FOR 7" | 1 | PC. |
| A10 | | | 194684-5 | GRIP ATTACHMENT SET | 1 | PC. |
| A11 | | | ----- | DEPRESSED CENTER GRINDING WHEELS | | |
| A12 | | | 743012-7 | RUBBER PAD 170 | 1 | PC. |
| A13 | | | ----- | 7" ABRASIVE DISC(SEE CATALOGUE) | 1 | PC. |
| A14 | | | 194303-3 | GRINDER DUST GUARD F/7" | 1 | PC. |
| A19 | | | 224305-6 | OUTER FLANGE 78 F/C.O.W COVER (USE WITH 224568-4) | 1 | PC. |

REPAIR TOOL

| | | | | | | |
|-----|--|--|----------|--------------------------------|---|-----|
| B01 | | | 194306-7 | LOCK NUT RELEASE SOCKET 28 SET | 1 | PC. |
|-----|--|--|----------|--------------------------------|---|-----|

SERVICE CHANGES

1. Changes on Bearing Box and Toolless Wheelcover

(TI#B2792)

| Item No. | Description | Type 1 | Type 2 |
|----------|---------------------------|----------|----------|
| 51 | Bearing Box | 317988-0 | 318377-2 |
| A04 | Toolless Wheel Cover Assy | 122767-1 | 123542-8 |
| A08 Opt. | Cut-Off Wheel Guard | ----- | 122914-4 |

Above parts are completely interchangeable as a set.

Type 1

Type 2

