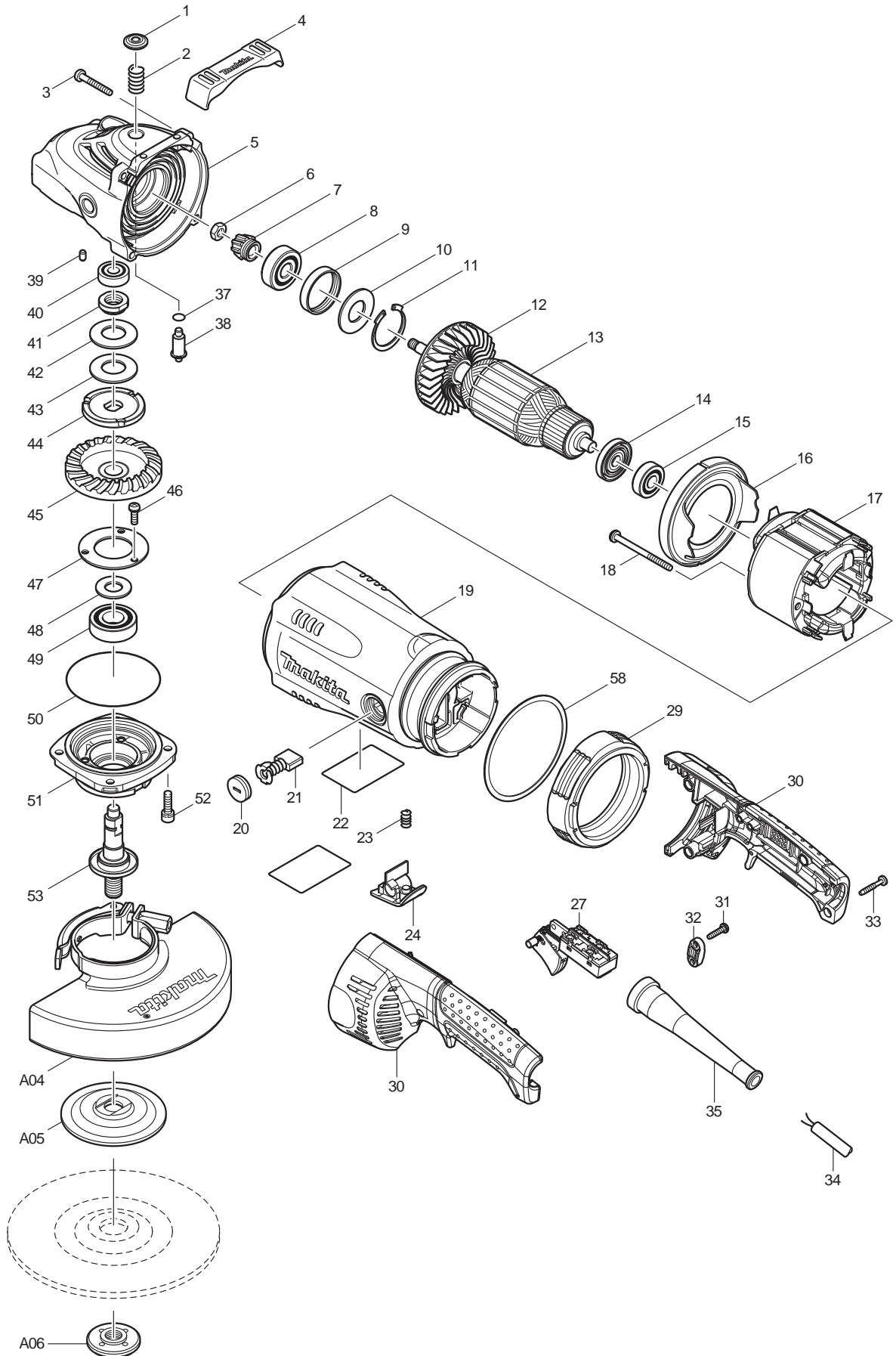




12 - 2010  
GA7031  
7" GRINDER, LOCK-ON



| Item No | Type | Sub  | Part No  | Description                    | Qty | Unit |
|---------|------|------|----------|--------------------------------|-----|------|
| 001     |      |      | 419133-4 | PIN CAP                        | 1   | PC.  |
| 002     |      |      | 233292-8 | COMPRESSION SPRING 12          | 1   | PC.  |
| 003     |      |      | 266373-3 | TAPPING SCREW 5X35             | 4   | PC.  |
| 004     |      |      | 419144-9 | BUMPER                         | 1   | PC.  |
| 005     | 2    |      | 142754-4 | GEAR HOUSING COMPLETE          | 1   | PC.  |
|         |      | INC. | 262118-7 | FELT RING 18                   | 1   | PC.  |
| 006     |      |      | 252194-9 | HEX. NUT M8                    | 1   | PC.  |
| 007     |      |      | 227488-1 | SPIRAL BEVEL GEAR 16           | 1   | PC.  |
| 008     |      |      | 211132-0 | BALL BEARING 6301DDW           | 1   | PC.  |
| 009     |      |      | 262085-6 | RUBBER RING 38                 | 1   | PC.  |
| 010     |      |      | 267299-2 | FLAT WASHER 20                 | 1   | PC.  |
| 011     |      |      | 962211-4 | RETAINING RING R-42            | 1   | PC.  |
| 012     |      |      | 240081-4 | FAN 80                         | 1   | PC.  |
| 013     |      |      | 517826-8 | ARMATURE ASS'Y 115V            | 1   | PC.  |
|         |      | INC. | *****    | Item No. 12, 14, 15            | 1   | PC.  |
| 014     |      |      | 681630-2 | INSULATION WASHER              | 1   | PC.  |
| 015     |      |      | 211087-9 | BALL BEARING 6200DDW           | 1   | PC.  |
| 016     |      |      | 419135-0 | BAFFLE PLATE                   | 1   | PC.  |
| 017     |      |      | 526206-7 | FIELD ASS'Y 115V               | 1   | PC.  |
|         |      | INC. | 654197-3 | RING TERMINAL (Garter Spring)  | 2   | PC.  |
|         |      | INC. | 654553-7 | CONNECTOR 34137                | 2   | PC.  |
| 018     | 2    |      | 266352-1 | TAPPING SCREW 5X65             | 2   | PC.  |
| 019     |      |      | 158083-5 | MOTOR HOUSING COMPLETE         | 1   | PC.  |
|         |      | INC. | 643712-8 | BRUSH HOLDER                   | 2   | PC.  |
|         |      | INC. | 810341-4 | CAUTION LABEL                  | 1   | PC.  |
| 020     |      |      | 643700-5 | BRUSH HOLDER CAP 7-18          | 2   | PC.  |
| 021     |      |      | 194992-4 | CARBON BRUSH CB-204, 2 PCS/SET | 1   | SET  |
| 022     |      |      | 867254-0 | GA7031 NAME PLATE              | 1   | PC.  |
| 023     |      |      | 233375-4 | COMPRESSION SPRING 7           | 1   | PC.  |
| 024     |      |      | 419260-7 | LOCK BUTTON                    | 1   | PC.  |
| 027     |      |      | 650104-4 | SWITCH 1269. 0201              | 1   | PC.  |
| 029     |      |      | 421936-4 | VIBRATION PROOF RUBBER         | 1   | PC.  |
| 030     |      |      | 188754-0 | HANDLE SET                     | 1   | SET  |
|         |      | INC. | 421565-3 | SPONGE SHEET                   | 2   | PC.  |
|         |      | INC. | 423350-0 | SPONGE SHEET                   | 1   | PC.  |
| 031     | 2    |      | 265A48-7 | TAPPING SCREW 4X18             | 2   | PC.  |
| 032     |      |      | 687052-4 | STRAIN RELIEF                  | 1   | PC.  |
| 033     |      |      | 266374-1 | TAPPING SCREW 4X25             | 4   | PC.  |
| 034     |      |      | 664463-0 | CORD W/PLUG 2P-14-2.5M, SJ     | 1   | PC.  |
| 035     |      |      | 682560-0 | CORD GUARD 10                  | 1   | PC.  |
| 037     |      |      | 213062-1 | O RING 9                       | 1   | PC.  |
| 038     |      |      | 256491-5 | SHOULDER PIN 5                 | 1   | PC.  |
| 039     |      |      | 263002-9 | RUBBER PIN 4                   | 1   | PC.  |
| 040     |      |      | 211062-5 | BALL BEARING 6000ZZ            | 1   | PC.  |
| 041     |      |      | 252429-8 | NUT M15-23                     | 1   | PC.  |
| 042     |      |      | 232163-6 | CUP SPRING 20                  | 1   | PC.  |
| 043     |      |      | 232163-6 | CUP SPRING 20                  | 1   | PC.  |
| 044     |      |      | 267798-4 | LOCK WASHER                    | 1   | PC.  |
| 045     |      |      | 227493-8 | SPIRAL BEVEL GEAR 53D          | 1   | PC.  |
| 046     |      |      | 265120-9 | PAN HEAD SCREW M5X16           | 3   | PC.  |
| 047     |      |      | 285724-1 | BEARING RETAINER 50            | 1   | PC.  |
| 048     |      |      | 267167-9 | FLAT WASHER 15                 | 1   | PC.  |
| 049     |      |      | 211278-2 | BALL BEARING 6203DDW           | 1   | PC.  |

| Item No                   | Type | Sub  | Part No  | Description  | Qty | Unit |
|---------------------------|------|------|----------|--|-----|------|
| 050                       |      |      | 213760-7 | O RING 78  | 1   | PC.  |
| 051                       | 1    |      | 317988-0 | * BEARING BOX  | 1   | PC.  |
|                           | 2    |      | 318377-2 | * BEARING BOX  | 1   | PC.  |
| 052                       |      |      | 265541-5 | HEX. SOCKET HEAD BOLT M6X22                          | 4   | PC.  |
| 053                       |      |      | 154787-7 | SPINDLE A COMPLETE                                   | 1   | PC.  |
|                           |      | INC. | 345629-8 | LABYRINTH RING 25                                    | 1   | PC.  |
| 058                       |      |      | 261131-2 | NYLON WASHER 89                                      | 1   | PC.  |
| 059                       |      |      | 819357-6 | CLEAR LABEL  | 1   | PC.  |
| 100                       |      |      | 652039-5 | + BINDING HEAD SCREW M3.5X6.8                        | 4   | PC.  |
| 101                       |      |      | 654117-7 | INSULATING TERMINAL                                  | 2   | PC.  |
| 102                       |      |      | 654200-0 | NON-INSULATED TERMINAL                               | 2   | PC.  |
| 200                       |      |      | 870461-6 | CARTON   | 1   | PC.  |
| <b><u>ACCESSORIES</u></b> |      |      |          |  |     |      |
| A01                       |      |      | 152539-0 | GRIP 36 COMPLETE                                     | 1   | PC.  |
| A01                       | 3    |      | 194543-3 | VIBRATION PROOF GRIP F/7-9", PKG                     | 1   | PC.  |
| A02                       |      |      | 194289-1 | DUST COVER ATTACHMENT SET                            | 1   | PC.  |
| A03                       |      |      | 782412-6 | LOCK NUT WRENCH 28                                   | 1   | PC.  |
| A04                       | 1    |      | 122767-1 | * TOOLLESS WHEELCOVER ASS'Y F/7"                     | 1   | PC.  |
|                           | 2    |      | 123542-8 | * TOOLLESS WHEELCOVER ASS'Y F/7"                     | 1   | PC.  |
| A05                       |      |      | 224255-5 | INNER FLANGE 78 F/C.O.W COVER                        | 1   | PC.  |
| A05                       |      |      | 224317-9 | INNER FLANGE 89                                      | 1   | PC.  |
| A06                       |      |      | 224568-4 | LOCK NUT 5/8-45                                      | 1   | PC.  |
| A07                       |      |      | 193048-0 | SANDING LOCK NUT 5/8-48, PACKAGED                    | 1   | PC.  |
| A08                       |      |      | 122914-4 | CUT-OFF WHEEL GUARD FOR 7"                           | 1   | PC.  |
| A10                       |      |      | 194684-5 | GRIP ATTACHMENT SET                                  | 1   | PC.  |
| A11                       |      |      | ----     | 7" D.C.W. (SEE CATALOGUE)                            | 1   | PC.  |
| A11                       |      |      | -----    | DEPRESSED CENTER GRINDING WHEELS                     |     |      |
| A12                       |      |      | 743012-7 | RUBBER PAD 170(5/8")                                 | 1   | PC.  |
| A13                       |      |      | ----     | 7" ABRASIVE DISC (SEE CATALOGUE)                     | 1   | PC.  |
| A14                       |      |      | 194303-3 | GRINDER DUST GUARD F/7"                              | 1   | PC.  |
| A19                       |      |      | 224305-6 | OUTER FLANGE 78 F/C.O.W COVER (Use with Item No.A06) | 1   | PC.  |
| <b><u>REPAIR TOOL</u></b> |      |      |          |  |     |      |
| B01                       |      |      | 194306-7 | LOCK NUT RELEASE SOCKET 28 SET                       | 1   | PC.  |

**SERVICE CHANGES**

**1. Changes on Bearing Box and Toolless Wheelcover**

(TI#B2792)

| Item No. | Description               | Type 1   | Type 2   |
|----------|---------------------------|----------|----------|
| 51       | Bearing Box               | 317988-0 | 318377-2 |
| A04      | Toolless Wheel Cover Assy | 122767-1 | 123542-8 |
| A08 Opt. | Cut-Off Wheel Guard       | -----    | 122914-4 |

Above parts are completely interchangeable as a set.

**Type 1**

**Type 2**

