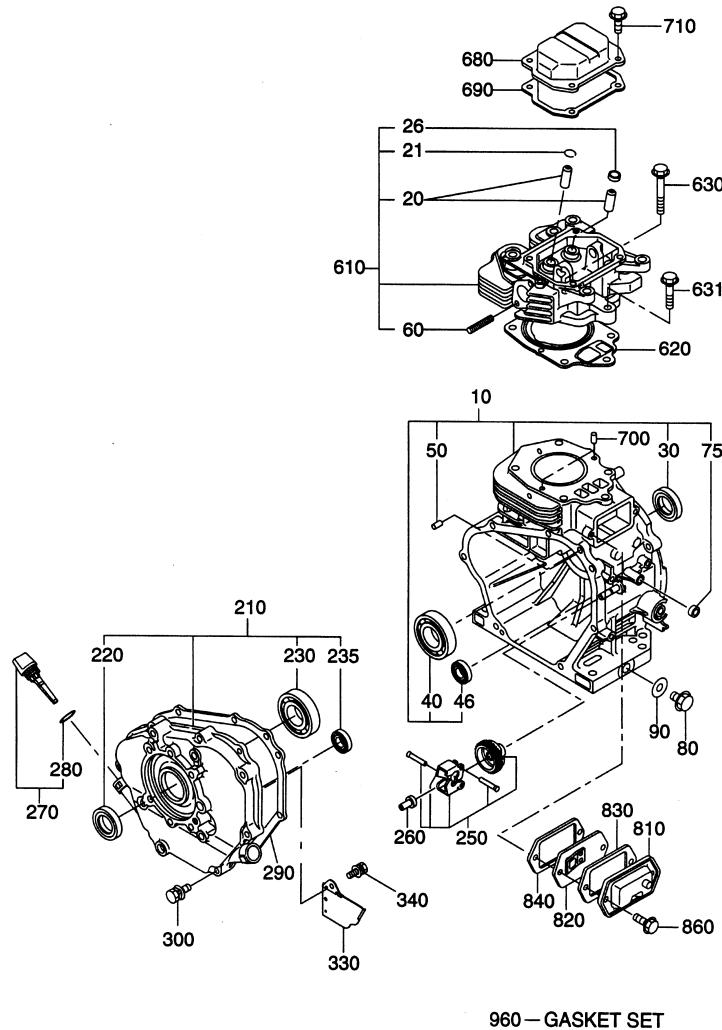


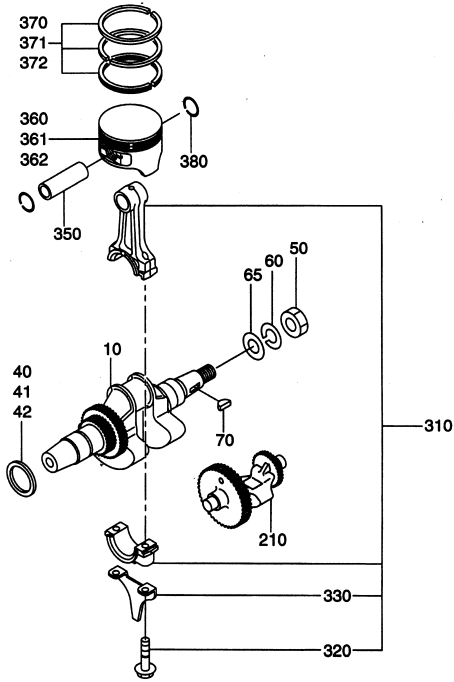
**CRANKCASE**



960 – GASKET SET

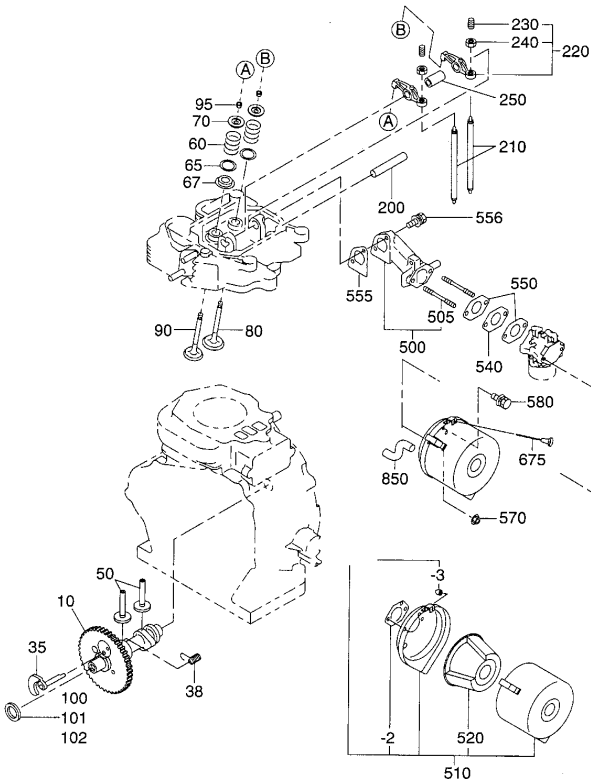
Item No.	Part No.	No. Used	Description	Item No.	Part No.	No. Used	Description
10	247-10102-31	1	CRANKCASE CP	280	021-32000-50	1	GASKET
20	246-14202-03	2	VALVE GUIDE	290	246-15101-13	1	GASKET (BEARING COVER)
21	056-51000-50	1	CLIP	300	001-13084-00	7	BOLT & WASHER ASSY
26	132-07AA0-50	1	SEAL-INT VALVE	330	246-17501-03	1	SHELTER PLATE
30	044-03500-90	1	OIL SEAL	340	015-20600-50	1	TAPPING BOLT
40	060-03500-10	1	BALL BEARING	610	247-13101-41	1	CYLINDER HEAD CP
46	060-01500-10	1	BALL BEARING	620	247-15001-23	1	GASKET (HEAD) T=0.2
50	031-00600-20	2	DOWEL PIN	630	011-01000-40	4	FLANGE BOLT
60	010-50802-90	2	STUD	631	011-01000-20	1	FLANGE BOLT
75	044-00800-10	1	OIL SEAL	680	246-15501-01	1	ROCKER COVER CP
80	040-11400-30	2	PLUG	690	246-16002-13	1	GASKET (ROCKER COVER)
90	021-11400-20	2	GASKET	700	031-00600-20	2	DOWEL PIN
210	246-11001-41	1	MAIN BEARING COVER	710	011-00600-20	4	FLANGE BOLT
220	044-03500-90	1	OIL SEAL	810	246-14301-01	1	BREATHER COVER CP
230	060-03500-10	1	BALL BEARING	820	246-14401-01	1	BREATHER PLATE CP
235	060-01500-10	1	BALL BEARING	830	246-16006-03	1	GASKET (BREATHER COVER)
250	246-45001-01	1	GOVERNOR GEAR CP	840	246-16007-13	1	GASKET (BREATHER PLATE)
260	205-41901-03	1	GOVERNOR SLEEVE	860	011-00600-30	2	FLANGE BOLT
270	224-63601-01	1	OIL GAUGE CP	960	247-99002-17	1	GASKET SET

### CRANKSHAFT, PISTON



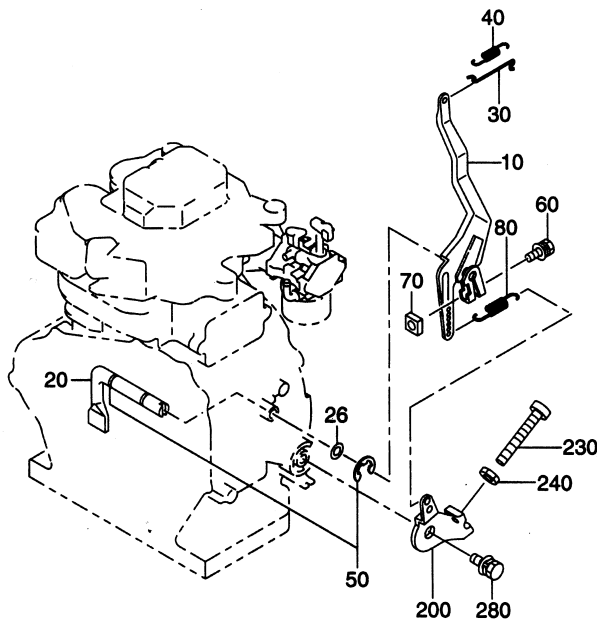
Item No.	Part No.	No. Used	Description
10	246-20701-01	1	CRANKSHAFT CP
40	023-03501-60	1	SPACER
41	023-03501-70	1	SPACER
42	023-03501-80	1	SPACER
50	002-18180-00	1	NUT
60	003-20180-00	1	SPRING WASHER
65	003-10180-00	1	WASHER
70	005-32054-01	1	WOODRUFF KEY
210	246-24102-23	1	BALANCER SHAFT
310	246-22501-00	1	CONNECTING ROD ASSY 102CDX31B 38D-21D
320	246-23001-13	2	CONNECTING ROD BOLT
330	246-23101-13	1	OIL SCRAPER
350	246-23301-03	1	PISTON PIN
360	247-23401-13	1	PISTON, STD
361	247-23402-13	1	PISTON, 0.25 O.S.
362	247-23403-13	1	PISTON, 0.50 O.S.
370	247-23501-A7	1	PISTON RING SET, STD
371	247-23502-27	1	PISTON RING SET, 0.25 O.S.
372	247-23503-27	1	PISTON RING SET, 0.50 O.S.
380	056-52100-20	2	CLIP

### INTAKE EXHAUST



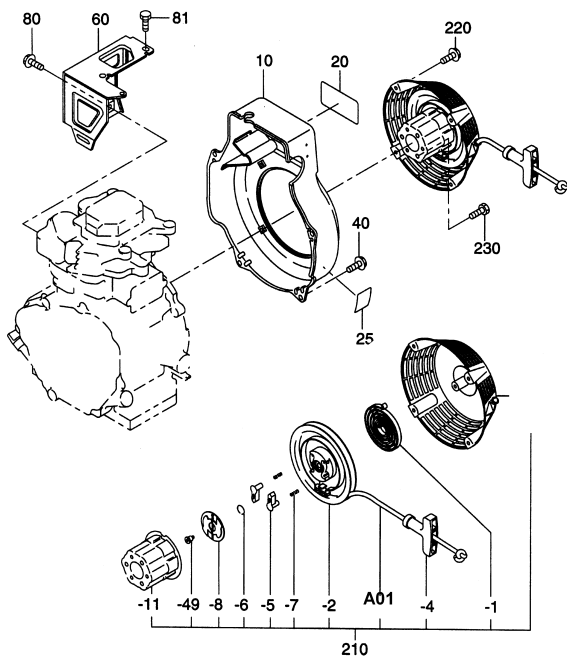
Item No.	Part No.	No. Used	Description
10	246-31701-01	1	CAMSHAFT CP
35	246-36201-11	1	RELEASE LEVER CP
38	246-36701-03	1	RETURN SPRING
50	246-33301-03	2	TAPPET
60	246-33611-03	2	VALVE SPRING
65	020-02000-10	1	WASHER
67	263-35341-03	1	RETAINER PLATE
70	246-33711-13	2	SPRING RETAINER
80	263-33401-03	1	INTAKE VALVE
90	263-33502-13	1	EXHAUST VALVE
95	246-35501-03	4	COLLET-VALVE
100	023-02200-50	1	SPACER 22.2DX32.5DX0.6T
101	023-02200-60	1	SPACER 22.2DX32.5DX0.7T
102	023-02200-70	1	SPACER 22.2DX32.5DX0.8T
200	239-35001-03	1	ROCKER SHAFT
210	246-35301-11	2	PUSH ROD CP
220	246-36101-10	2	ROCKER ARM ASSY
230	014-90800-21	2	ADJUSTING SCREW
240	017-00800-90	2	NUT
250	246-36120-13	1	SPACER (ROCKER SHAFT)
500	246-33001-01	1	INTAKE PIPE CP
505	010-50602-30	2	STUD
510	270-32611-00	1	AIR CLEANER ASSY (INCLUDES ITEMS 510-2 & 510-3)
510-2	234-36003-08	1	PACKING
510-3	207-32690-08	1	GROMMET
520	255-32601-07	1	ELEMENT SET
540	246-32901-03	1	INSULATOR
550	234-35902-03	2	GASKET 2 (INSULATOR)
555	246-36001-13	1	GASKET (IN. PIPE)
556	001-13082-80	3	BOLT & WASHER ASSY
570	002-38060-00	2	FLANGE NUT
580	001-10061-20	1	BOLT & WASHER ASSY
675	246-45006-01	1	KNOB CP
850	246-10801-13	1	RUBBER PIPE

## GOVERNOR OPERATION



Item No.	Part No.	No. Used	Description
10	246-42304-11	1	GOVERNOR LEVER CP
20	246-42201-23	1	GOVERNOR SHAFT
26	003-11080-00	1	WASHER
30	234-42703-11	1	GOVERNOR ROD
40	246-42801-13	1	ROD SPRING
50	003-13060-00	2	CLIP
60	001-14062-50	1	BOLT & WASHER ASSY
70	018-60600-20	1	NUT
80	246-42501-23	1	GOVERNOR SPRING
200	246-43310-03	1	SPEED CONTROL
230	004-31053-50	1	SCREW, PAN HEAD
240	002-17050-00	1	NUT
280	001-10081-60	1	BOLT & WASHER ASSY

## COOLING, STARTING

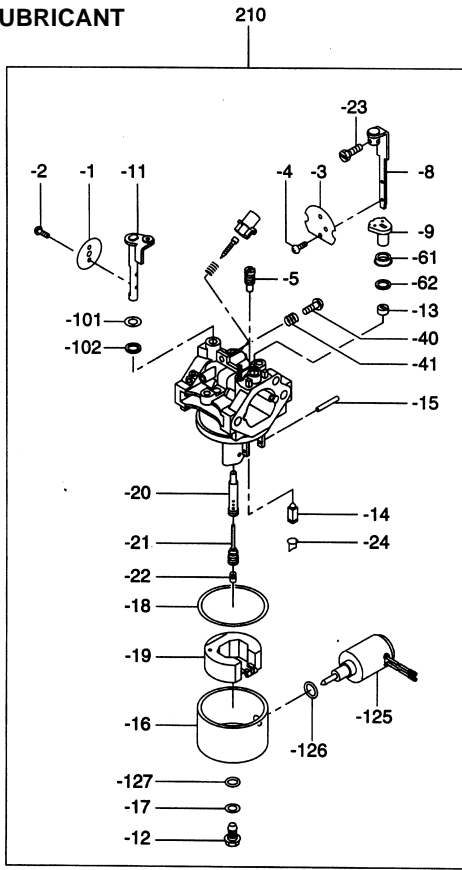


Item No.	Part No.	No. Used	Description
10	246-51215-01	1	BLOWER HOUSING CP
20	073-20050-01	1	LABEL (MAKITA)
25	073-20039-00	1	LABEL (WARNING)
40	011-00600-10	4	FLANGE BOLT
60	246-52706-03	1	CYLINDER BAFFLE
80	011-00600-10	2	FLANGE BOLT
81	001-65101-60	2	BOLT
210	246-50201-30	1	RECOIL STARTER ASSY (INCLUDES ITEMS 210-1, 210-2, 210-4 ~ 210-8, 210-11, 210-49 & A01)
210-1	261-50115-08	1	SPIRAL SPRING
210-2	246-50120-08	1	REEL
210-4	261-50100-08	1	STARTER KNOB
210-5	246-50125-08	2	RATCHET
210-6	246-50130-08	1	FRICTION SPRING
210-7	227-50135-08	2	RETURN SPRING
210-8	246-50160-08	1	RATCHET GUIDE
210-11	246-50147-08	1	STARTER PULLEY
210-49	227-50152-08	1	SET SCREW
220	011-00600-10	4	FLANGE BOLT
230	001-65081-20	3	BOLT

### ACCESSORIES

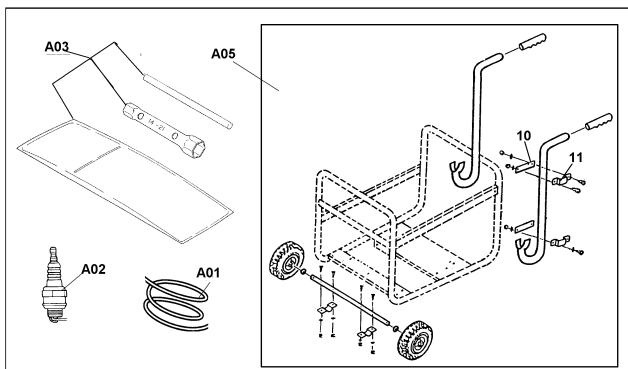
A01	226-50113-08	1	STARTER ROPE
-----	--------------	---	--------------

**FUEL, LUBRICANT**



Item No.	Part No.	No. Used	Description
210	247-62325-20	1	CARBURETOR ASSY (INCLUDES ITEMS 210-1 ~ 210-5 , 210-8, 210-9, 210-11~ 210-24, 210-40, 210- 41, 210-61, 210-62, 210-101, 210-102 & 210-125 ~ 210-127)
210-1	213-62535-08	1	THROTTLE VALVE
210-2	209-62351-08	2	SCREW
210-3	234-62525-08	1	CHOKE VALVE
210-4	237-62451-08	2	SCREW
210-5	247-62420-08	1	PILOT JET
210-8	234-62521-08	1	LEVER ASSY (CHOKE)
210-9	239-62560-08	1	RING (CHOKE)
210-11	246-62531-08	1	THROTTLE SHAFT - A
210-12	248-62425-08	1	JET HOLDER
210-13	226-62550-08	1	RING
210-14	224-62312-18	1	NEEDLE VALVE - A
210-15	214-62515-08	1	PIN
210-16	254-62554-08	1	FLOAT BODY A
210-17	248-62451-08	1	WASHER
210-18	206-62540-08	1	CHAMBER PACKING
210-19	234-62506-08	1	FLOAT ASSY
210-20	246-62441-08	1	MAIN NOZZLE
210-21	246-62425-08	1	GUIDE HOLDER
210-22	246-62403-08	1	MAIN JET
210-23	246-62455-08	1	BOLT
210-24	224-62569-18	1	CLIP
210-40	246-62435-08	1	ADJUST SCREW
210-41	209-62445-08	1	SPRING
210-61	247-62550-08	1	CAP (CHOKE)
210-62	236-62680-08	1	SEAL
210-101	156-62351-08	1	PACKING
210-102	106-62392-08	1	SEAL
210-125	247-62562-08	1	SOLENOID -A
210-126	247-62565-08	1	WASHER
210-127	242-62313-08	1	O-RING

**Accessories**

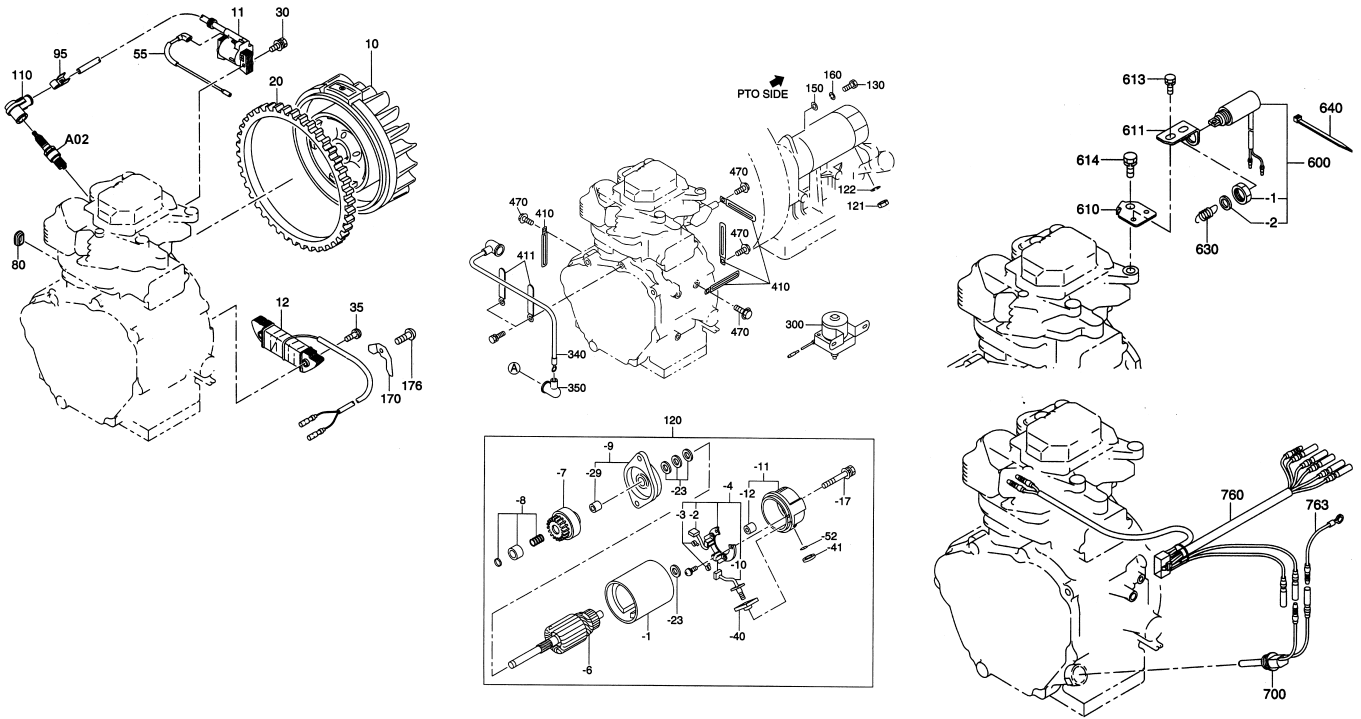


Item No.	Part No.	No. Used	Description
10	110004G2	4	Back Plate
11	110004G1	4	Bracket

**ACCESSORIES**

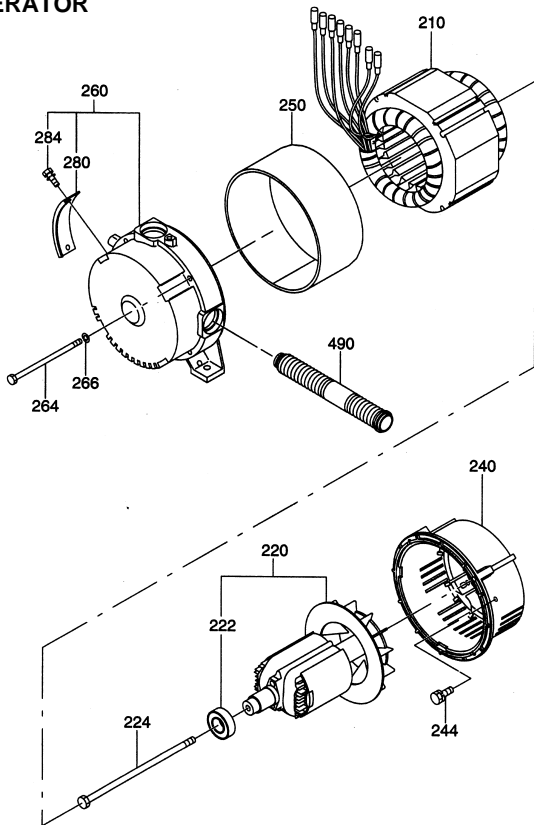
A01	226-50113-08	1	STARTER ROPE
A02	065-01405-80	1	SPARK PLUG
A03	227-90301-10	1	ACCESSORY TOOL KIT
A04	110003-A	1	LIFTING HOOK(PHOTO N/A)
A05	110004-A	1	WHEEL KIT (INCLUDES ITEMS 10 & 11)

**ELECTRIC DEVICE**



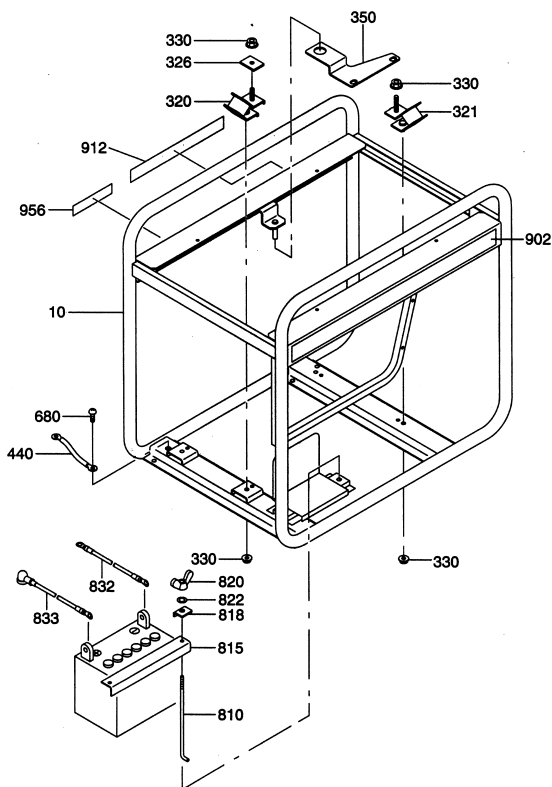
Item No.	Part No.	No. Used	Description	Item No.	Part No.	No. Used	Description
10	246-77204-01	1	FLYWHEEL CP	120-52	246-70580-08	1	O RING
11	246-78201-21	1	IGNITION COIL CP	121	002-27060-00	1	NUT
12	246-79201-01	1	CHARGE COIL CP	122	003-20060-00	1	SPRING WASHER
20	246-71002-03	1	RING GEAR	130	214-79007-01	2	BOLT CP, STARTER
30	001-14063-00	2	BOLT & WASHER ASSY	150	003-10080-00	2	WASHER
35	004-35062-00	2	SCREW & WASHER ASSY	160	003-20080-00	2	SPRING WASHER
55	246-73101-01	1	WIRE 1 CP	170	246-75502-01	1	CLAMP CP
80	226-75501-03	1	GROMMET	176	004-31060-80	1	SCREW, PAN HEAD
95	065-90000-10	1	PLUG TERMINAL	300	214-77002-10	1	MAGNETIC SWITCH
110	065-50001-40	1	SPARK PLUG CAP	340	390-54455-08	1	BATTERY CORD (+)
120	246-70501-00	1	STARTING MOTOR ASSY (INCLUDES ITEMS 120-1 ~ 120-4, 120-6 ~ 120-12, 120-17, 120-23, 120-29, 120-40, 120-41 & 120-52)	350	214-78501-03	1	WIRE CASING
120-1	235-70560-08	1	YOKE ASSY	410	056-60002-50	4	CLAMP
120-2	235-70535-08	1	BRUSH (+)	411	056-60002-60	2	CLAMP
120-3	235-70545-08	2	SPRING (BRUSH)	470	011-00600-10	4	FLANGE B BOLT
120-4	235-70530-08	1	HOLDER ASSY (BRUSH)	600	227-75501-00	1	SOLENOID ASSY (INCLUDES ITEMS 600-1 & 600-2)
120-6	235-70550-08	1	ARMATURE ASSY	600-1	227-75501-08	1	NUT
120-7	246-70521-08	1	PISTON ASSY	600-2	227-75502-08	1	WASHER
120-8	246-70571-08	1	STOPPER SET, PINION	610	246-76005-01	1	BRACKET (SOLENOID) 1 CP
120-9	246-70500-08	1	COVER ASSY, FRONT	611	246-76007-01	1	BRACKET (SOLENOID) 2 CP
120-10	235-70540-08	1	BRUSH (-)	613	001-11061-00	2	BOLT & WASHER ASSY
120-11	246-70505-08	1	COVER ASSY, REAR	614	001-13102-00	1	BOLT & WASHER ASSY
120-12	113-70510-08	1	CASE, METAL	630	234-78202-13	1	SPRING (SOLENOID)
120-17	235-70575-08	2	THROUGH BOLT	640	056-30000-40	1	WIRE BAND
120-23	235-70555-08	1	WASHER KIT	700	KS3-11012-01	1	OIL S CONT CP
120-29	214-70560-08	1	FRONT, METAL	760	246-73119-11	1	WIRE 19 CP
120-40	235-70565-08	1	M BUSH (1)	763	253-73103-01	1	WIRE 3 CP
120-41	235-70566-08	1	M BUSH (2)				
				<b>ACCESSORIES</b>			
	A02		065-01405-80	1	SPARK PLUG		

## GENERATOR



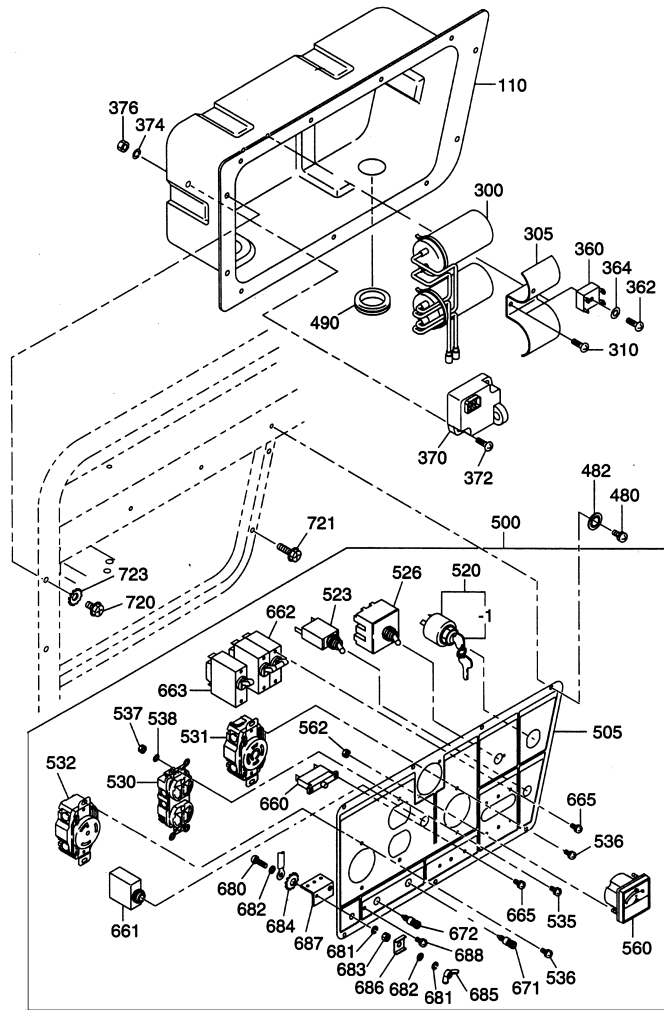
Item No.	Part No.	No. Used	Description
210	31D-51122-01	1	STATOR CP
220	31D-51010-01	1	ROTOR CP
222	35C-55001-01	1	BEARING
224	355-58009-08	1	THROUGH BOLT
240	354-54116-08	1	FRONT BRACKET
244	001-15082-00	4	BOLT & WASHER ASSY
250	31D-51023-01	1	STATOR COVER
260	31D-51022-01	1	REAR BRACKET
264	31D-51025-01	4	COVER BOLT
266	003-20080-00	4	SPRING WASHER
280	354-54513-08	1	BRUSH COVER
284	353-59943-08	2	SCREW & WASHER ASSY
490	391-29000-13	1	BUSHING

## PIPE FRAME



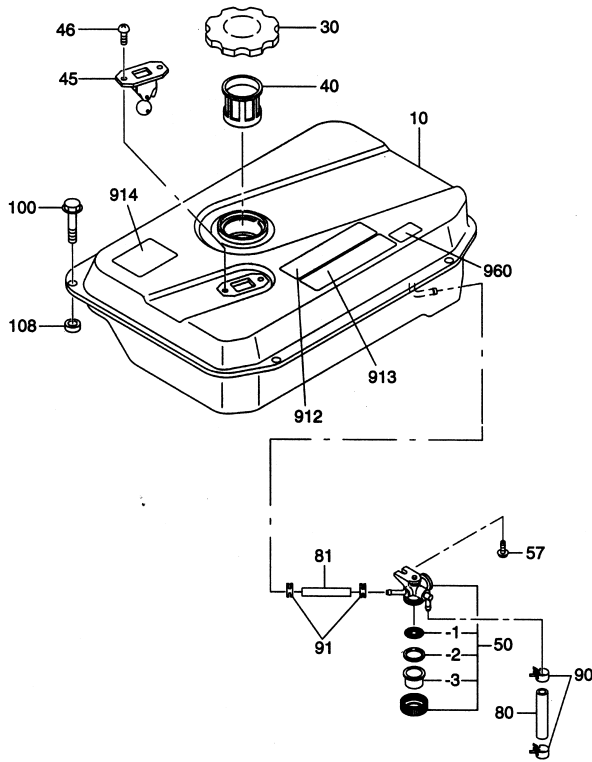
Item No.	Part No.	No. Used	Description
10	31D-61117-01	1	PIPE FRAME CP
320	31D-35001-01	2	MOUNT CP
321	31D-35002-01	2	MOUNT CP
326	31C-69001-01	2	SPACER
330	002-38080-00	8	FLANGE NUT
350	31D-69101-01	1	STOPPER PLATE
440	31C-82160-03	1	EARTH CORD
680	392-49987-08	1	SCREW
810	353-59921-08	2	BOLT
815	385-54382-08	1	BATTERY ANGLE
818	385-54416-08	2	BATTERY SUPPORT
820	31C-69004-03	2	WIND NUT
822	003-20060-00	2	SPRING WASHER
832	31D-69002-03	1	BATTERY CORD
833	31D-69001-13	1	BATTERY CORD
902	31D-83111-03	1	LABEL (MODEL)
912	31D-82154-03	1	LABEL (CAUTION, SPEC)
956	073-20048-60	1	LABEL (HOT & GAS)

# CONTROL BOX



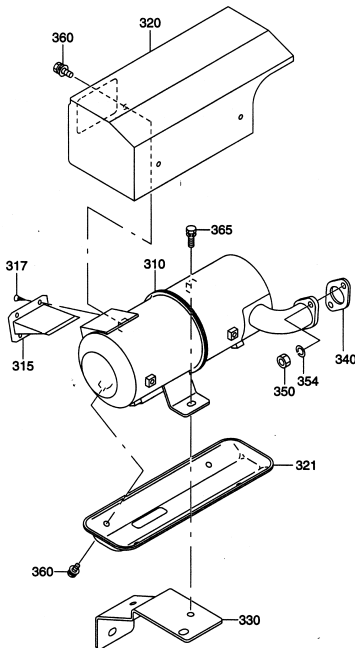
Item No.	Part No.	No. Used	Description	Item No.	Part No.	No. Used	Description
110	31D-42201-01	1	CONTROL BOX CP	536	356-59937-08	4	SCREW
300	390-47578-08	1	CONDENSER CP	537	002-17040-00	2	NUT
305	31C-75001-03	1	CONDENSER BRACKET	538	003-10040-00	2	WASHER
310	353-49904-08	1	TAPPING SCREW	560	391-47900-11	1	AC VOLT METER
360	353-45804-08	2	DIODE STACK ASSY	562	388-49801-08	2	NUT
362	31B-79001-03	2	TAPPING SCREW	660	31B-73012-03	1	BREAKER
364	003-10040-00	2	WASHER	661	31C-73008-03	1	CIRCUIT BREAKER
370	KU3-11047-01	1	IDLE & F. CUT C/U CP	662	31D-73006-03	1	BREAKER
372	004-31062-00	2	SCREW	663	390-45673-08	1	CIRCUIT BREAKER
374	003-20060-00	2	SPRING WASHER	665	31B-79011-03	8	SCREW & WASHER ASSY
376	002-17060-00	2	NUT	671	363-45701-08	1	TERMINAL BOLT
480	353-49904-08	6	TAPPING SCREW	672	363-45700-08	1	TERMINAL BOLT
482	31B-79003-03	2	LOCK WASHER	680	31D-79001-03	1	SCREW
490	389-89001-03	1	GROMMET	681	332-00050-08	2	SPRING WASHER
500	31D-72068-00	1	CONTROL PANEL ASSY	682	353-49903-08	2	WASHER
505	31D-72058-01	1	PANEL A CP	683	353-49902-08	1	NUT
520	066-00003-30	1	SWITCH (INCLUDES ITEM 520-1)	684	372-59950-08	1	LOCK WASHER
520-1	066-00099-80	2	KEY, SWITCH	685	353-49901-08	1	WING NUT
523	389-45671-08	1	SWITCH ASSY	686	31D-79002-03	1	CAP WASHER
526	31D-73009-03	1	SWITCH ASSY	687	31D-79003-03	1	PLATE
530	31G-75020-03	1	AC RECEPTACLE	688	31B-79011-03	1	SCREW & WASHER ASSY
531	353-45724-08	1	AC RECEPTACLE	720	31B-79012-03	2	BOLT & WASHER ASSY
532	380-45749-08	1	AC RECEPTACLE	721	31B-79013-03	2	BOLT & WASHER ASSY
535	004-35041-00	2	SCREW & WASHER ASSY	723	372-59950-08	2	LOCK WASHER

## FUEL TANK



Item No.	Part No.	No. Used	Description
10	31D-36013-01	1	FUEL TANK CP
30	043-05900-11	1	FUEL TANK CAP ASSY
40	064-15400-11	1	FUEL FILTER
45	064-80003-00	1	FUEL GAUGE CP
46	014-50500-40	2	SCREW (COUNTER HEAD)
50	064-20107-00	1	FUEL STRAINER ASSY (INCLUDES ITEMS 50-1 ~ 50-3)
50-1	064-20002-20	1	FILTER
50-2	064-20002-30	1	GASKET
50-3	064-20107-10	1	CUP
57	011-00600-30	1	FLANGE BOLT
80	085-10605-70	1	RUBBER PIPE(210L)
81	085-10601-80	1	RUBBER PIPE(80L)
90	056-11100-20	2	HOSE CLAMP
91	056-11100-20	2	HOSE CLAMP
100	011-00602-20	4	FLANGE BOLT
108	391-39000-13	4	RUBBER WASHER
912	377-92500-03	1	LABEL (CAUTION)(EN)
913	389-59384-08	1	LABEL (CAUTION)(FR)
914	33B-97102-13	1	LABEL (CAUTION)
960	31G-81027-03	1	LABEL (NOISE)

## MUFFLER



Item No.	Part No.	No. Used	Description
310	31D-11004-01	1	MUFFLER CP
315	31D-14001-01	1	SPARK ARRESTER CP
317	015-00400-40	4	TAPPING SCREW
320	31D-12001-01	1	MUFFLER COVER 1
321	31D-13001-03	1	MUFFLER COVER 2
330	31D-61125-01	1	MUFFLER STAY
340	270-35201-01	1	GASKET CP (MUFFLER)
350	017-00800-30	1	NUT
354	003-20080-00	1	SPRING WASHER
360	001-11061-00	8	BOLT & WASHER ASSY
365	001-15082-00	4	BOLT & WASHER ASSY