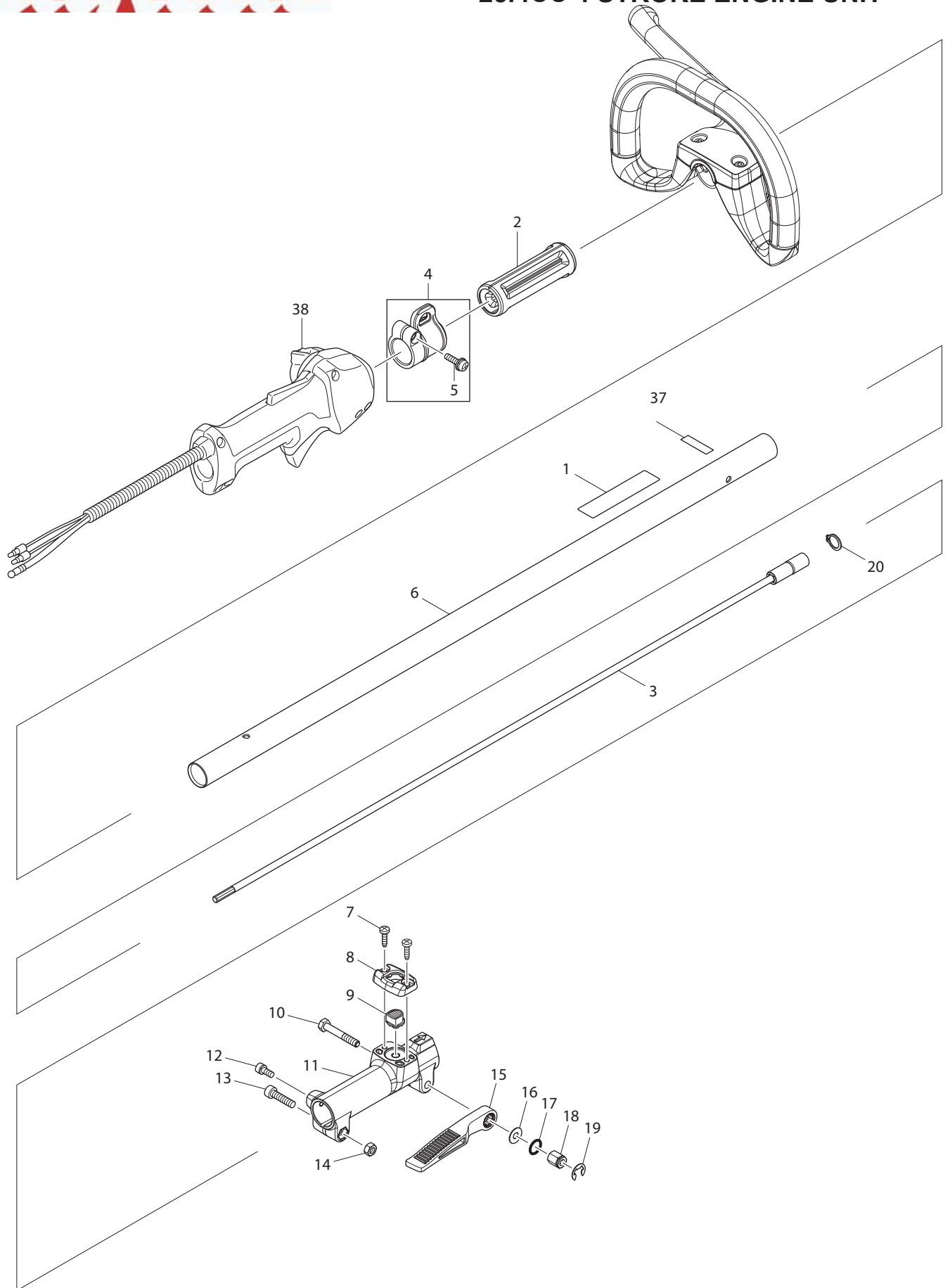
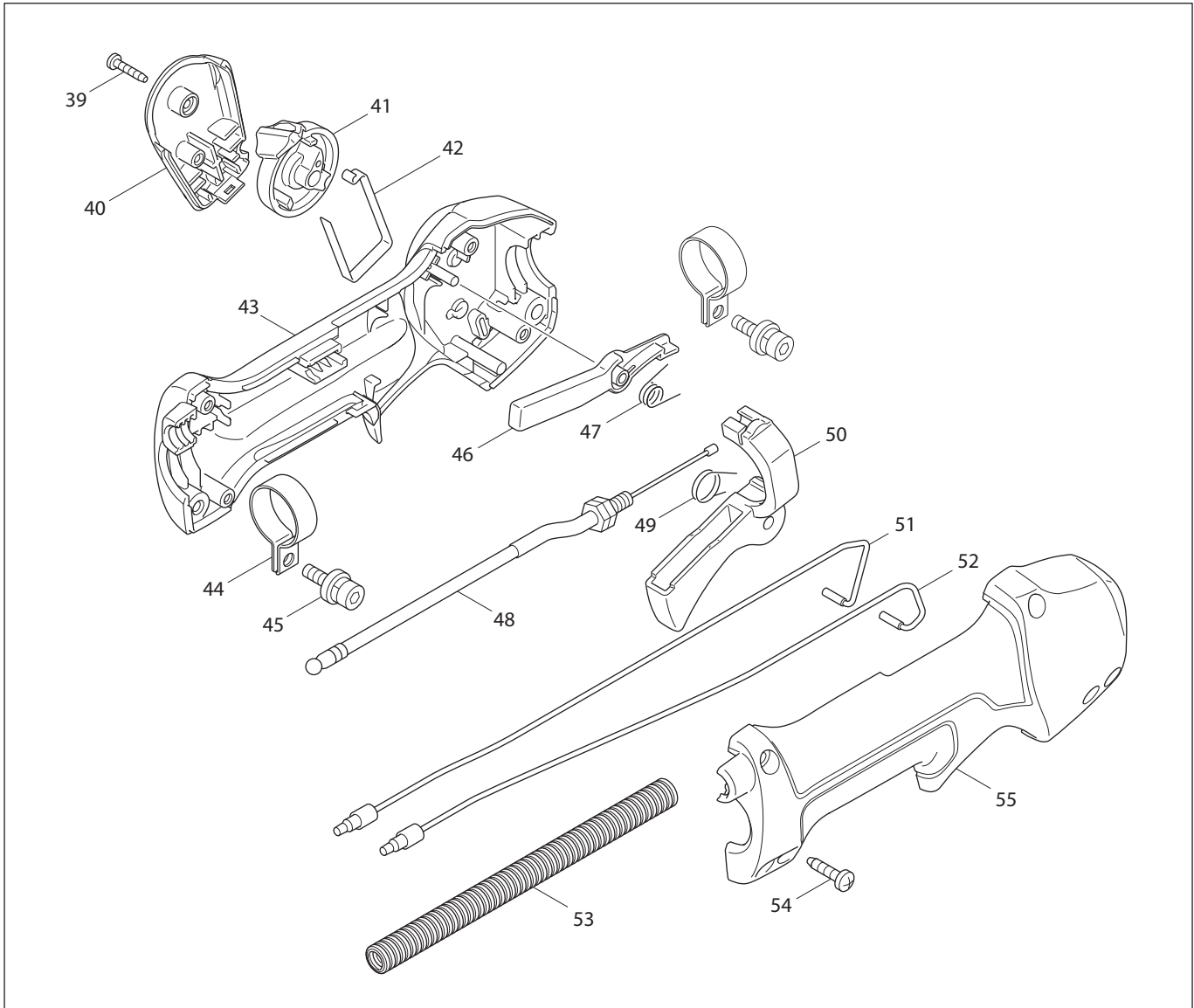


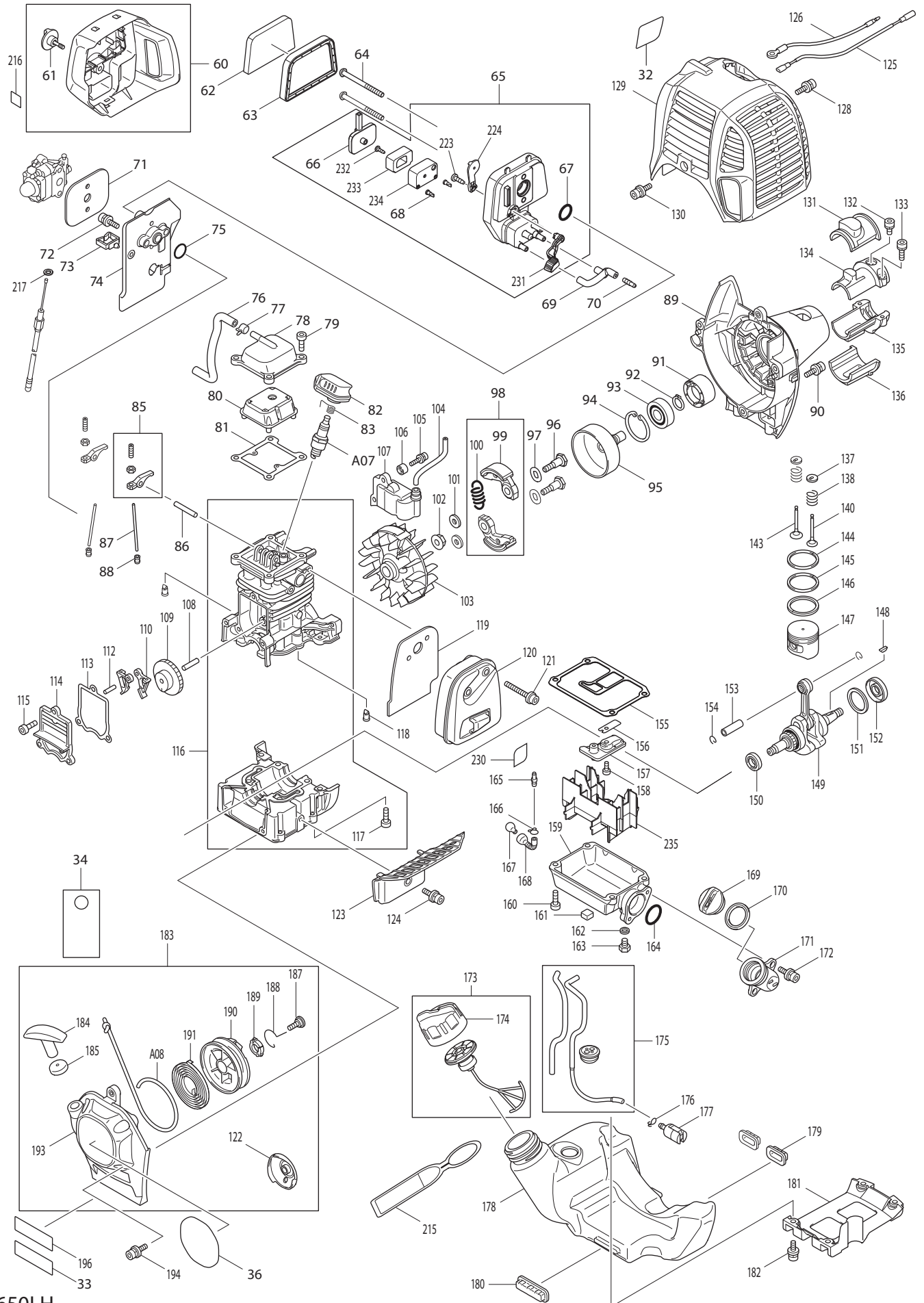


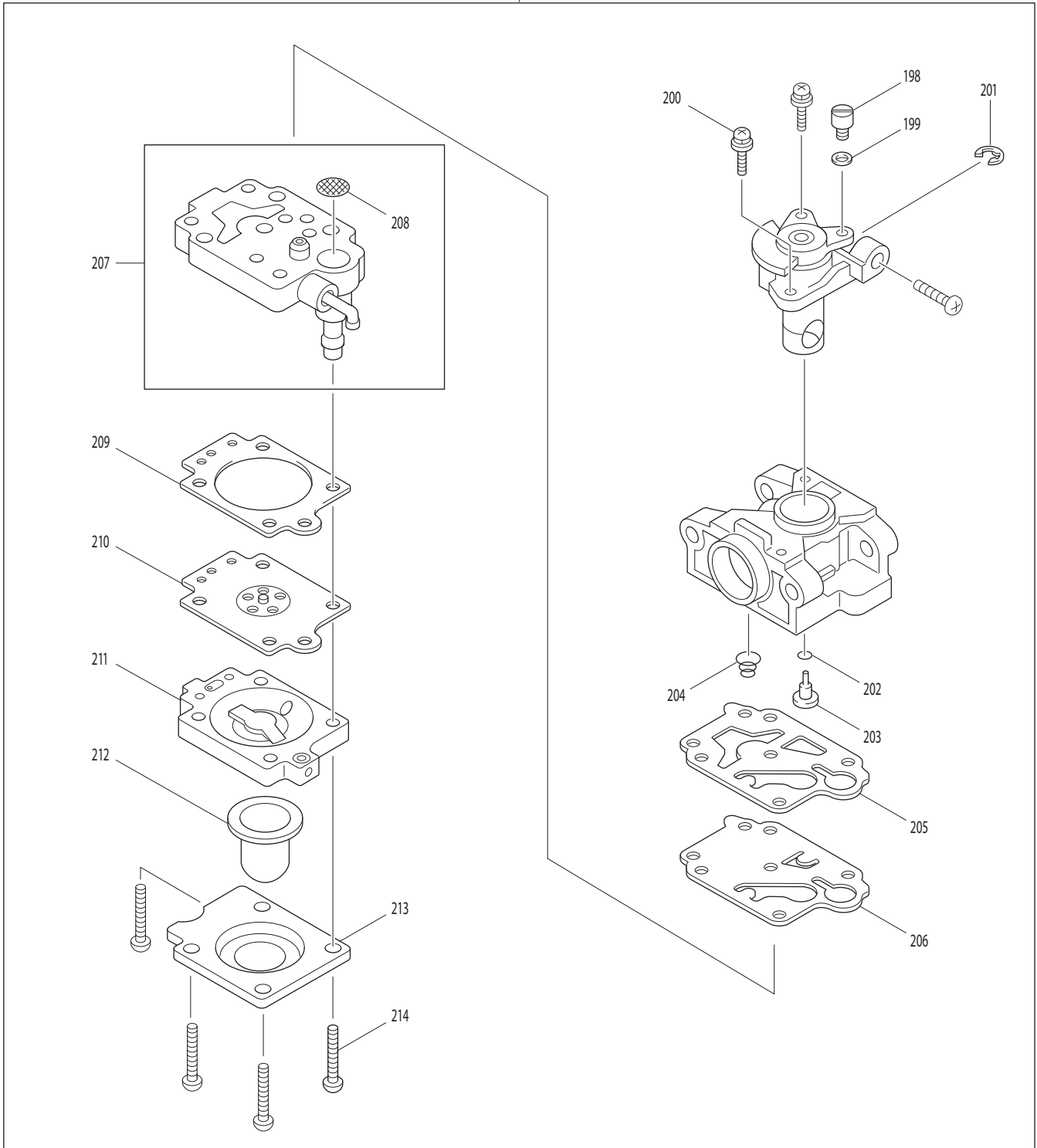
03 - 2012
EX2650LH
25.4CC 4 STROKE ENGINE UNIT





38





| Item No | Type | Sub | Part No. | Description | Qty | Unit |
|---------|------|------|----------|----------------------------------|-----|------|
| 001 | | | 893761-7 | CAUTION LABEL | 1 | PC. |
| 002 | | | 451601-1 | SPACER 24 | 1 | PC. |
| 003 | | | 141238-9 | SHAFT B COMPLETE | 1 | PC. |
| 004 | | | 195143-2 | HANGER SET | 1 | PC. |
| | | INC. | | Item No. 5 | | |
| 005 | | | 911233-1 | PAN HEAD SCREW M5X20 | 1 | PC. |
| 006 | | | 141008-6 | SHAFT PIPE B COMPLETE | 1 | PC. |
| 007 | | | 266034-5 | TAPPING SCREW CT 4X16 | 2 | PC. |
| 008 | | | 452840-6 | RELEASE BUTTON COVER | 1 | PC. |
| 009 | | | 452839-1 | RELEASE BUTTON | 1 | PC. |
| 010 | | | 265596-0 | HEX.BOLT M6X40 | 1 | PC. |
| 011 | | | 318750-6 | JOINT 24 | 1 | PC. |
| 012 | | | 922211-6 | HEX. SOCKET HEAD BOLT M5X12 | 1 | PC. |
| 013 | | | 922342-1 | HEX. SOCKET HEAD BOLT M6X25 | 1 | PC. |
| 014 | | | 931302-2 | HEX. NUT M6 | 1 | PC. |
| 015 | | | 272268-0 | LEVER 94 | 1 | PC. |
| 016 | | | 253332-6 | THIN WASHER 6 | 1 | PC. |
| 017 | | | 213105-9 | O RING 11 | 1 | PC. |
| 018 | | | 252159-1 | HEX. NUT M6 | 1 | PC. |
| 019 | | | 961014-3 | STOP RING E-8 | 1 | PC. |
| 020 | | | 961052-5 | RETAINING RING S-12 | 1 | PC. |
| 033 | | | 816567-6 | SERIAL NO. LABEL | 1 | PC. |
| 034 | | | 819432-8 | CAUTION TAG (10 LANGUAGES) | 1 | PC. |
| 036 | | | 893751-0 | EX2650LH MODEL NO. LABEL | 1 | PC. |
| 037 | 3 | | 814E64-6 | SERIAL NO. LABEL | 1 | PC. |
| 038 | 2 | | 126488-7 | CONTROL LEVER ASSEMBLY | 1 | PC. |
| | | INC. | | Item No. 39-54 | | |
| 039 | | | 266130-9 | TAPPING SCREW BIND PT 3X16 | 1 | PC. |
| 040 | | | 451595-0 | SWITCH COVER | 1 | PC. |
| 041 | | | 451594-2 | SWITCH LEVER | 1 | PC. |
| 042 | | | 232251-9 | LEAF SPRING | 1 | PC. |
| 043 | | | 188832-6 | LEVER CASE SET | 1 | PC. |
| 044 | | | 346248-3 | CLAMP 24 | 2 | PC. |
| 045 | | | 922218-2 | H.S.H.BOLT M5X14 WITH WR | 2 | PC. |
| 046 | | | 451593-4 | LOCK LEVER | 1 | PC. |
| 047 | | | 233541-3 | TORSION SPRING 7 | 1 | PC. |
| 048 | | | 168571-4 | CONTROL CABLE | 1 | PC. |
| 049 | | | 233540-5 | TORSION SPRING 11 | 1 | PC. |
| 050 | 2 | | 455313-8 | * THROTTLE LEVER | 1 | PC. |
| 051 | | | 638714-7 | LEAD UNIT | 1 | PC. |
| 052 | | | 638713-9 | LEAD UNIT | 1 | PC. |
| 053 | | | 452071-7 | CORRUGATE TUBE | 1 | PC. |
| 054 | | | 266326-2 | TAPPING SCREW 4X18 | 4 | PC. |
| 060 | 2 | | 123499-3 | * CLEANER COVER ASSEMBLY | 1 | PC. |
| | | INC. | | * Item No. 61 | | |
| 061 | | | 265791-2 | THUMB SCREW M4 | 1 | PC. |
| 062 | | | 443171-4 | AIR CLEANER ELEMENT | 1 | PC. |
| 063 | | | 443169-1 | AIR CLEANER ELEMENT | 1 | PC. |
| 064 | | | 266618-9 | H.S.BUTTON HEAD BOLT M5X60 | 2 | PC. |
| 065 | 2 | | 123501-2 | * CLEANER PLATE ASSEMBLY | 1 | PC. |
| | | INC. | | * Item No. 66-68,223,224,231-234 | | |
| 066 | | | 162346-3 | SEPARATOR PLATE | 1 | PC. |
| 067 | | | 213540-1 | O RING 15 | 1 | PC. |
| 068 | | | 424316-3 | CHECK VALVE | 2 | PC. |
| 069 | | | 422099-9 | PIPE | 1 | PC. |

| Item No | Type | Sub | Part No. | Description | Qty | Unit |
|---------|------|------|----------|--------------------------------|-----|------|
| 070 | | | 325665-0 | JOINT PIPE | 1 | PC. |
| 071 | | | 442153-3 | CARBURETOR GASKET | 1 | PC. |
| 072 | | | 266787-6 | H.S.H.BOLT M5X18 WITH WR | 2 | PC. |
| 073 | | | 451825-9 | CLAMP | 1 | PC. |
| 074 | | | 451729-5 | INSULATOR | 1 | PC. |
| 075 | | | 213547-7 | O-RING 12 | 1 | PC. |
| 076 | | | 422109-2 | BREATHER PIPE | 1 | PC. |
| 077 | | | 345918-1 | HOSE CLAMP | 1 | PC. |
| 078 | | | 318745-9 | ROCKER COVER OUTER | 1 | PC. |
| 079 | | | 922222-1 | HEX. SOCKET HEAD BOLT M5X16 | 4 | PC. |
| 080 | | | 453860-3 | ROCKER COVER INNER | 1 | PC. |
| 081 | | | 162304-9 | ROCKER COVER GASKET | 1 | PC. |
| 082 | | | 424302-4 | PLUG CAP | 1 | PC. |
| 083 | | | 324891-8 | PLUG CAP SPRING | 1 | PC. |
| 085 | | | 125554-7 | ROCKER ARM ASSEMBLY | 2 | PC. |
| 086 | | | 256200-2 | PIN 5 | 1 | PC. |
| 087 | | | 256865-0 | ROD 2.5 | 2 | PC. |
| 088 | | | 325668-4 | SPRING RETAINER | 2 | PC. |
| 089 | | | 451735-0 | CLUTCH CASE | 1 | PC. |
| 090 | | | 922228-9 | H.S.H.BOLT M5X18 WITH WR | 3 | PC. |
| 091 | | | 450569-8 | SPACER | 1 | PC. |
| 092 | | | 961052-5 | RETAINING RING S-12 | 1 | PC. |
| 093 | | | 210111-5 | BALL BEARING 6201LLU | 1 | PC. |
| 094 | | | 962151-6 | RETAINING RING R-32 | 1 | PC. |
| 095 | 2 | | 161588-6 | CLUTCH DRUM COM. | 1 | PC. |
| 096 | 2 | | 266864-4 | SHOULDER HEX. BOLT M6X25 | 2 | PC. |
| 097 | | | 267817-6 | WASHER 8 | 2 | PC. |
| 098 | | | 126135-0 | CLUTCH ASSEMBLY | 1 | PC. |
| | | INC. | | Item No. 99,100 | | |
| 099 | 2 | | 161332-1 | CLUTCH SHOE | 2 | PC. |
| 100 | | | 231881-3 | TENSION SPRING 7 | 1 | PC. |
| 101 | | | 267812-6 | WASHER 6 | 2 | PC. |
| 102 | | | 264039-9 | CONED DISK SPRING HEXNUT M8X13 | 1 | PC. |
| 103 | | | 318569-3 | FLYWHEEL | 1 | PC. |
| 104 | | | 444021-6 | TUBE | 1 | PC. |
| 105 | | | 266602-4 | HEX. SOCKET HEAD BOLT M4X20 | 2 | PC. |
| 106 | | | 452049-0 | SPACER | 2 | PC. |
| 107 | | | 168559-4 | IGNITION COIL | 1 | PC. |
| 108 | | | 268238-5 | PIN 5 | 1 | PC. |
| 109 | | | 125552-1 | CAM GEAR ASSEMBLY | 1 | PC. |
| 110 | | | 313169-4 | CAM LIFTER | 2 | PC. |
| 112 | | | 268239-3 | PIN 4 | 1 | PC. |
| 113 | | | 162274-2 | CAM GEAR COVER GASKET | 1 | PC. |
| 114 | | | 318443-5 | CAM GEAR COVER | 1 | PC. |
| 115 | | | 922222-1 | HEX. SOCKET HEAD BOLT M5X16 | 3 | PC. |
| 116 | | | 135478-9 | CYLINDER BLOCK ASSEMBLY | 1 | PC. |
| | | INC. | | Item No. 88, 117, 118 | | |
| 117 | | | 922222-1 | HEX. SOCKET HEAD BOLT M5X16 | 6 | PC. |
| 118 | | | 424201-0 | CHECK VALVE | 2 | PC. |
| 119 | | | 346331-6 | MUFFLER GASKET | 1 | PC. |
| 120 | | | 168554-4 | EXHAUST MUFFLER | 1 | PC. |
| 121 | | | 266440-4 | HEX SOCKET HEAD BOLT M5X40 | 2 | PC. |
| 122 | | | 168483-1 | PULLEY | 1 | PC. |
| 123 | | | 451731-8 | MUFFLER PLATE | 1 | PC. |
| 124 | | | 922218-2 | H.S.H.BOLT M5X14 WITH WR | 1 | PC. |

| Item No | Type | Sub | Part No. | Description | Qty | Unit |
|---------|------|------|----------|---|-----|------|
| 125 | | | 638707-4 | LEAD UNIT | 1 | PC. |
| 126 | | | 638708-2 | LEAD UNIT | 1 | PC. |
| 128 | | | 922218-2 | H.S.H.BOLT M5X14 WITH WR | 1 | PC. |
| 129 | | | 453266-5 | CYLINDER COVER | 1 | PC. |
| 130 | | | 922218-2 | H.S.H.BOLT M5X14 WITH WR | 1 | PC. |
| 131 | | | 424082-2 | BUFFER RUBBER | 1 | PC. |
| 132 | | | 922211-6 | HEX. SOCKET HEAD BOLT M5X12 | 1 | PC. |
| 133 | | | 922226-3 | HEX. SOCKET HEAD BOLT M5X18 | 2 | PC. |
| 134 | | | 318249-1 | PIPE HOLDER | 1 | PC. |
| 135 | | | 318250-6 | PIPE HOLDER | 1 | PC. |
| 136 | | | 424083-0 | BUFFER RUBBER | 1 | PC. |
| 137 | | | 424200-2 | SPACER | 2 | PC. |
| 138 | | | 234108-0 | COMPRESSION SPRING 9 | 2 | PC. |
| 140 | 2 | | 326366-3 | EXHAUST VALVE | 1 | PC. |
| 143 | 2 | | 326367-1 | INTAKE VALVE | 1 | PC. |
| 144 | 2 | | 195145-8 | PISTON RING SET | 1 | SET |
| | | INC. | | Item No. 145, 146 | 1 | SET |
| 147 | | | 318441-9 | PISTON | 1 | PC. |
| 148 | | | 254040-2 | WOODRUFF KEY 3 | 1 | PC. |
| 149 | 2 | | 126204-7 | CRANK SHAFT ASS'Y | 1 | PC. |
| | | INC. | | Item No. 150 - 152 | | |
| | 4 | | 123774-7 | CRANK SHAFT ASSEMBLY | 1 | PC. |
| | | INC. | | Item No. 150 - 152 | | |
| 150 | 2 | | 213769-9 | OIL SEAL 10 | 1 | PC. |
| 151 | | | 267400-9 | FLAT WASHER 23 | 1 | PC. |
| 152 | 2 | | 213089-1 | OIL SEAL 12 | 1 | PC. |
| 153 | | | 257781-9 | PISTON PIN | 1 | PC. |
| 154 | | | 233976-8 | CLIP | 2 | PC. |
| 155 | | | 162345-5 | OIL CASE GASKET | 1 | PC. |
| 156 | | | 346083-9 | LEAD VALVE | 1 | PC. |
| 157 | | | 318910-0 | RETAINER PLATE | 1 | PC. |
| 158 | | | 922112-8 | HEX. SOCKET HEAD BOLT M4X10 | 1 | PC. |
| 159 | | | 318588-9 | OIL CASE | 1 | PC. |
| 160 | | | 922222-1 | HEX. SOCKET HEAD BOLT M5X16 | 4 | PC. |
| 161 | | | 424344-8 | DAMPER | 1 | PC. |
| 162 | | | 346305-7 | GASKET | 1 | PC. |
| 163 | | | 266611-3 | HEX BOLT M6X8 | 1 | PC. |
| 164 | | | 213548-5 | O-RING 20 | 1 | PC. |
| 165 | | | 325665-0 | JOINT PIPE | 1 | PC. |
| 166 | | | 282020-8 | * HOSE CLAMP (Type 2: A component of #125805-8) | 1 | PC. |
| 167 | | | 325666-8 | * OIL WEIGHT(Type 2: A component of #125805-8) | 1 | PC. |
| 168 | 2 | | 125805-8 | * OIL TUBE ASSEMBLY | 1 | PC. |
| | | INC. | 424301-6 | * OIL TUBE | 1 | PC. |
| | | INC. | | * Item No. 166, 167 | | |
| 169 | | | 452047-4 | OIL CAP | 1 | PC. |
| 170 | | | 424343-0 | GASKET | 1 | PC. |
| 171 | | | 452048-2 | OIL PIPE | 1 | PC. |
| 172 | | | 922218-2 | H.S.H.BOLT M5X14 WITH WR | 2 | PC. |
| 173 | | | 125728-0 | FUEL TANK CAP ASSEMBLY | 1 | PC. |
| 175 | | | 168775-8 | TUBE COMPLETE | 1 | PC. |
| 176 | | | 282020-8 | HOSE CLAMP | 1 | PC. |
| 177 | | | 163518-3 | GASOLIN FILTER | 1 | PC. |
| 178 | 1 | | 454010-3 | * FUEL TANK | 1 | PC. |
| | 2 | | 123419-7 | * FUEL TANK ASSEMBLY | 1 | PC. |
| | | INC. | | * Item No. 173, 175-177 | | |

| Item No. | Type | Sub | Part No. | Description | Qty | Unit |
|--------------------|------|------|------------|--|-----|------|
| 179 | | | 424080-6 | BUFFER RUBBER | 2 | PC. |
| 180 | | | 424081-4 | BUFFER RUBBER | 1 | PC. |
| 181 | | | 451737-6 | TANK GUARD | 1 | PC. |
| 182 | | | 922218-2 | H.S.H.BOLT M5X14 WITH WR | 4 | PC. |
| 183 | | | 195308-6 | RECOIL STARTER SET | 1 | PC. |
| | | INC. | | Item No. 122,184,185,187-193 | | |
| 184 | | | 424319-7 | STARTER KNOB | 1 | PC. |
| 185 | | | 424359-5 | DAMPER | 1 | PC. |
| 187 | | | 266585-8 | TAPPING SCREW 5X12 | 1 | PC. |
| 188 | | | 325923-4 | SWING ARM | 1 | PC. |
| 189 | | | 451938-6 | COLLAR | 1 | PC. |
| 190 | | | 451937-8 | REEL | 1 | PC. |
| 191 | | | 232258-5 | SPIRAL SPRING | 1 | PC. |
| 193 | | | 451733-4 | STARTER CASE | 1 | PC. |
| 194 | | | 922223-9 | H.S.H.BOLT M5X16 WITH WR | 4 | PC. |
| 197 | | | 168762-7 | CARBURETOR | 1 | PC. |
| | | INC. | | Item No. 198-207,209-214 | | |
| 198 | | | 325922-6 | SWIVEL | 1 | PC. |
| 199 | | | 413140-9 | WASHER | 1 | PC. |
| 200 | 1 | | 266581-6 | PAN HEAD SCREW M3X8 WITH WR | 2 | PC. |
| | 2 | | WJ00096364 | SCREW M3X8 WITH WASHER | 2 | PC. |
| 201 | | | 257964-1 | STOP RING E-3 | 1 | PC. |
| 202 | | | 213538-8 | O RING 2 | 1 | PC. |
| 203 | | | 325985-2 | JET | 1 | PC. |
| 204 | | | 234183-6 | CONICAL COMPRESSION SPRING 5-9 | 1 | PC. |
| 205 | | | 442155-9 | PUMP GASKET | 1 | PC. |
| 206 | 2 | | WJ00009599 | PUMP DIAPHRAGM | 1 | PC. |
| 207 | | | 141737-1 | PUMP BODY | 1 | PC. |
| | | INC. | | Item No. 208 | | |
| 208 | 2 | | WJ00014070 | INLET SCREEN | 1 | PC. |
| 209 | | | 442154-1 | METERING DIAPHRAGM GASKET | 1 | PC. |
| 210 | | | 168620-7 | METERING DIAPHRAGM | 1 | PC. |
| 211 | | | 140438-8 | AIR PURGE BODY | 1 | PC. |
| 212 | | | 424314-7 | PRIMER PUMP | 1 | PC. |
| 213 | | | 346270-0 | PRIMER PUMP COVER | 1 | PC. |
| 214 | | | 266582-4 | TAPPING SCREW 3X24 | 4 | PC. |
| 215 | | | 810455-9 | CAUTION PLATE | 1 | PC. |
| 216 | | | 800F73-7 | INDICATION LABEL | 1 | PC. |
| 217 | | | 941152-7 | FLAT WASHER 6 | 1 | PC. |
| 223 | | | 266427-6 | TAPPING SCREW 4X12 | 1 | PC. |
| 224 | | | 452219-1 | CHOKE PLATE | 1 | PC. |
| 231 | | | 452220-6 | CHOKE LEVER | 1 | PC. |
| 232 | | | 266007-8 | TAPPING SCREW BIND PT 3X10 | 1 | PC. |
| 233 | | | 352020-3 | SEPARATOR MESH | 1 | PC. |
| 234 | | | 453865-3 | SEPARATOR CASE | 1 | PC. |
| 235 | | | 453862-9 | OIL CASE PLATE | 1 | PC. |
| 236 | 2 | | 135668-4 | * SHORT BLOCK ASSEMBLY 25.4CC | 1 | PC. |
| ACCESSORIES | | | | - See catalogue or visit www.makita.ca for more optional accessories - | | |
| A01 | | | 125516-5 | BAND ASSEMBLY (SHOULDER HARNESS) | 1 | PC. |
| | | 3 | 191A18-9 | ENGINE OIL SET - N/A as repair part | 1 | PC. |
| A03 | | | 195515-1 | LOOP HANDLE SET | 1 | PC. |
| | | INC. | 346468-9 | CLAMP 33 | 1 | PC. |
| | | INC. | 452842-2 | CLAMP COVER A | 1 | PC. |
| | | INC. | 922244-1 | H.S.H.BOLT M5X25 WITH WG | 2 | PC. |

| Item No | Type | Sub | Part No. | Description | Qty | Unit |
|---------|------|------|----------|--|-----|------|
| | | INC. | 346467-1 | CLAMP 24 | 1 | PC. |
| | | INC. | 347094-7 | CLAMP 24 | 1 | PC. |
| A04 | | | 783013-3 | BOX DRIVER 16-17 | 1 | PC. |
| A05 | | | 783202-0 | HEX. WRENCH 4 | 1 | PC. |
| A06 | | | 831304-7 | ACCESSORY BAG | 1 | PC. |
| A07 | | | 168534-0 | SPARK PLUG (CMR4A) | 1 | PC. |
| A08 | | | 444023-2 | STARTER ROPE 2.8DIA.X0.95M | 1 | PC. |
| A09 | | | EM400MP | STRAIGHT SHAFT LINE TRIMMER ATTACHMENT (See Partsbreakdown EM400MP) | 1 | PC. |
| A10 | | | ER400MP | CURVED SHAFT LINE TRIMMER ATTACHMENT (See Partsbreakdown ER400MP) | 1 | PC. |
| A11 | 2 | | EN401MP | HEDGE TRIMMER ATTACHMENT (See Partsbreakdown E40100MP) | 1 | PC. |
| A12 | | | EY401MP | CHAIN SAW ATTACHMENT (See Partsbreakdown EY401MP) | 1 | PC. |
| A13 | | | KR401MP | CULTIVATE ATTACHMENT (See Partsbreakdown KR401MP) | 1 | PC. |
| A14 | | | LE400MP | SHAFT EXTENTION ATTACHMENT (See Partsbreakdown LE400MP) | 1 | PC. |
| A15 | | | EE400MP | EDGER ATTACHMENT FOR SPLIT SHAFT | 1 | PC. |
| A16 | | | EM401MP | BRUSHCUTTER/LINE TRIMMER ATTCH (See Partsbreakdown EM401MP) | 1 | PC. |
| A17 | | | 195638-5 | CARRYING BAG (ENGINE UNIT AND ATTACHMENT) | 1 | PC. |
| A18 | | | 197680-2 | ENGINE MAINTENANCE KIT F/EH026 | 1 | PC. |
| | | INC. | | Item No.62, 63, 177, A7 | | |
| C01 | | | 872308-0 | CARTON | 1 | PC. |

SERVICE CHANGES

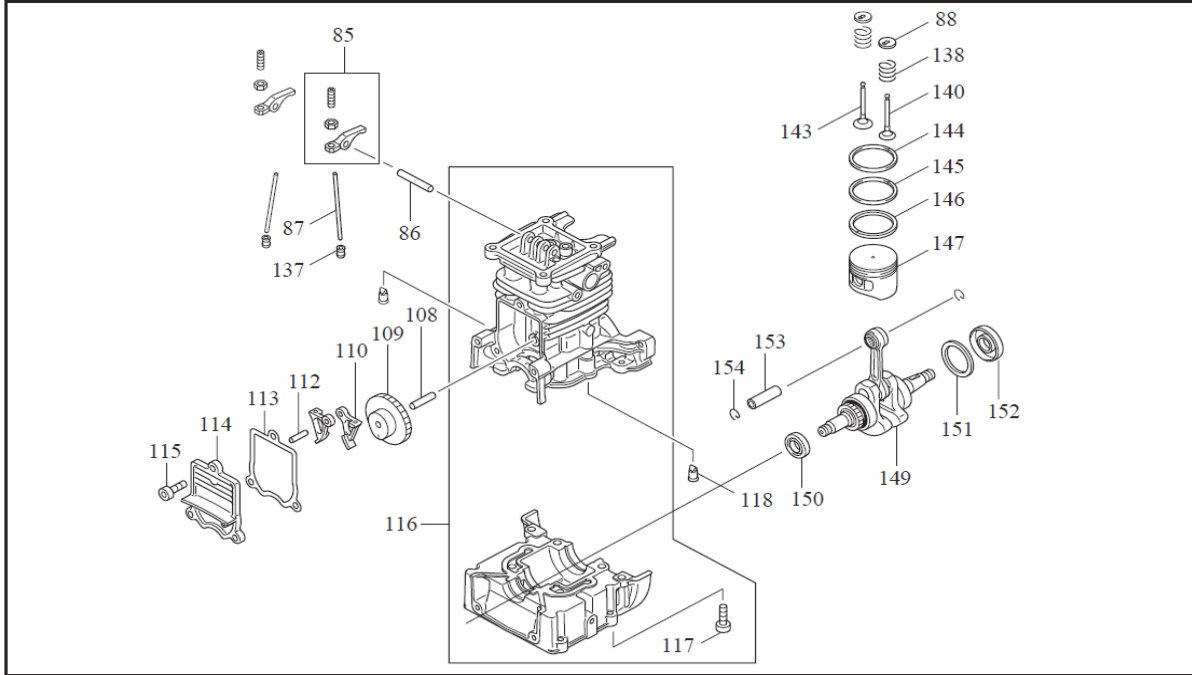
1. Added Short Block Assembly

(TI# Y06451)

(TI# A6512)

| Item No. | Description | Type 1 | Type 2 |
|----------|-----------------------------|----------|----------|
| 236 | SHORT BLOCK ASSEMBLY 25.4CC | 135599-7 | 135668-4 |

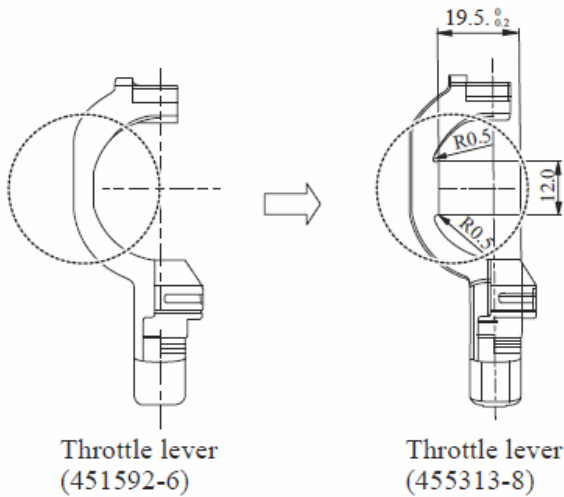
Part No. below are included in the Assembly. Assembled in factory



2. Changes on Throttle lever

(TI#A2941)

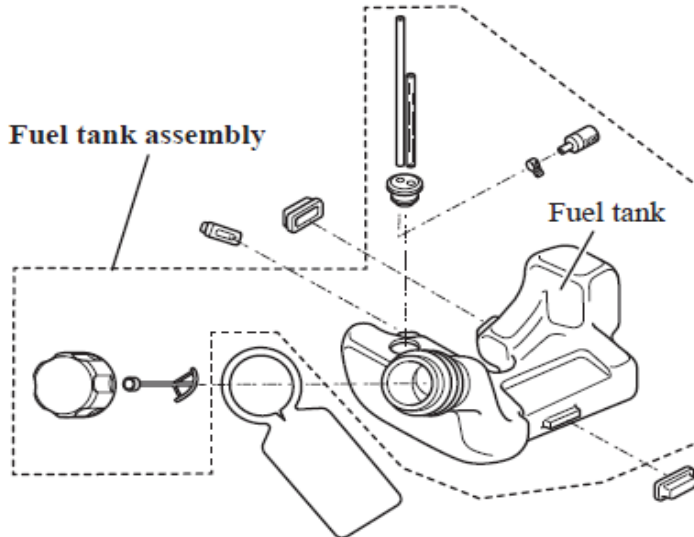
| Item No. | Description | Type 1 | Type 2 |
|----------|----------------|----------|----------|
| 50 | Throttle lever | 451592-6 | 455313-8 |



3. Changes on Fuel Tank

(TI#A7689)

| Item No. | Description | Type 1 | Type 2 |
|----------|---------------------------------|----------|-----------------------|
| 178 | Fuel Tank >> Fuel Tank Assembly | 454010-3 | 123419-7 |
| | Inc. | ----- | Item No. 173, 175-177 |



4. Changes on Oil Tube

(TI#Y07151)

| Item No. | Description | Type 1 | Type 2 |
|----------|-------------------|----------|----------------------|
| 166 | Hose Clamp | 282020-8 | Included in 125805-8 |
| 167 | Oil Weight | 325666-8 | Included in 125805-8 |
| 168 | Oil Tube Assembly | ----- | 125805-8 |
| | Oil Tube | 424301-6 | Included in 125805-8 |

5. Changes on Cleaner Cover and Cleaner Plate

(TI#YB1277)

| Item No. | Description | Type 1 | Type 2 |
|----------|------------------------|----------|----------|
| 60 | Cleaner Cover Assembly | 126202-1 | 123499-3 |
| 65 | Cleaner Plate Assembly | 126198-6 | 123501-2 |

