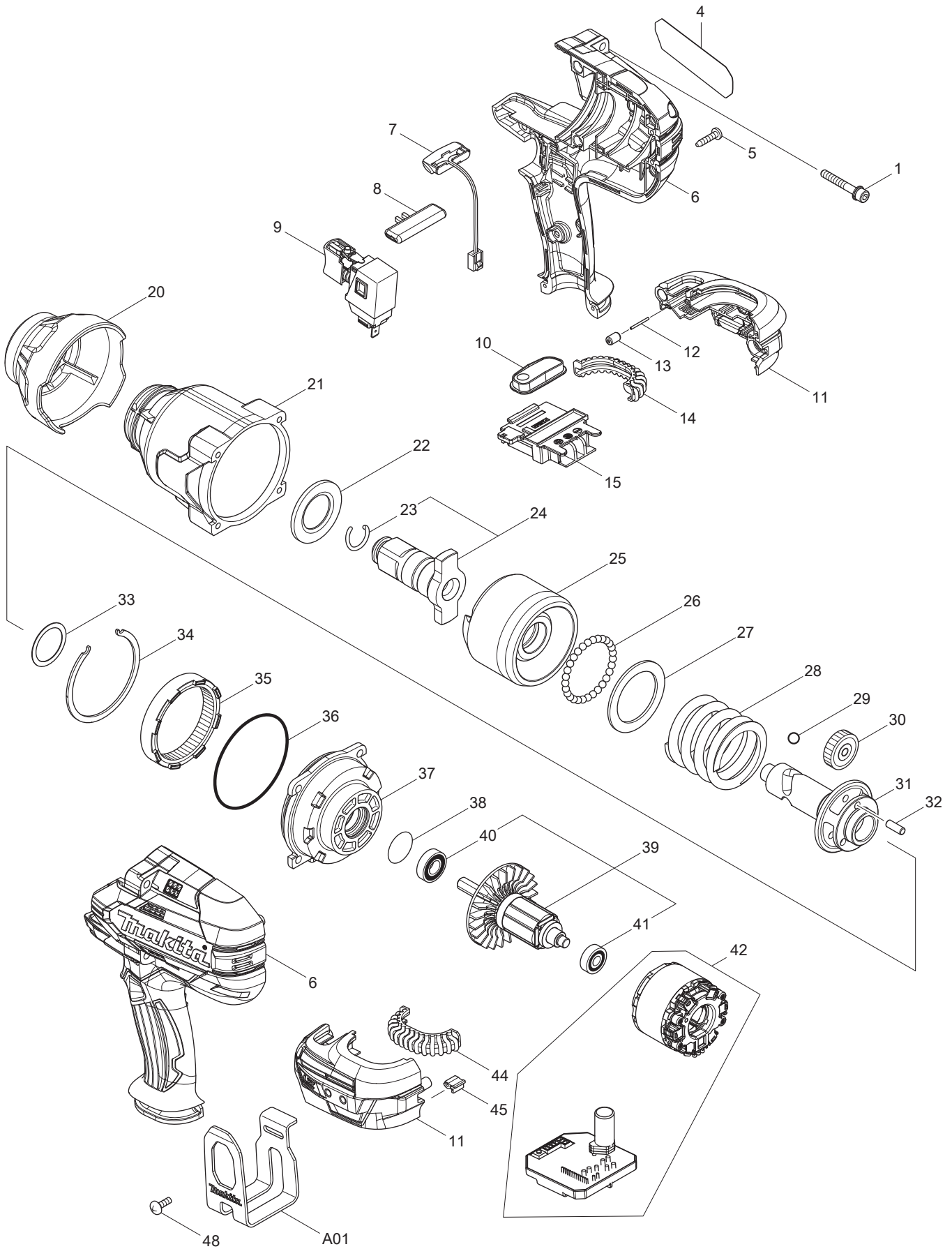




10 - 2015
DTW1001Z, DTW1001RTE
18V Brushless 3/4" Impact Wrench



Item No.	Type	Sub	Part No.	Description	Qty	Unit
001			251476-6	H.S.H.BOLT M5X35 WITH WR	4	PC.
004	2		851K63-1	DTW1001 NAME PLATE	1	PC.
005			266326-2	TAPPING SCREW 4X18	9	PC.
006	1		183C08-8	HOUSING SET	1	SET
	2		183H36-3	HOUSING SET	1	SET
007			620351-1	LED CIRCUIT	1	PC.
008			456268-0	F/R CHANGE LEVER	1	PC.
009			143416-7	SWITCH COMPLETE	1	PC.
010			143417-5	SWITCH PLATE COMPLETE	1	PC.
011			183C12-7	BATTERY HOUSING SET	1	SET
		INC.	263005-3	RUBBER PIN 6	2	PC.
012			268284-8	PIN 1.5	1	PC.
013			263036-2	RUBBER PIN 5	1	PC.
014			424773-5	CUSHION RUBBER	1	PC.
015			643899-6	TERMINAL	1	PC.
020	1		424775-1	* BUMPER	1	PC.
	2		424978-7	* BUMPER	1	PC.
021	1		143411-7	* HAMMER CASE COMPLETE	1	PC.
	2		144473-8	* HAMMER CASE COMPLETE	1	PC.
022			346948-5	WASHER 25	1	PC.
023	2		232334-5	RING SPRING 16	1	PC.
024	1		135716-9	ANVIL E ASS'Y	1	PC.
		INC.		Item No. 23		
	2		135803-4	ANVIL E ASS'Y	1	PC.
		INC.		Item No. 23		
025			326612-4	HAMMER	1	PC.
026			216002-8	STEEL BALL 4.8	29	PC.
027			267493-6	FLAT WASHER 38	1	PC.
028			234383-8	COMPRESSION SPRING 38	1	PC.
029			216009-4	STEEL BALL 7.1	2	PC.
030	2		226879-3	SPUR GEAR 24	3	PC.
	3		226880-8	SPUR GEAR 24	3	PC.
031			326611-6	SPINDLE	1	PC.
032			268079-9	PIN 5	3	PC.
033	2		267127-1	FLAT WASHER 26	1	PC.
034			346947-7	RETAINER	1	PC.
035			227392-4	INTERNAL SPUR GEAR 54	1	PC.
036			213720-9	O RING 67	1	PC.
037			135718-5	INTERNAL GEAR CASE ASS'Y	1	PC.
		INC.		Item No. 36,38		
038			213961-7	O RING 22	1	PC.
039	1		519384-0	ROTOR ASS'Y	1	PC.
		INC.		Item No. 40,41		
	3		519592-3	ROTOR ASS'Y	1	PC.
		INC.		Item No. 40,41		
040			210069-8	BALL BEARING 6900DDW	1	PC.
041			211022-7	BALL BEARING 607ZZ	1	PC.
042	2		629330-6	STATOR COMPLETE	1	PC.
044			424773-5	CUSHION RUBBER	1	PC.
045			424517-3	CUSHION	1	PC.
048			251314-2	+ SCREW M4X12 F/ HOOK (Item No. A01)	2	PC.
049			857K64-9	DTW1001 SERIAL NO. LABEL	1	PC.
C01			878653-1	CARTON F/DTW1001Z	1	PC.

ACCESSORIES

- Visit www.makita.ca for more accessories information -

A01			346949-3	HOOK	1	PC.
A02			---	BATTERY CHARGER		
A03			---	18V LI-ION BATTERY		
A04			---	LI-ION BATTERY ACCESSORIES		

Item No.	Type	Sub	Part No.	Description	Qty	Unit
A04			450128-8	BATTERY COVER	1	PC.
A05			---	3/4" IMPACT WRENCH ACCESSORIES		
A06			821669-5	PLASTIC CARRYING CASE	1	PC.
		INC.	162315-4	LATCH	2	PC.
		INC.	452137-3	HANDLE	1	PC.
		INC.	452143-8	SHAFT	1	PC.
A07			197212-5	INTERLOCKING CASE L	1	PC.
		INC.	453974-8	LATCH	4	PC.
A08			837645-9	INNER TRAY F/ INTERNAL LOCKING CASE L	1	PC.
A09			191G67-2	EXTENSION HANDLE	1	PC.

SERVICE CHANGES

1. Changes on Bumper & Hammer Case Complete

(TI#B6398)

Item No.	Description	Type 1	Type 2
20	Bumper	424775-1	424978-7
21	Hammer Case Complete	143411-7	144473-8

Above parts are completely interchangeable as a set.

