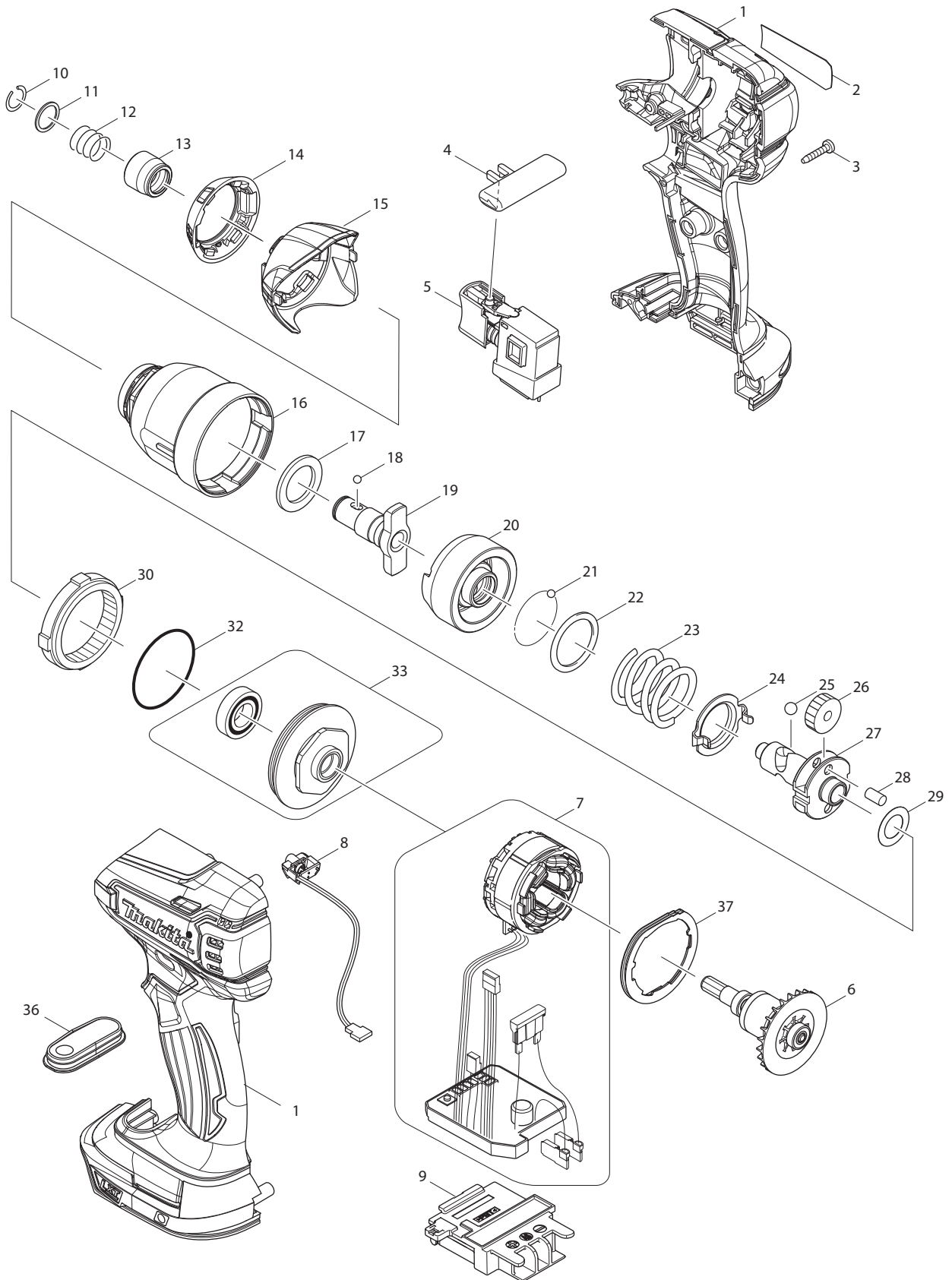




11 - 2013
DTD147RME, DTD147Z
18V BRUSHLESS IMPACT DRIVER
(HIGH RANGE)



Item No	Type	Ref	Part No	Description	Qty	Unit
1			187388-6	HOUSING SET	1	SET
		INC.	263005-3	RUBBER PIN 6	2	PC.
2			815F42-5	NAME PLATE F/DTD147	1	PC.
3			266130-9	TAPPING SCREW BIND PT 3X16	9	PC.
4			419041-9	F/R CHANGE LEVER	1	PC.
5			141448-8	SWITCH COMPLETE	1	PC.
		INC.	424496-5	SEAL	1	PC.
6			619297-6	ROTER	1	PC.
			619353-2	ROTER	1	PC.
7			632A40-2	STATOR UNIT	1	PC.
8			620136-5	LED CIRCUIT	1	PC.
9			643860-3	TERMINAL	1	PC.
10			231951-8	RING SPRING 11	1	PC.
11			267085-1	FLAT WASHER 12	1	PC.
12			233005-7	COMPRESSION SPRING 13	1	PC.
13			326068-1	BIT SLEEVE	1	PC.
14			424495-7	BUMPER	1	PC.
15			453664-3	HAMMER CASE COVER	1	PC.
16			141477-1	HAMMER CASE COMPLETE	1	PC.
17			261151-6	NYLON WASHER 19	1	PC.
18			216001-0	STEEL BALL 3.5	2	PC.
19			326069-9	ANVIL M	1	PC.
20			326054-2	HAMMER	1	PC.
21			216001-0	STEEL BALL 3.5	24	PC.
22			267175-0	FLAT WASHER 24	1	PC.
23			234251-5	COMPRESSION SPRING 25	1	PC.
24			346466-3	PLATE	1	PC.
25			216011-7	STEEL BALL 5.6	2	PC.
26	1		227233-4	* SPUR GEAR 22 (Material: SCM415)	2	PC.
	2		227362-3	* SPUR GEAR 22 (Material: SCM435)	2	PC.
27			326066-5	SPINDLE	1	PC.
28			256253-1	PIN 5	2	PC.
29			253362-7	THIN WASHER 12	1	PC.
30			227150-8	INTERNAL GEAR 51	1	PC.
32			213507-9	O RING 40	1	PC.
33			158145-9	BEARING BOX COMPLETE	1	PC.
36			141583-2	* SWITCH PLATE COMPLETE	1	PC.
37			453665-1	BAFFLE PLATE	1	PC.
100			266622-8	(+) TRUSS HEAD SCREW M4X12 (F/ HOOK)	1	PC.
E01			802U50-5	CAUTION LABEL EN/FR/SP	1	PC.

ACCESSORIES

- See Catalogue or visit www.makita.ca for more accessories -

A01			-----	LI-ION BATTERY ACCESSORIES		
A03			-----	BATTERY CHARGER		
A04			-----	18V LI-ION BATTERY		
A07			821532-2	PLASTIC CARRYING CASE	1	PC.
A09	1		195927-8	TOOL CATCHER SET	1	PC.
	2		197043-2	TOOL CATCHER SET	1	PC.
A10			166070-0	SHOULDER BELT	1	PC.
A11			192077-0	3/8" KYLS DRILL CHUCK ATTCHMENT	1	PC.
			194250-8	3/8" KYLS DRILL CHUCK ATTCHMENT	1	PC.
			191881-4	3/8" DRILL CHUCK ATTCHMENT	1	PC.
A12			-----	DRIVERS BITS		
A13			784643-3	CONNECT BIT 6.35-44	1	PC.

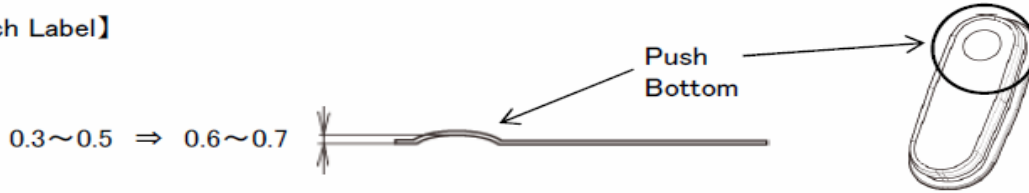
SERVICE CHANGES

1. Changes on Switch Plate Complete

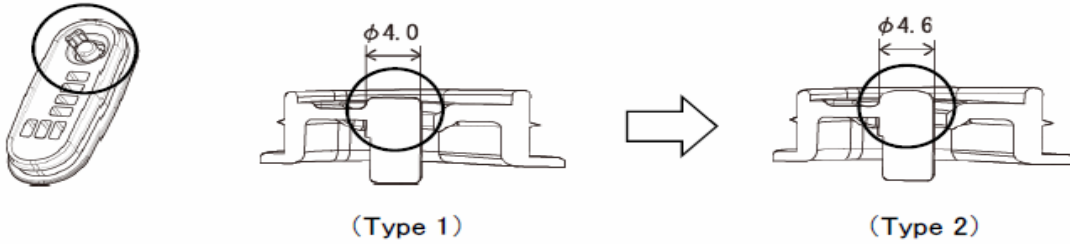
(TI#A5419)

Item No.	Description	Type 1	Type 2
36	Switch Plate Complete		141583-2

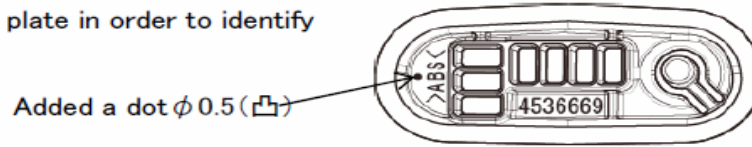
【Switch Label】



【Switch Plate】



※Type 2 has a dot on Switch plate in order to identify



2. Changes on Spur Gear

(TI#A9581)

Item No.	Description	Type 1	Type 2
26	SPUR GEAR 22 (Material: SCM415)>(Material: SCM435)	227233-4	227362-3

