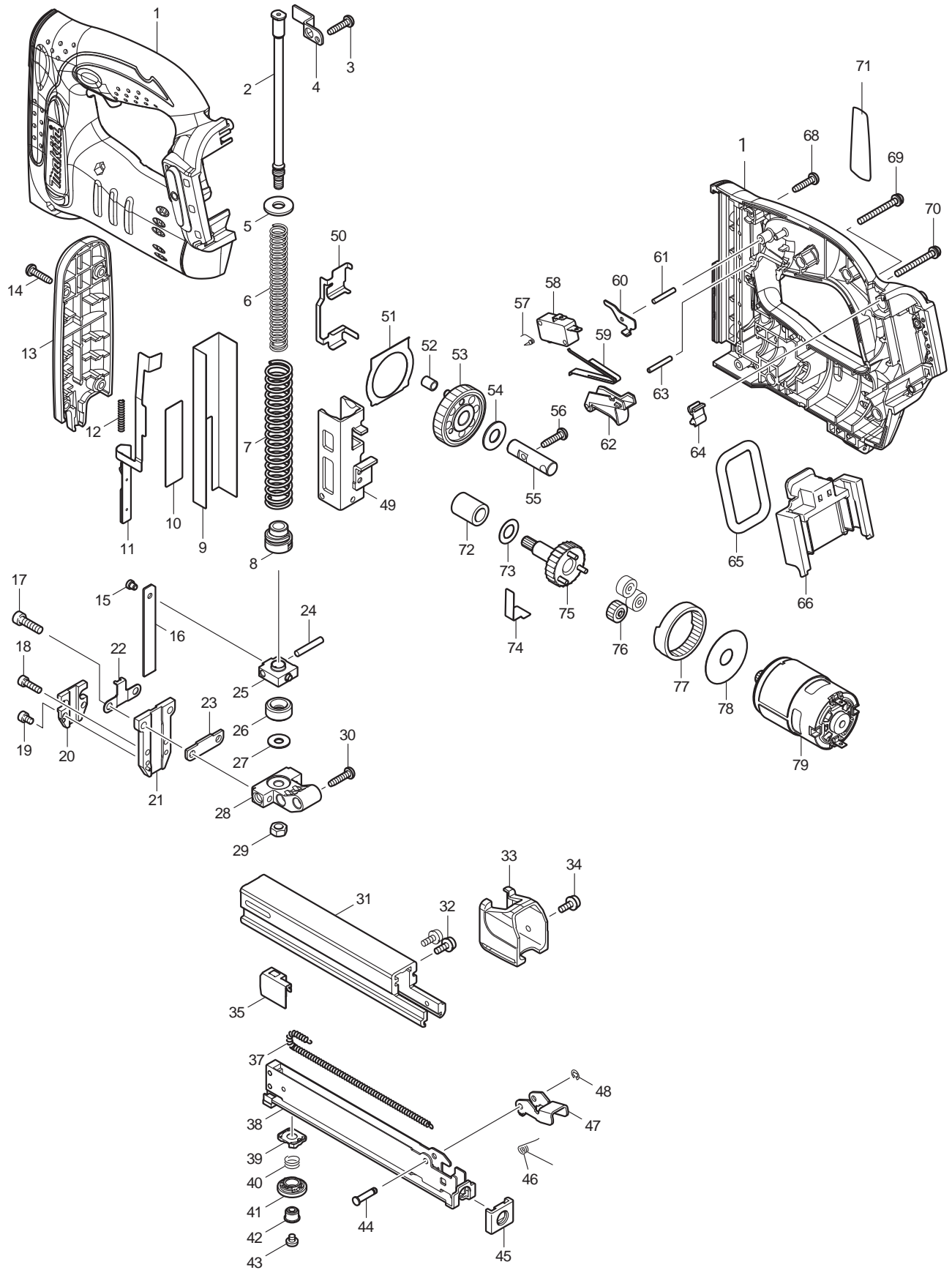




05 - 2014
DST221F, DST221RFEX, DST221Z
18V STAPLER



Item No	Type	Ref	Part No	Description	Qty	Unit
001			187938-7	HOUSING SET	1	SET
		INC.	263005-3	RUBBER PIN 6	2	PC.
002			325635-9	GUIDE BOLT	1	PC.
003			265995-6	TAPPING SCREW 4X18	1	PC.
004			345907-6	FIX PLATE	1	PC.
005			253762-1	FLAT WASHER 8	1	PC.
006			234060-2	COMPRESSION SPRING 9	1	PC.
007			234101-4	COMPRESSION SPRING 13	1	PC.
008			424135-7	SPRING HOLDER	1	PC.
009			345978-3	GUIDE PLATE	1	PC.
010			345906-8	UPPER PLATE	1	PC.
011	2		161468-6	* SAFETY LEVER	1	PC.
012			234078-3	COMPRESSION SPRING 4	1	PC.
013			142787-9	FRONT COVER COMPLETE	1	PC.
		INC.	804N11-9	CAUTION LABEL	1	PC.
014			265995-6	TAPPING SCREW 4X18	4	PC.
015			268157-5	PIN 4	1	PC.
016			345996-1	DRIVER	1	PC.
017			922227-1	HEX. SOCKET HEAD BOLT M5X18	2	PC.
018			266201-2	HEX.SOCKET HEAD BOLT M4X14	2	PC.
019			266199-3	HEX.SOCKET HEAD BOLT M4X6	2	PC.
020	1		451801-3	* SAEFTY LEVER GUIDE	1	PC.
	2		456800-0	* SAEFTY LEVER GUIDE	1	PC.
021			158759-4	DRIVER GUIDE COMPLETE	1	PC.
022			345910-7	SPRING BASE	1	PC.
023			344670-8	SET PLATE	1	PC.
024			256206-0	PIN 4	1	PC.
025			313150-5	DRIVER LOCK	1	PC.
026			424099-5	CUSHION	1	PC.
027			253804-1	FLAT WASHER 6	1	PC.
028			318267-9	HOLDER	1	PC.
029			931302-2	HEX. NUT M6	1	PC.
030			265995-6	TAPPING SCREW 4X18	1	PC.
031			142786-1	MAIN MAGAZINE COMPLETE	1	PC.
		INC.	804N10-1	CAUTION LABEL	1	PC.
032			911113-1	PAN HEAD SCREW M4X10	2	PC.
033			450540-2	END CAP	1	PC.
034			911113-1	PAN HEAD SCREW M4X10	1	PC.
035			345997-9	PUSHER	1	PC.
037			231854-6	TENSION SPRING 3	1	PC.
038			165532-5	SUB MAGAZINE	1	PC.
039			450775-5	ADJUSTER BASE	1	PC.
040			231323-7	COMPRESSION SPRING 9	1	PC.
041			450702-2	ADJUSTER	1	PC.
042			450774-7	LOCK SLEEVE	1	PC.
043			265127-5	+ PAN HEAD SCREW M4X4	1	PC.
044			268029-4	PIN 4	1	PC.
045			421637-4	MAGAZINE END	1	PC.
046			233528-5	TORSION SPRING 5	1	PC.
047			345861-4	LEVER	1	PC.
048			961017-7	STOP RING E-3	1	PC.
049			165506-6	HAMMER	1	PC.
050			345914-9	SLIDE PLATE	1	PC.

Item No	Type	Ref	Part No	Description	Qty	Unit
051			343629-2	PLATE	1	PC.
052			257772-0	SLEEVE 5	1	PC.
053			158646-7	SPUR GEAR 55 COMPLETE	1	PC.
054			253171-4	FLAT WASHER 10	1	PC.
055			324947-7	PIN 10	1	PC.
056			265995-6	TAPPING SCREW 4X18	1	PC.
057			233531-6	TORSION SPRING 3	1	PC.
058			651891-8	SWITCH V-15-3A6	1	PC.
059			232240-4	LEAF SPRING	1	PC.
060			345908-4	RELEASE PLATE	1	PC.
061			256221-4	PIN 3	1	PC.
062			450536-3	TRIGGER	1	PC.
063			256221-4	PIN 3	1	PC.
064			424026-2	CUSHION	1	PC.
065			424030-1	CUSHION	1	PC.
066			644812-7	TERMINAL	1	PC.
068			265995-6	TAPPING SCREW 4X18	6	PC.
069			911163-6	PAN HEAD SCREW M4X35	1	PC.
070			911163-6	PAN HEAD SCREW M4X35	1	PC.
071			815X68-5	DST221 NAME PLATE	1	PC.
072			214058-5	PLANE BEARING 10	1	PC.
073			253758-2	FLAT WASHER 10	1	PC.
074			232241-2	LEAF SPRING	1	PC.
075			158647-5	SPUR GEAR 7 COMPLETE	1	PC.
076			221961-3	SPUR GEAR 27	3	PC.
077			221999-8	INTERNAL GEAR 69	1	PC.
078			267053-4	FLAT WASHER 12	1	PC.
079			629125-7	DC MOTOR	1	PC.
100			251314-2	(+) SCREW M4X12 F/HOOK	1	PC.
D01			654069-2	RECEPTACLE	2	PC.
D02			654108-8	RECEPTACLE STO-41T-187N	2	PC.
D03			654208-4	RECEPTACLE	2	PC.

ACCESSORIES

- See catalogue or visit www.makita.ca for optional accessory -

A01			195246-2	SAFETY GOGGLE	1	PC.
A02			346449-3	HOOK	1	PC.
A03			-----	18V LI-ION BATTERY		
A05			-----	LI-ION BATTERY ACCESSORIES		
A06			821010-X	TOOL BAG 14"	1	PC.

SERVICE CHANGES

1. Changes on Safety Lever and Safety Lever Guide

(TI#B0656)

Item No.	Description	Type 1	Type 2
11	Safety Lever	165602-0	161468-6
20	Safety Lever Guide	451801-3	456800-0

Above parts are completely interchangeable as a set.