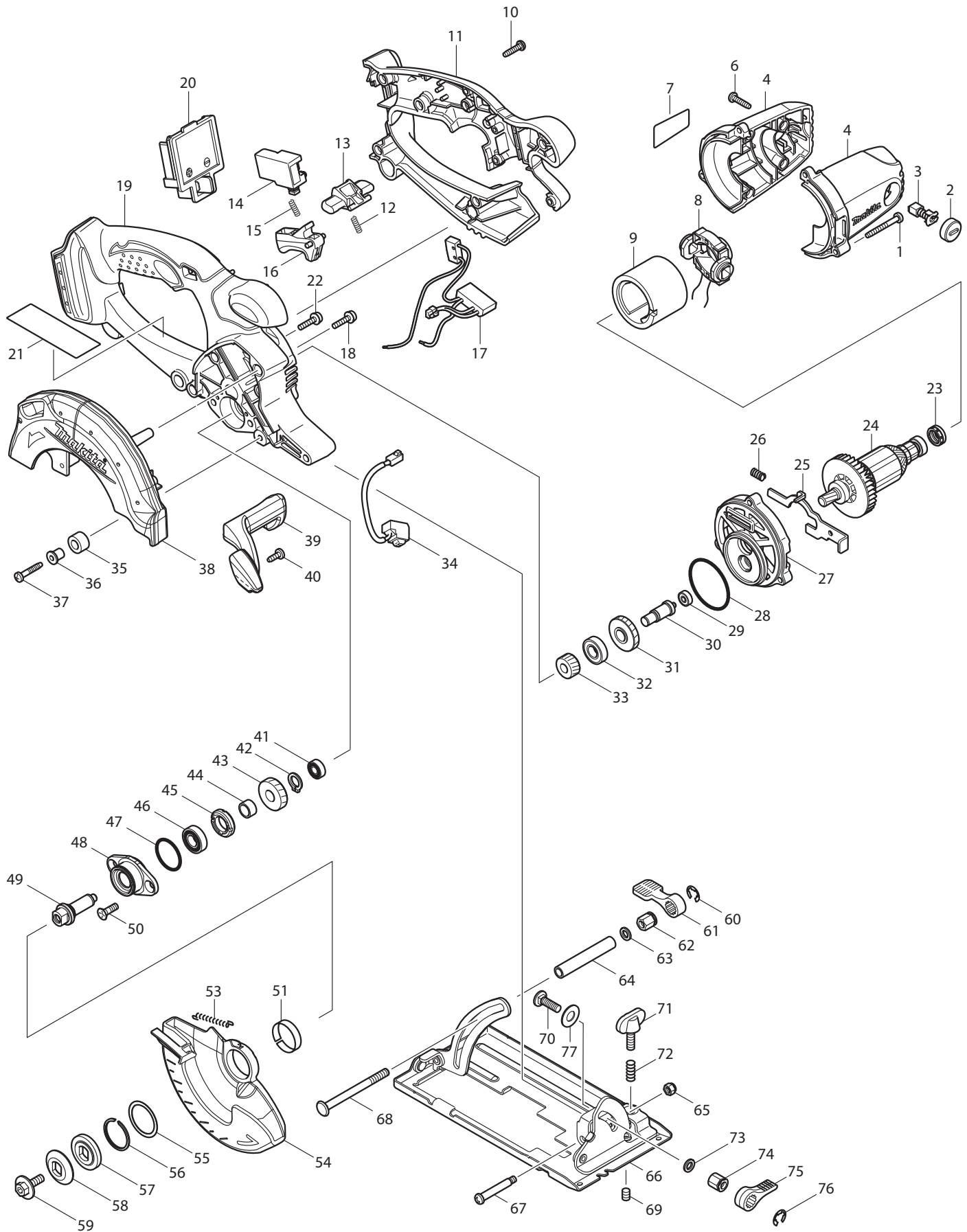




02 - 2015
DSS501F, DSS501Z
18V 5-3/8" CIRCULAR SAW



Item No	Type	Ref	Part No	Description	Qty	Unit
001			266053-1	TAPPING SCREW 4X35	3	PC.
002			643807-7	BRUSH HOLDER CAP	2	PC.
003			195018-5	CARBON BRUSH CB-430 2PC/SET (W/ ORIGIN)	1	SET
004			188209-5	HOUSING SET	1	SET
006			265995-6	TAPPING SCREW 4X18	4	PC.
007			815T90-8	NAME PLATE F/DSS501	1	PC.
008			638502-2	ENDBELL COMPLETE	1	PC.
009			638420-4	YOKE UNIT	1	PC.
010			265995-6	TAPPING SCREW 4X18	7	PC.
011	2		140F58-4	HANDLE L COM.	1	PC.
012			231469-9	COMPRESSION SPRING 4	1	PC.
013			419664-3	LOCK OFF LEVER	1	PC.
014			651956-6	SWITCH TG72BD	1	PC.
015			231469-9	COMPRESSION SPRING 4	1	PC.
016			419665-1	SWITCH LEVER	1	PC.
018			911133-5	PAN HEAD SCREW M4X18	1	PC.
019	2		140F53-4	HANDLE R COM.	1	PC.
020			644808-8	TERMINAL	1	PC.
021			803T48-9	CAUTION LABEL	1	PC.
022			911133-5	PAN HEAD SCREW M4X18	3	PC.
023			421977-0	RUBBER RING 13	1	PC.
024			619202-3	ARMATURE	1	PC.
025			345643-4	SHAFT LOCK	1	PC.
026			233117-6	COMPRESSION SPRING 6	1	PC.
027			419656-2	GEAR HOUSING	1	PC.
028			213560-5	O RING 44	1	PC.
029			210036-3	BALL BEARING 604ZZ	1	PC.
030			324729-7	GEAR SHAFT	1	PC.
031			226643-2	HELICAL GEAR 35	1	PC.
032			210080-0	BALL BEARING 6900ZZ	1	PC.
033			226635-1	HELICAL GEAR 15	1	PC.
034			631550-0	LED CIRCUIT	1	PC.
035			262566-0	RUBBER SLEEVE 6	1	PC.
036			262563-6	SLEEVE 4	1	PC.
037			265999-8	TAPPING SCREW 4X25	1	PC.
038			318152-6	BLADE CASE	1	PC.
039			419935-8	BLOWER NOZZLE	1	PC.
040			266026-4	TAPPING SCREW BIND CT 4X12	1	PC.
041			210006-2	BALL BEARING 696ZZ	1	PC.
042			961006-2	RETAINING RING S-10	1	PC.
043			226640-8	HELICAL GEAR 23	1	PC.
044			257760-7	SLEEVE 10	1	PC.
045			285847-5	BEARING RETAINER 14-23	1	PC.
046			210069-8	BALL BEARING 6900DDW	1	PC.
047			213435-8	O RING 26	1	PC.
048			318087-1	BEARING BOX	1	PC.
049			324730-2	SPINDLE	1	PC.
050			265034-2	+ COUNTERSUNK HEAD SCREW M5X16	2	PC.
051			345470-9	THICKNESS RING	1	PC.
053			231835-0	TENSION SPRING 4	1	PC.
054			419934-0	SAFETY COVER	1	PC.
055			267127-1	FLAT WASHER 26	1	PC.
056			257938-2	RETAINING RING(EXT) WR-26	1	PC.
057			224408-6	INNER FLANGE 30	1	PC.
058			224404-4	OUTER FLANGE 30	1	PC.
059			266458-5	HEX.SOCKET HEX.BOLT M6X18	1	PC.
060			961014-3	STOP RING E-8	1	PC.
061			272229-0	LEVER 40	1	PC.
062			252159-1	HEX. NUT M6	1	PC.
063			941151-9	FLAT WASHER 6	1	PC.
064			331733-9	PIPE 6	1	PC.
065			252103-8	HEX. LOCK NUT M5-8	1	PC.

Item No	Type	Ref	Part No	Description	Qty	Unit
066			158253-6	BASE COMPLETE	1	PC.
067			265056-2	+ PAN HEAD SCREW M5	1	PC.
068			266405-6	FLAT H.SQUARE NECK BOLT M6X75	1	PC.
069			266225-8	H.S.SET SCREW(FLAT POINT)M6X8	1	PC.
070			251919-8	CAP SQUARE NECK BOLT M6X20	1	PC.
071			251896-4	SCREW M5X20	1	PC.
072			231007-7	COMPRESSION SPRING 6	1	PC.
073			941151-9	FLAT WASHER 6	1	PC.
074			252133-9	HEX. NUT M6	1	PC.
075			272251-7	LEVER 30	1	PC.
076			961014-3	STOP RING E-8	1	PC.
077			267231-6	FLAT WASHER 9	1	PC.
078			620260-4	CONTROLLER	1	PC.
<u>ACCESSORIES</u>			- Visit www.makita.ca for more accessories information -			
A01			164095-8	GUIDE RULE (RIP FENCE)	1	PC.
A02			783203-8	HEX. WRENCH 5	1	PC.
A03			A-94904	5-3/8" CT BLADE 16T 5/8"	1	PC.
A04			-----	BATTERY CHARGER		
A05			-----	18V LI-ION BATTERY		
A06			141485-2	PLASTIC CASE COMPLETE	1	PC.
		INC.	163455-1	LATCH	2	PC.
		INC.	419360-3	HANDLE	1	PC.
A07			-----	LI-ION BATTERY ACCESSORIES		
A08			194415-2	DUST NOZZLE SET	1	PC.