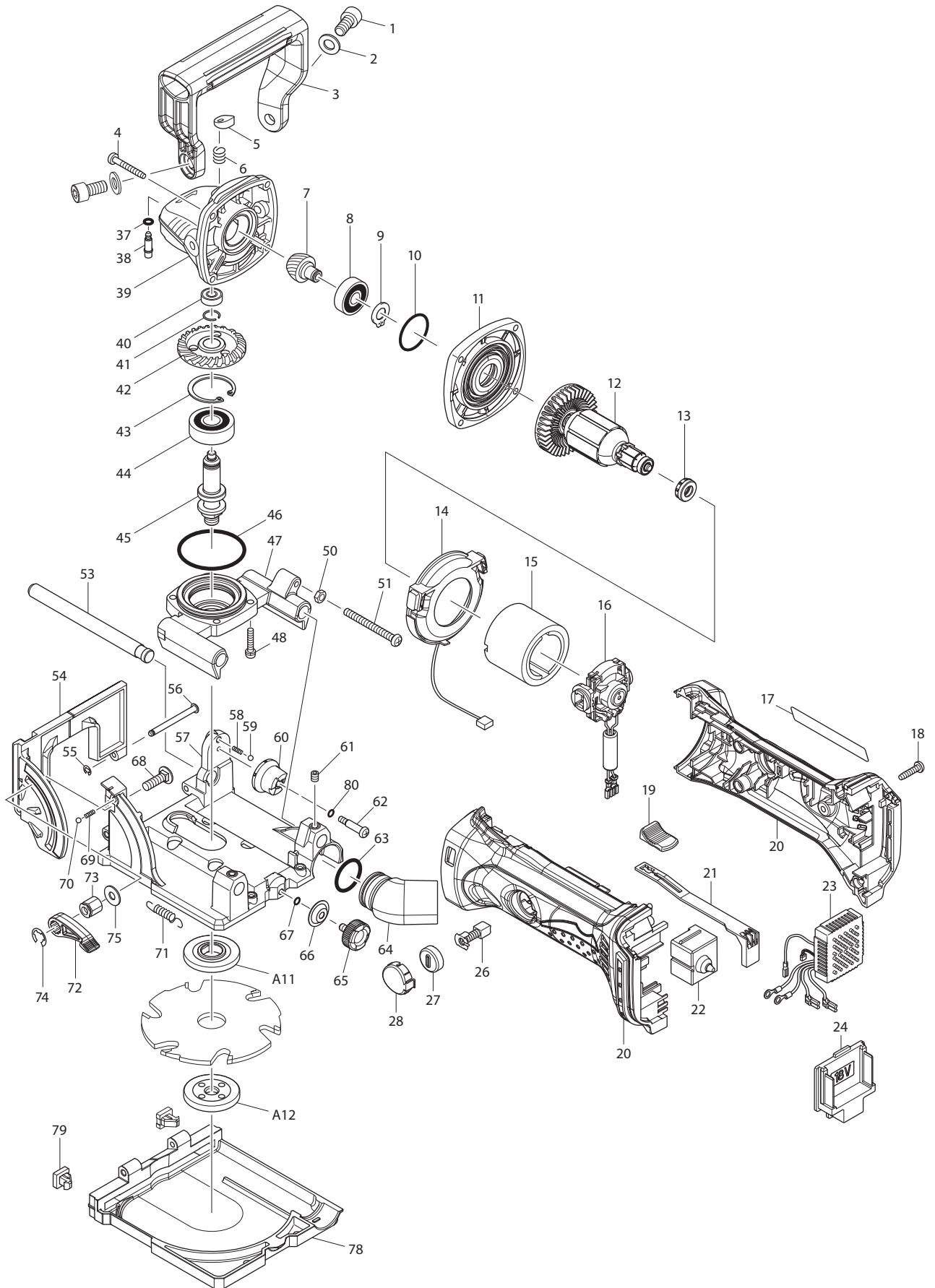




04 - 2014
DPJ180Z
18V PLATE JOINER



| Item No | Type | Part No | Description | Qty | Unit |
|---------|------|----------|----------------------------------------|-----|------|
| 1 | | 922422-3 | HEX. SOCKET HEAD BOLT M8X16 | 2 | PC. |
| 2 | | 941202-8 | FLAT WASHER 8 | 2 | PC. |
| 3 | | 453219-4 | GRIP | 1 | PC. |
| 4 | | 266361-0 | TAPPING SCREW 4X30 | 4 | PC. |
| 5 | | 417771-6 | PIN CAP | 1 | PC. |
| 6 | | 233072-2 | COMPRESSION SPRING 8 | 1 | PC. |
| 7 | | 227597-6 | SPIRAL BEVEL GEAR 11 | 1 | PC. |
| 8 | | 210042-8 | BALL BEARING 629LLB | 1 | PC. |
| 9 | | 961005-4 | RETAINING RING S-9 | 1 | PC. |
| 10 | | 213445-5 | O-RING 26 | 1 | PC. |
| 11 | | 317821-6 | GEAR HOUSING COVER | 1 | PC. |
| 12 | | 619295-0 | ARMATURE | 1 | PC. |
| | INC. | | Item No. 7-11 | | |
| 13 | | 421977-0 | RUBBER RING 13 | 1 | PC. |
| 14 | | 631714-6 | LED CIRCUIT | 1 | PC. |
| 15 | | 638627-2 | YOKE UNIT | 1 | PC. |
| 16 | | 638448-2 | ENDBELL COMPLETE | 1 | PC. |
| 17 | | 815T35-6 | NAME PLATE F/DPJ180 | 1 | PC. |
| 18 | | 266326-2 | TAPPING SCREW 4X18 | 5 | PC. |
| 19 | | 419566-3 | SWITCH KNOB | 1 | PC. |
| 20 | | 187839-9 | HOUSING SET | 1 | SET |
| | INC. | 263005-3 | RUBBER PIN 6 | 2 | PC. |
| 21 | | 419519-2 | SWITCH LEVER | 1 | PC. |
| 22 | | 650579-7 | SWITCH 1246.3223 | 1 | PC. |
| 23 | | 620243-4 | CONTROLLER | 1 | PC. |
| 24 | | 644808-8 | TERMINAL | 1 | PC. |
| 26 | | 195018-5 | CARBON BRUSH CB-430 2PC/SET (W/ORIGIN) | 1 | SET |
| 27 | | 643954-4 | BRUSH HOLDER CAP | 2 | PC. |
| 28 | | 419518-4 | HOLDER CAP COVER | 2 | PC. |
| 37 | | 213960-9 | O RING 5 | 1 | PC. |
| 38 | | 256496-5 | SHOULDER PIN 4 | 1 | PC. |
| 39 | | 141400-6 | GEAR HOUSING COMPLETE | 1 | PC. |
| | INC. | 263002-9 | RUBBER PIN 4 | 1 | PC. |
| 40 | | 210033-9 | BALL BEARING 696ZZ | 1 | PC. |
| 41 | | 233950-6 | RING SPRING 11 | 1 | PC. |
| 42 | | 227598-4 | SPIRAL BEVEL GEAR 36 | 1 | PC. |
| 43 | | 962151-6 | RETAINING RING R-32 | 1 | PC. |
| 44 | | 211129-9 | BALL BEARING 6201DDW | 1 | PC. |
| 45 | | 326120-5 | SPINDLE | 1 | PC. |
| 46 | | 213622-9 | O RING 45 | 1 | PC. |
| 47 | | 318812-0 | BEARING BOX | 1 | PC. |
| 48 | | 911136-9 | PAN HEAD SCREW M4X20 | 4 | PC. |
| 50 | | 931203-4 | HEX. NUT M5 | 1 | PC. |
| 51 | | 266741-0 | PAN HEAD SCREW M5X50 | 1 | PC. |
| 53 | | 326145-9 | ROD 10 | 2 | PC. |
| 54 | | 141247-8 | FENCE COMPLETE | 1 | PC. |
| 55 | | 961017-7 | STOP RING E-3 | 2 | PC. |
| 56 | | 256689-4 | PIN 4 | 2 | PC. |
| 57 | | 318813-8 | BASE | 1 | PC. |
| 58 | | 231282-5 | COMPRESSION SPRING 2.4 | 1 | PC. |
| 59 | | 216001-0 | STEEL BALL 3.5 | 1 | PC. |
| 60 | | 318814-6 | STOPPER | 1 | PC. |
| 61 | | 266264-8 | H.S.SET SCREW(FLAT POINT)M5X6 | 2 | PC. |
| 62 | | 266738-9 | +PAN HEAD SCREW M4 | 1 | PC. |
| 63 | | 213008-7 | O RING 22.4 | 1 | PC. |
| 64 | | 415252-4 | DUST NOZZLE | 1 | PC. |
| 65 | | 265785-7 | THUMB SCREW M5X10 | 1 | PC. |
| 66 | | 232131-9 | LEAF SPRING | 1 | PC. |
| 67 | | 213023-1 | O RING 4 | 1 | PC. |
| 68 | | 266737-1 | FLAT HEAD SQ. NECK BOLT M6X20 | 1 | PC. |
| 69 | | 231282-5 | COMPRESSION SPRING 2.4 | 1 | PC. |
| 70 | | 216001-0 | STEEL BALL 3.5 | 1 | PC. |

| Item No | Type | Part No | Description | Qty | Unit |
|-----------------------------------------------------------------------------------------------------------|------|----------|-------------------------------------------------|-----|------|
| 71 | | 231795-6 | TENSION SPRING 8 | 2 | PC. |
| 72 | | 272263-0 | LEVER 40 | 1 | PC. |
| 73 | | 252159-1 | HEX. NUT M6 | 1 | PC. |
| 74 | | 961014-3 | STOP RING E-8 | 1 | PC. |
| 75 | | 253804-1 | FLAT WASHER 6 | 1 | PC. |
| 78 | | 318845-5 | BLADE COVER | 1 | PC. |
| 79 | | 424479-5 | RUBBER SPIKE | 2 | PC. |
| 80 | | 213023-1 | O RING 4 | 1 | PC. |
| D01 | | 652045-0 | +PAN HEAD SCREW M3.5X5 | 2 | PC. |
| E01 | | 804C80-4 | CAUTION LABEL | 1 | PC. |
| <u>ACCESSORIES</u> | | | | | |
| - See catalogue or visit www.makita.ca for more optional accessories - | | | | | |
| A01 | | 123148-2 | ANGLE GUIDE ASSY (See Parts Breakdown 123148-2) | 1 | PC. |
| | INC. | 266736-3 | HEX BOLT M6X20 | 1 | PC. |
| | INC. | 317049-6 | CLAMP | 1 | PC. |
| | INC. | 141245-2 | ANGLE GUIDE COMPLETE (N/A as individually) | 1 | PC. |
| | INC. | 253804-1 | FLAT WASHER 6 | 1 | PC. |
| | INC. | 272263-0 | LEVER 40 | 1 | PC. |
| | INC. | 252159-1 | HEX. NUT M6 | 1 | PC. |
| | INC. | 961014-3 | STOP RING E-8 | 1 | PC. |
| | INC. | 271616-0 | THUMB 20 | 1 | PC. |
| | INC. | 232278-9 | LEAF SPRING TYPE 2 (TYPE 1# 232130-1) | 1 | PC. |
| | INC. | 253186-1 | FLAT WASHER 7 | 1 | PC. |
| | INC. | 226217-9 | SPUR GEAR 16 | 1 | PC. |
| | INC. | 961017-7 | STOP RING E-3 | 2 | PC. |
| A02 | | 123150-5 | DUST BAG ASSEMBLY | 1 | PC. |
| | INC. | 410602-8 | FASTENER | 1 | PC. |
| A03 | | 415579-2 | SET PLATE 4 | 1 | PC. |
| A04 | | A-95118 | 4" C.T. CUTTER BLADE 6T, 22M | 1 | PC. |
| A05 | | 782401-1 | LOCK NUT WRENCH 20 | 1 | PC. |
| A06 | | ----- | BATTERY CHARGER | | |
| A07 | | ----- | 18V LI-ION BATTERY | | |
| A08 | | ----- | LI-ION BATTERY ACCESSORIES | | |
| A09 | | 141533-7 | PLASTIC CARRYING CASE COMPLETE | 1 | PC. |
| | INC. | 162315-4 | LATCH | 2 | PC. |
| | INC. | 452137-3 | HANDLE | 1 | PC. |
| | INC. | 452143-8 | SHAFT | 2 | PC. |
| | INC. | 453489-5 | INSIDE LID | 1 | PC. |
| A10 | | 804C40-6 | MODEL NO. LABEL F/DPJ180RFE | 1 | |
| A11 | | 224280-6 | INNER FLANGE 40 | 1 | PC. |
| A12 | | 224505-8 | LOCK NUT 10-40 | 1 | PC. |
| A13 | | ----- | PLATE JOINER BISCUITS | | |