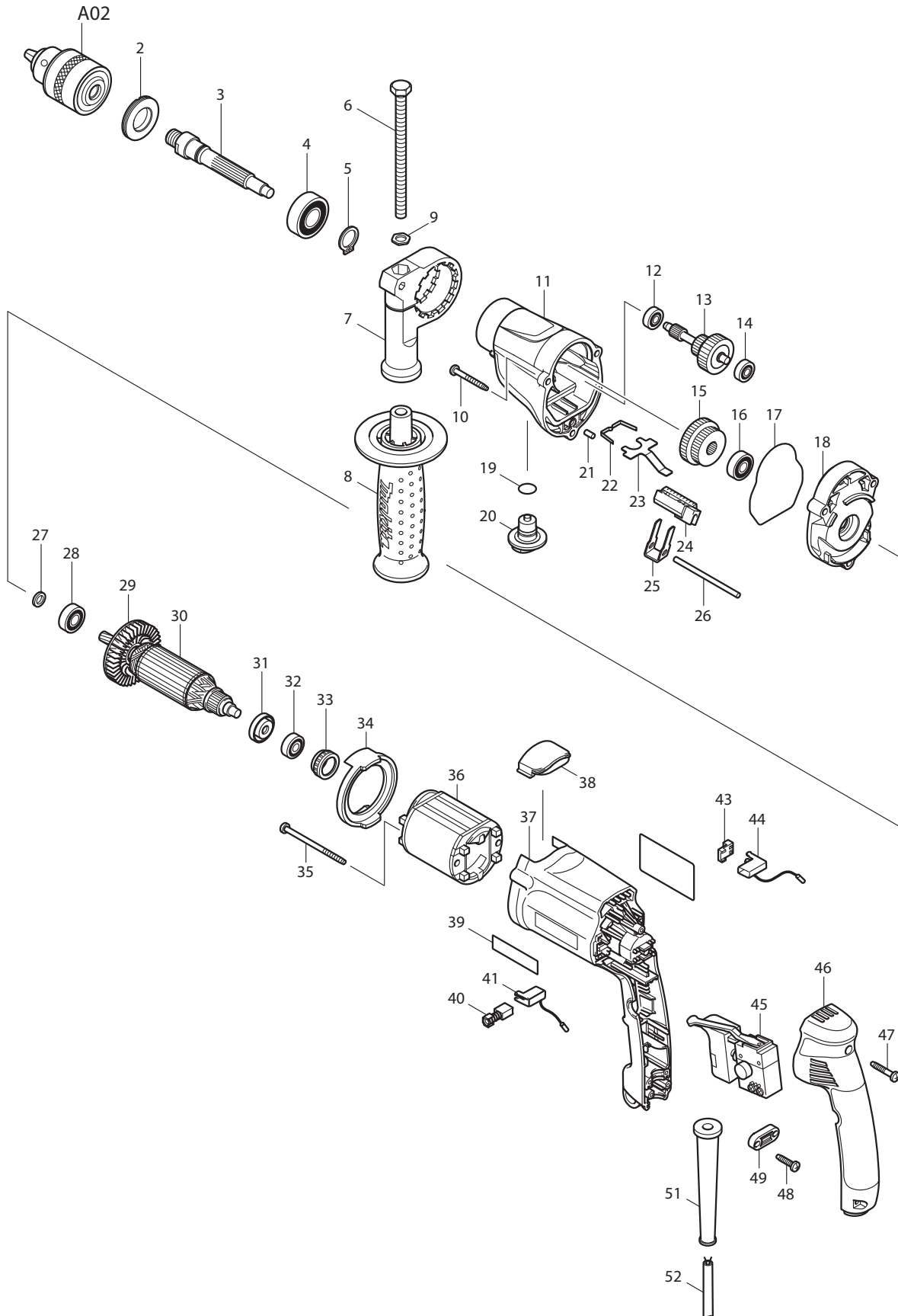




01 - 2010
DP4010
1/2" 2-SPEED DRILL



Item No.	Type	Part No.	Description	Qty	Unit
002		285806-9	BEARING RETAINER 19-36	1	PC.
003		324835-8	SPINDLE	1	PC.
004		211206-7	BALL BEARING 6202LLB	1	PC.
005		961055-9	RETAINING RING S-15	1	PC.
006		921923-8	HEX. BOLT M8X120	1	PC.
007		417630-4	GRIP BASE	1	PC.
008	2	153503-4	GRIP 36 COMPLETE	1	PC.
009		345280-4	HEX. WASHER	1	PC.
010		266351-3	TAPPING SCREW 4X35	3	PC.
011		318187-7	GEAR HOUSING	1	PC.
012		210028-2	BALL BEARING 606ZZ	1	PC.
013		153622-6	GEAR COMPLETE	1	PC.
014		210028-2	BALL BEARING 606ZZ	1	PC.
015		227030-8	SPUR GEAR 29-37	1	PC.
016		210029-0	BALL BEARING 608ZZ	1	PC.
017		421810-6	SEAL RING	1	PC.
018		158412-2	GEAR HOUSING COVER COMPLETE	1	PC.
	INC.	263002-9	RUBBER PIN 4	1	PC.
019		213122-9	O RING 12	1	PC.
020		417805-5	CHANGE LEVER B	1	PC.
021		256251-5	PIN 4	1	PC.
022		232143-2	LEAF SPRING	1	PC.
023		345225-2	LOCK PLATE	1	PC.
024		417804-7	RACK 12	1	PC.
025		345223-6	CHANGE PLATE B	1	PC.
026		268092-7	PIN 4	1	PC.
027	1	262087-2	RING 8	1	PC.
	2	257857-2	RING 8	1	PC.
028		210005-4	BALL BEARING 608DDW	1	PC.
029		241881-5	FAN 52	1	PC.
030		517411-7	ARMATURE ASS'Y 115V	1	PC.
	INC.		Item No. 27,28,29,31,32		
031		681636-0	INSULATION WASHER	1	PC.
032		211021-9	BALL BEARING 607LLB	1	PC.
033		421494-0	RUBBER RING 19	1	PC.
034		417803-9	BAFFLE PLATE	1	PC.
035		266340-8	TAPPING SCREW 4X65	2	PC.
036		633525-5	FIELD 115V	1	PC.
037		417807-1	MOTOR HOUSING	1	PC.
038		450179-1	CAP	1	PC.
040	2	195007-0	CARBON BRUSH CB-407 2PC/SET (W/ ORIGIN)	1	SET
041		643989-5	BRUSH HOLDER	1	PC.
042		864024-8	DP4010 NAME PLATE	1	PC.
043		689111-0	SPACER	2	PC.
044		643988-7	BRUSH HOLDER	1	PC.
045		650524-2	SWITCH TG813ALB-2	1	PC.
046		153284-0	HANDLE COVER COMPLETE	1	PC.
	INC.	263002-9	RUBBER PIN 4	2	PC.
047		266374-1	TAPPING SCREW 4X25	3	PC.
048		266326-2	TAPPING SCREW 4X18	2	PC.
049		687123-7	STRAIN RELIEF	1	PC.
051		682559-5	CORD GUARD 8	1	PC.
052		664891-9	CORD W/PLUG 2P-18-2.5M, SJ	1	PC.

Item No.	Type	Part No.	Description	Qty	Unit
100		654121-6	TAB	1	PC.
101		410102-8	KEY HOLDER	1	PC.
<u>ACCESSORIES</u>					
A01		324219-0	DEPTH GAUGE	1	PC.
A02		193067-6	DRILL CHUCK & KEY SET	1	SET
	INC.		Item No. A03	1	PC.
A03		763430-3	CHUCK KEY S13	1	PC.