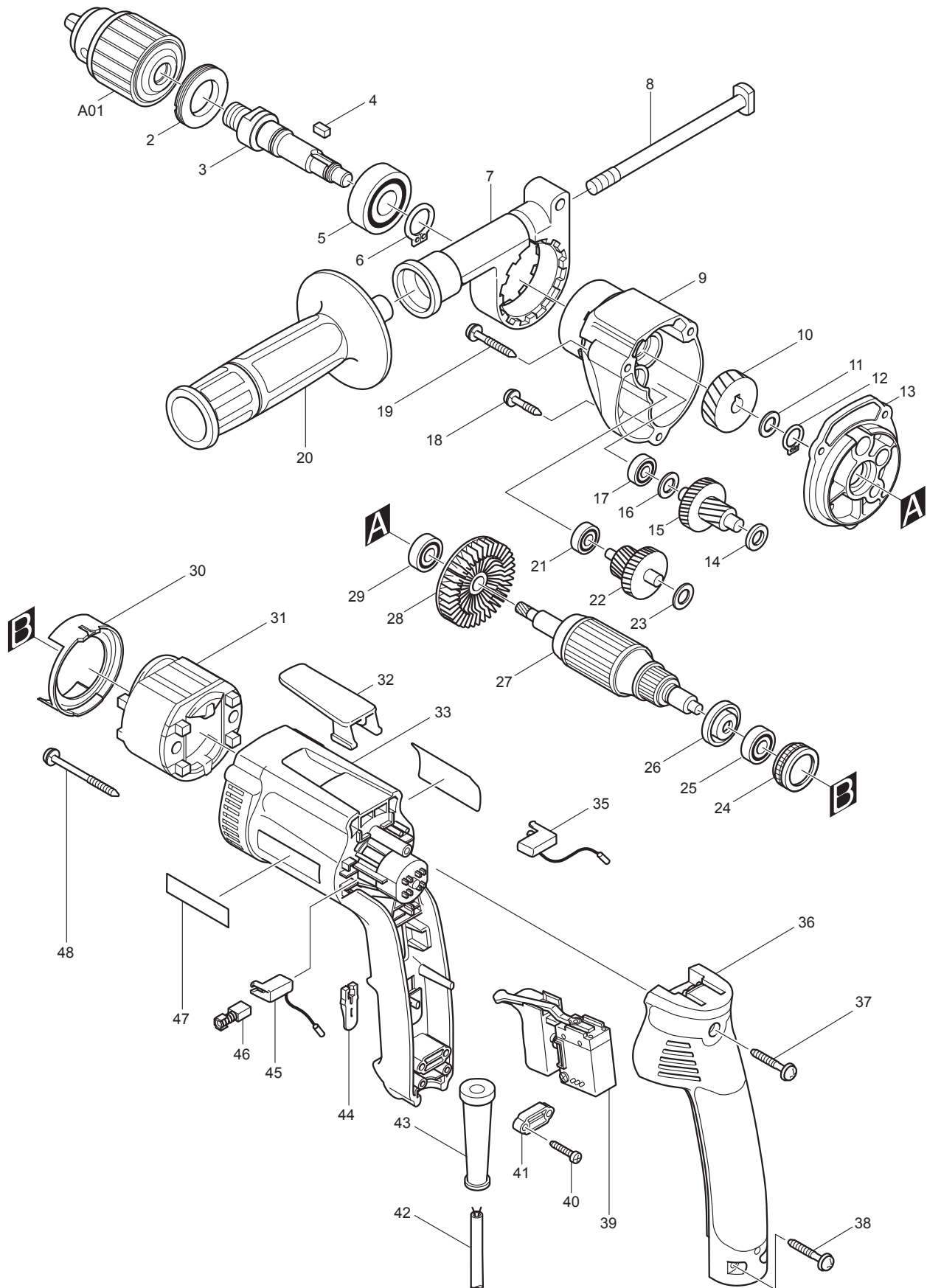




11 - 2009

DP4000

1/2" DRILL 0-900RPM



Item No.	Type	Part No.	Description (* see Service changes on the bottom)	Qty	Unit
2		285807-7	BEARING RETAINER 22-36	1	PC.
3		324039-2	SPINDLE	1	PC.
4		254202-2	KEY 4	1	PC.
5		211206-7	BALL BEARING 6202LLB	1	PC.
6		961055-9	RETAINING RING S-15	1	PC.
7		317401-8	GRIP BASE	1	PC.
8		266261-4	BOLT M8X130	1	PC.
9		317397-3	GEAR HOUSING	1	PC.
10		226529-0	HELICAL GEAR 26	1	PC.
11		267143-3	FLAT WASHER 11	1	PC.
12		961051-7	RETAINING RING S-11	1	PC.
13		152639-6	GEAR HOUSING COVER COMPLETE	1	PC.
	INC.	212004-2	NEEDLE BEARING 810	1	PC.
	INC.	212016-5	NEEDLE BEARING 609	2	PC.
14		253804-1	FLAT WASHER 6	1	PC.
15		226136-9	GEAR COMPLETE 7-32	1	PC.
16		253133-2	FLAT WASHER 7	1	PC.
17		211021-9	BALL BEARING 607LLB	1	PC.
18		266050-7	TAPPING SCREW 4X30	1	PC.
19		266069-6	TAPPING SCREW 4X45	2	PC.
20		152521-9	GRIP 36 COMPLETE	1	PC.
21		211012-0	BALL BEARING 606ZZ	1	PC.
22		226137-7	GEAR COMPLETE 20-34	1	PC.
23		253804-1	FLAT WASHER 6	1	PC.
24		421479-6	RUBBER RING 19	1	PC.
25		211021-9	BALL BEARING 607LLB	1	PC.
26		681636-0	INSULATION WASHER	1	PC.
27		517356-9	ARMATURE ASS'Y 115V	1	PC.
	INC.		Item No. 25,26,28,29		
28		241873-4	FAN 55	1	PC.
29		211031-6	BALL BEARING 608LLB	1	PC.
30		417356-8	BAFFLE PLATE	1	PC.
31		633466-5	FIELD 115V	1	PC.
32	1	416996-9	HOOK (TYPE1)	1	PC.
	2	417625-7	HOOK (TYPE2)	1	PC.
33		183270-7	MOTOR HOUSING SET	1	SET
	INC.		Item No. 47		
34		852532-1	NAME PLATE DP4000	1	PC.
35		643951-0	BRUSH HOLDER	1	PC.
36		152641-9	HANDLE COVER COMPLETE	1	PC.
	INC.	263002-9	RUBBER PIN 4	2	PC.
37		265999-8	TAPPING SCREW 4X25	1	PC.
38		265999-8	TAPPING SCREW 4X25	2	PC.
39		651991-4	SWITCH C3MA-2L-L	1	PC.
40		265995-6	TAPPING SCREW 4X18	2	PC.
41		687063-9	STRAIN RELIEF	1	PC.
42		664064-4	CORD W/PLUG 2P-18-2.5M, SJ	1	PC.
43		682559-5	CORD GUARD 8	1	PC.
44		417358-4	SLIDE LEVER	1	PC.
45		643948-9	BRUSH HOLDER	1	PC.
46	1	191927-6	CARBON BRUSH CB-407 2P/SET (W/O ORIGIN)	1	SET
	2	195007-0	CARBON BRUSH CB-407 2P/SET (W/ ORIGIN)	1	SET
47		819063-3	MAKITA LABEL	1	PC.
48		266060-4	TAPPING SCREW 4X65	2	PC.
49		442134-7	* GASKET (Added)	1	PC.
50		410102-8	KEY HOLDER	1	PC.
100		654593-5	SPLICE	2	PC.

ACCESSORIES

A01	1	193229-6	DRILL CHUCK S13 (TYPE1)	1	PC.
	2	193822-6	DRILL CHUCK S13 (TYPE2)	1	PC.

Item No.	Type	Part No.	Description (* see Service changes on the bottom)	Qty	Unit
	2	INC.	Item No. A02 - TYPE2 CHUCK KEY S13		
A02	1	763434-5	CHUCK KEY 10 (TYPE1)	1	PC.
	2	763430-3	CHUCK KEY S13 (TYPE2)	1	PC.
A03		134903-7	GRIP 36 ASS'Y	1	PC.
		INC.	Item No. 7,8,20		
A04		824595-7	PLASTIC CARRYING CASE	1	PC.
		INC.	LATCH	2	PC.
A05		321059-7	DEPTH GAUGE	1	PC.

SERVICE CHANGES

A Gasket has been added between the gear housing and the gear housing cover for further improvement in grease sealing construction.

